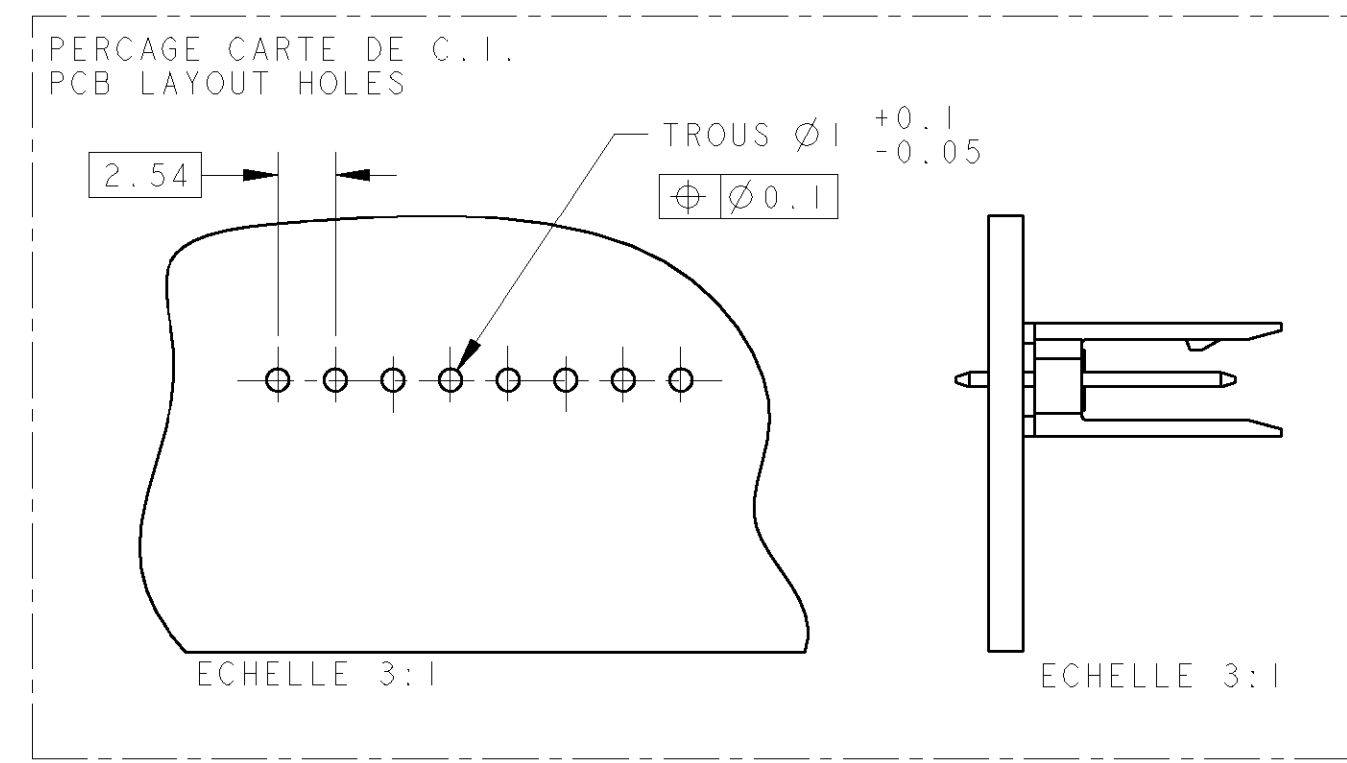
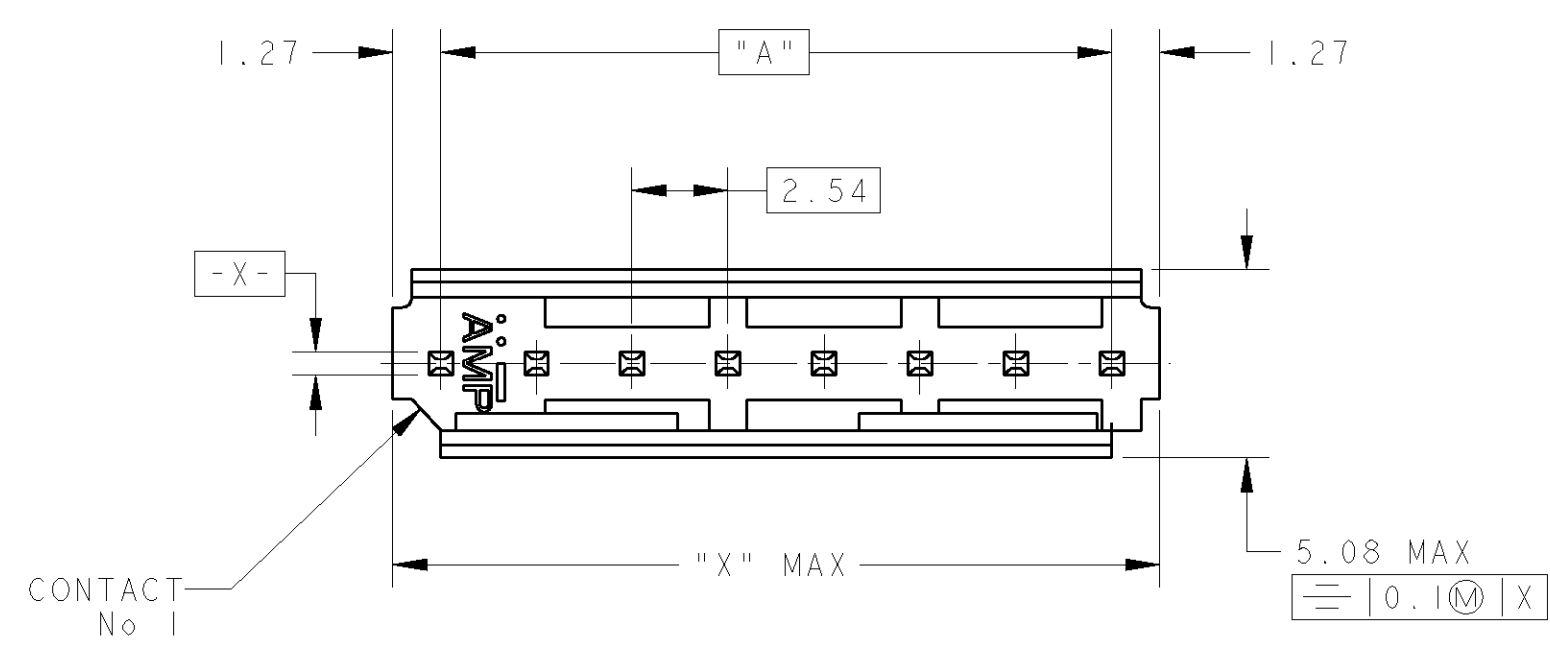
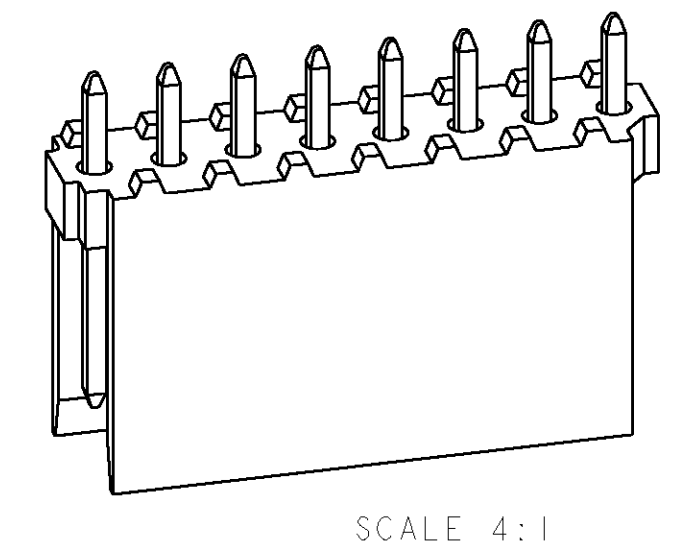
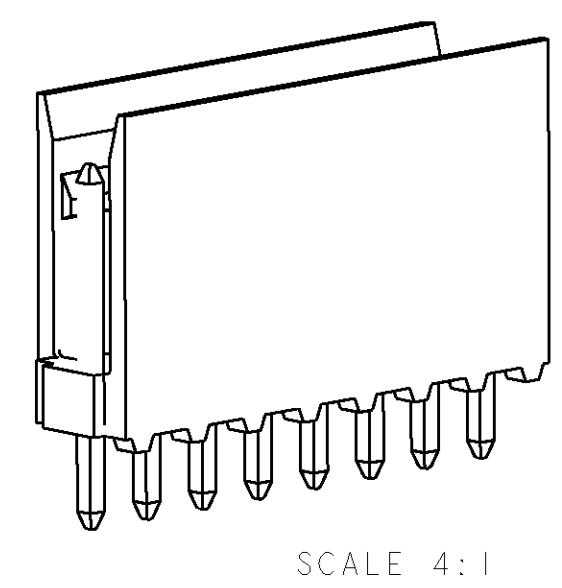
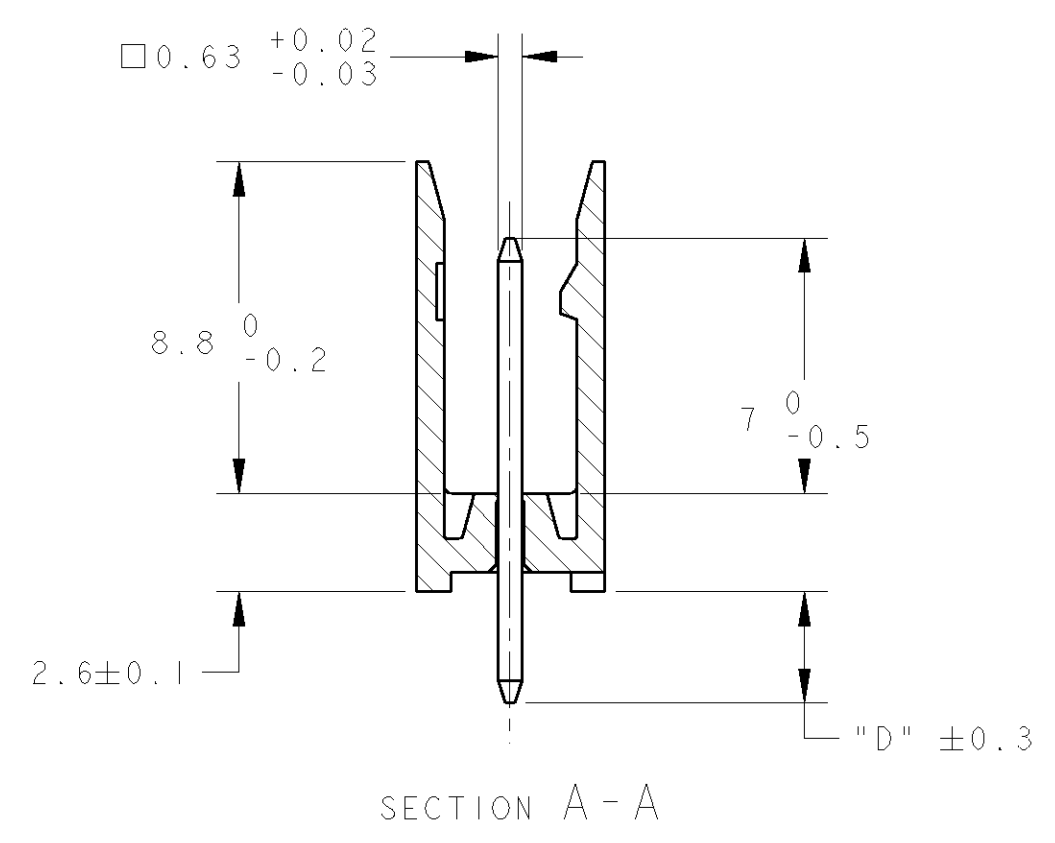
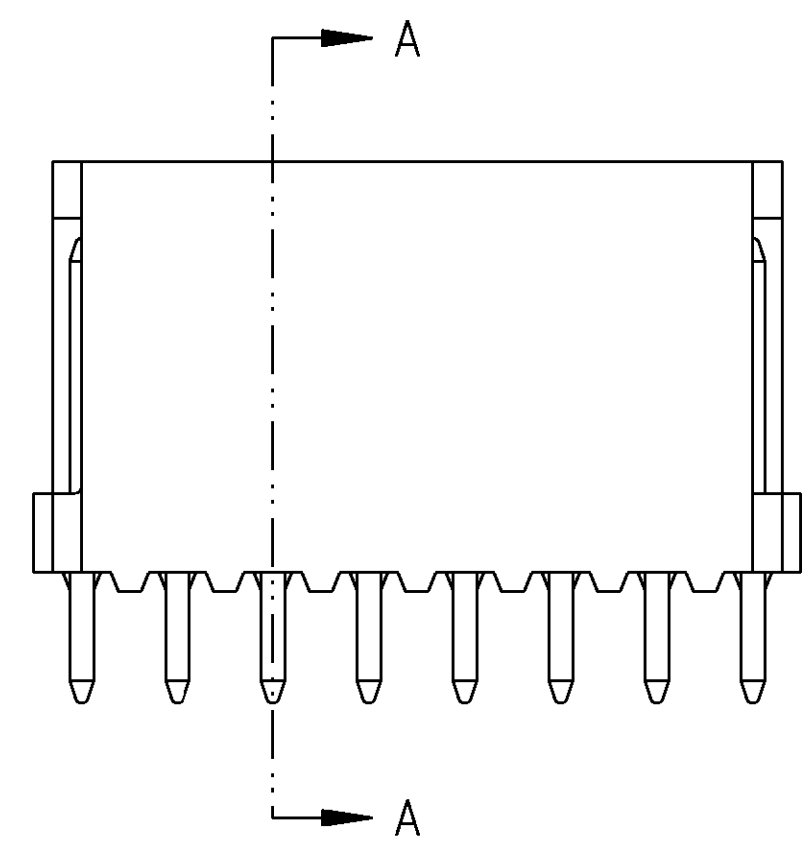


THIS DRAWING IS UNPUBLISHED.  
 DIFFUSION RESTREINTE  
 © COPYRIGHT 20 BY TYCO ELECTRONICS CORPORATION. ALL RIGHTS RESERVED.  
 LIBRE A LA DIFFUSION  
 TOUS DROITS RESERVES

LOC	DIST	REVISIONS					
F	7	P	LTR	DESCRIPTION MODIFICATIONS	DATE	DWN DESS.	APVD APP.
		H		CLARIFIE NOTE 3	12MAR2004	J.D	Y.P



45.72	43.18	18	1-281695-8 *
43.18	40.64	17	1-281695-7
38.10	35.56	15	1-281695-5 *
30.48	27.94	12	1-281695-2 *
25.40	22.86	10	1-281695-0 *
20.32	17.78	8	0-281695-8 *
17.78	15.24	7	0-281695-7
15.24	12.70	6	0-281695-6 *
12.70	10.16	5	0-281695-5 *
10.16	7.62	4	0-281695-4 *
7.62	5.08	3	0-281695-3 *
5.08	2.54	2	0-281695-2
C	A	Nb DE POS	PART NUMBER
DIMENSIONS			DIM "D" = 2.9

- NOTES:
- CES EMBASES SONT PREVUES POUR ETRE ACCOUPLEES AVEC LES FICHES "HE1402" SIMPLE RANGEE.  
(These headers are designed to be mated with "HE1402" connectors single row)
  - LES REFERENCES SUIVIES D'UN \* SONT LES VERSIONS NORMALISEES SELON LA NORME CEI 603-8  
(The parts numbers followed by \* are covered by the international standard IEC 603-8)
  - RETEVEMENT DES CONTACTS: ETAIN PUR SUR NICKEL  
(Contacts plating: lead free tin over nickel)
  - MATIERE PLASTIQUE: PBT CHARGE VERRE, UL-94V0  
(Plastic material: glassfilled PBT, UL-94V0)  
MATIERE DES CONTACTS: BRONZE PHOSPHOREUX  
(Contacts material: phosphor bronze)

THIS DRAWING IS A CONTROLLED DOCUMENT FOR TYCO ELECTRONICS CORPORATION IT IS SUBJECT TO CHANGE AND THE CONTROLLING ENGINEERING ORGANIZATION SHOULD BE CONTACTED FOR THE LATEST REVISION. CE PLAN EST UN DOCUMENT CONTRÔLÉ PAR AMP INCORPORATED. IL EST SUSCEPTIBLE D'ÊTRE REVISÉ. CONTACTER LE SERVICE TECHNIQUE D'AMP DE FRANCE POUR OBTENIR LA DERNIÈRE RÉVISION.		DWN/DESSINE 22NOV2000 C. COMBEDOUZON CHK/VERIFIE 22NOV2000 I. CORRIOL APVD/APROUVE 22NOV2000 Y. PETRONIN	AMP DE FRANCE 95301 PONTOISE
DIMENSIONS: mm	TOLERANCES UNLESS OTHERWISE SPECIFIED: (SUIV NB DE DECIMALES) 0 PLC/DEC: ± 1 PLC/DEC: ±0.3 2 PLC/DEC: ± 3 PLC/DEC: ± 4 PLC/DEC: ± ANGLES ±5°	NAME TITRE HEADERS HE1402, SINGLE ROW, STRAIGHT	
MATERIAL/MATIERE SEE/VOIR NOTE 4	FINISH/FINITION SEE/VOIR NOTE 3	PRODUCT SPEC SPEC. PRODUIT 108-15053 APPLICATION SPEC SPEC. APPLICATION	SIZE FORMAT A2
CUSTOMER DRAWING /PLAN CLIENT		CAGE CODE 00779	DRAWING NO No PLAN 281695
		WEIGHT MASSE APPROX. -	RESTRICTED TO RESERVE A -
		UNIFORMEMENT POUR REFERENCE	SCALE ECHELLE 5:1
		SHEET FEUILLE	OF DE
		REV H	