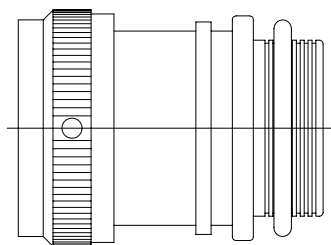


REVISIONS			
LTR	DESCRIPTION	DATE	APPROVED
C	REVISED PER ECN AD93031		



### CODE 15 TINEL-LOCK ADAPTER

NOTES:

1. THIS PRODUCT IS DESIGNED TO TERMINATE A BRAIDED CABLE SHIELD AND A HEAT SHRINKABLE LIPPED BOOT TO A CONNECTOR.
2. SEE CH00-0250-008 FOR ORDERING INFORMATION, MODIFICATIONS AND ADDITIONAL DIMENSIONS.
- ③ SEE DRAWING "TR" FOR DETAILS ON TINEL-LOCK RING. RINGS ARE DESIGNED TO BE HEATED ELECTRICALLY. ALL RINGS ARE MARKED WITH THERMOCHROMIC PAINT WHICH CHANGES COLOR WHEN INSTALLATION TEMPERATURE IS REACHED.
4. ADAPTER TO BE PERMANENTLY MARKED WITH CODE IDENT. NO. AND PART NO. LESS RING DESIGNATOR (E.G.: 06090-TXR15AB00-1206). RINGS SHALL BEAR NO MARKING.
- ⑤ FOR LARGER ENTRY SIZES, A 2 PIECE ADAPTER (TYPE II) IS SUPPLIED.
- ⑥ ADAPTER MATES TO MIL-C-5015, SOLDER CONTACT, MS3100, MS3101, MS3106, MS3107 AND MS3108 WITH ENDBELL.
- ⑦ ANTI-ROTATIONAL SET SCREW, THREE THREADED HOLES  $120^\circ \pm 5^\circ$  APART, SINGLE MATING SET SCREW SUPPLIED; AN565DC4H2, NOT REQUIRED FOR TYPE II ADAPTERS.

If this document is printed it becomes uncontrolled.  
Check for the latest revision.

### SPECIFICATION CONTROL DRAWING

UNLESS OTHERWISE SPECIFIED  
DIMENSIONS ARE IN INCHES.  
METRIC DIMENSIONS ARE  
IN BRACKETS.

DECIMALS  
.XXX ± — [ mm]  
.XX ± — [ mm]  
.X ± — [ mm]

ANGLES  
.X ± —

DRAWN J. BITTER	DATE 06-14-93
CHECKED	DATE
APPROVED W. C. GAY	DATE 07-14-93
APPROVED	DATE
CAD NAME \ACAD12\TXR15	

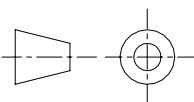
**tyco**  
**Electronics**

Tyco Electronics Corporation  
300 Constitution Drive  
Menlo Park, CA. 94025 U.S.A.

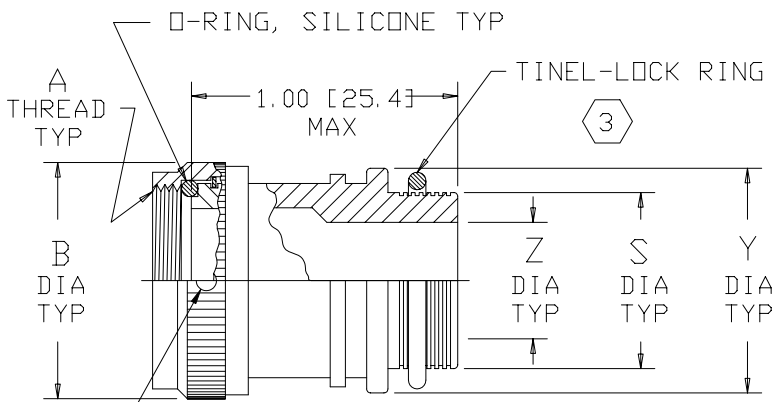
**Raychem**

TITLE  
TINEL-LOCK™ ADAPTER

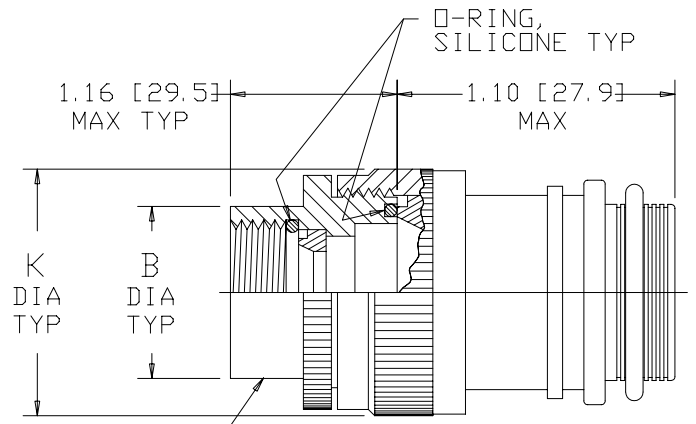
THIRD ANGLE  
PROJECTION



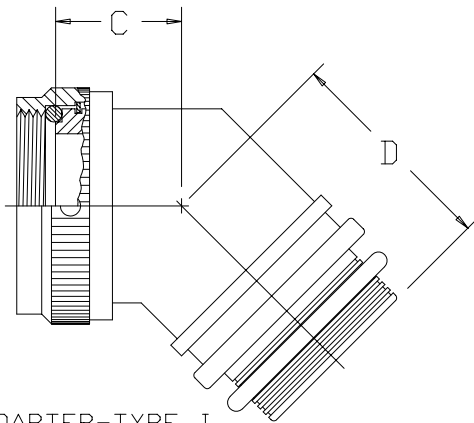
SIZE A	CODE IDENT. NO. 06090	DWG. NO. TXR15	REV C
DO NOT SCALE THIS DWG			SHEET 1 OF 3



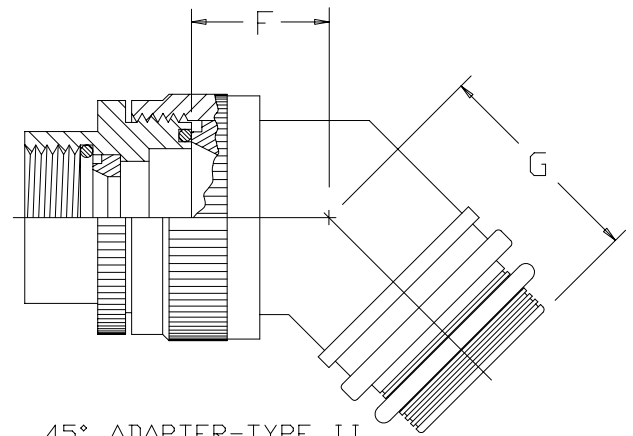
7 STRAIGHT ADAPTER-TYPE I



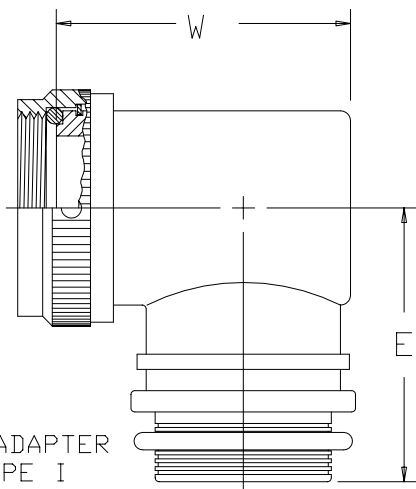
5 STRAIGHT ADAPTER-TYPE II



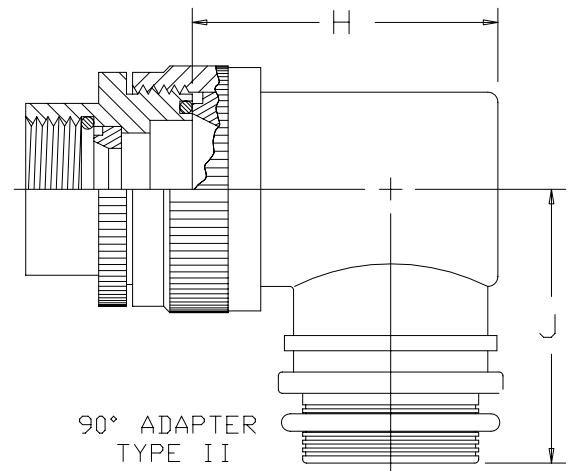
45° ADAPTER-TYPE I



45° ADAPTER-TYPE II



90° ADAPTER TYPE I



90° ADAPTER TYPE II

If this document is printed it becomes uncontrolled.  
Check for the latest revision.

SIZE	CODE	IDENT. NO.	DWG. NO.	REV
A		06090	TXR15	C
DO NOT SCALE THIS DWG			CAD NAME \ACAD12\TXR15-2	SHEET 2 OF 3

TABLE I							
ORDER NO.	SHELL SIZE <span style="border: 1px solid black; border-radius: 50%; padding: 2px;">6</span>	MAX ENTRY SIZE TYPE I <span style="border: 1px solid black; border-radius: 50%; padding: 2px;">5</span>	A UNIFIED THD CLASS 2B	B DIA MAX	C MAX	D MAX	E MAX
03	8S & 10S	05	.500-28 UNEF	.79 [20.1]	.83 [21.1]	.95 [24.1]	1.23 [31.2]
04	10SL, 12 & 12S	07	.625-24 UNEF	.91 [23.1]	.83 [21.1]	.95 [24.1]	1.23 [31.2]
06	14 & 14S	08	.750-20 UNEF	1.04 [26.4]	.86 [21.8]	.98 [24.9]	1.30 [33.0]
08	16 & 16S	10	.875-20 UNEF	1.16 [29.5]	.89 [22.6]	1.02 [25.9]	1.42 [36.1]
10	18	12	1.000-20 UNEF	1.34 [34.0]	.92 [23.4]	1.05 [26.7]	1.48 [37.6]
12	20 & 22	16	1.188-18 UNEF	1.47 [37.3]	.98 [24.9]	1.11 [28.2]	1.61 [40.9]
16	24 & 28	20	1.438-18 UNEF	1.82 [46.2]	1.08 [27.4]	1.17 [29.7]	1.86 [47.2]
20	32	24	1.750-18 UNS	2.16 [54.9]	1.11 [28.2]	1.23 [31.2]	1.92 [48.8]
24	36	24	2.000-18 UNS	2.44 [62.0]	1.23 [31.2]	1.27 [32.3]	2.05 [52.1]
28	40	24	2.250-16 UN	2.70 [68.6]	1.27 [32.3]	1.30 [33.0]	2.17 [55.1]

TABLE II									
ENTRY SIZE	Z +.010 -.020	S DIA	Y ±.015 [±0.38]	W MAX	F MAX	G MAX	H MAX	J MAX	K MAX
04	.250 [6.35]	.376 [9.56] .370 [9.39]	.550 [13.97]	1.24 [31.5]	N/A	N/A	N/A	N/A	N/A
05	.312 [7.92]	.438 [11.13] .432 [10.97]	.612 [15.54]	1.35 [34.3]	N/A	N/A	N/A	N/A	N/A
06	.375 [9.52]	.501 [12.73] .495 [12.57]	.675 [17.14]	1.41 [35.8]	.77 [19.6]	.93 [23.6]	1.19 [30.2]	1.16 [29.5]	.80 [20.3]
07	.437 [11.09]	.563 [14.31] .556 [14.12]	.737 [18.71]	1.47 [37.3]	.80 [20.3]	.95 [24.1]	1.38 [35.1]	1.22 [31.0]	.92 [23.4]
08	.500 [12.70]	.626 [15.91] .619 [15.72]	.800 [20.32]	1.54 [39.1]	.80 [20.3]	.95 [24.1]	1.38 [35.1]	1.22 [31.0]	.92 [23.4]
10	.625 [15.87]	.752 [19.11] .742 [18.84]	.925 [23.49]	1.63 [41.4]	.84 [21.3]	1.00 [25.4]	1.51 [38.4]	1.35 [34.3]	1.18 [30.0]
12	.750 [19.05]	.877 [22.28] .867 [22.02]	1.050 [26.67]	1.79 [45.5]	.86 [21.8]	1.01 [25.7]	1.63 [41.4]	1.40 [35.6]	1.35 [34.3]
14	.875 [22.23]	1.002 [25.46] .991 [25.17]	1.175 [29.84]	1.92 [48.8]	.88 [22.4]	1.04 [26.4]	1.78 [45.2]	1.46 [37.1]	1.41 [35.8]
16	1.000 [25.40]	1.127 [28.63] 1.116 [28.34]	1.300 [33.02]	2.04 [51.8]	.91 [23.1]	1.06 [26.9]	1.88 [47.8]	1.53 [38.9]	1.60 [40.6]
18	1.125 [28.57]	1.252 [31.81] 1.241 [31.52]	1.425 [36.19]	2.16 [54.9]	.93 [23.6]	1.09 [27.7]	2.01 [51.1]	1.59 [40.4]	1.66 [42.2]
20	1.250 [31.75]	1.377 [34.98] 1.366 [34.69]	1.550 [39.37]	2.29 [58.2]	.98 [24.9]	1.13 [28.7]	2.13 [54.1]	1.78 [45.2]	2.04 [51.8]
22	1.375 [34.93]	1.502 [38.15] 1.488 [37.79]	1.675 [42.55]	2.42 [61.5]	1.03 [26.2]	1.38 [35.1]	2.29 [58.2]	1.85 [47.0]	2.23 [56.6]
24	1.500 [38.10]	1.627 [41.33] 1.613 [40.97]	1.800 [45.72]	2.55 [64.8]	1.08 [27.4]	1.44 [36.6]	2.42 [61.5]	1.92 [48.8]	2.23 [56.6]

If this document is printed it becomes uncontrolled.  
Check for the latest revision.

SIZE	CODE IDENT. NO.	DWG. NO.	REV
A	06090	TXR15	C
DO NOT SCALE THIS DWG		CAD NAME \ACAD\TXR15-3	SHEET 3 OF 3