

**MICRO SWITCH**

FREEMONT ILLINOIS U.S.A.  
A DIVISION OF HONEYWELL

FED. MFG. CODE 91929

**SWITCH-TOGGLE**

CATALOG LISTING  
**104TL1-12 SERIES**

**CHART 1**

THIS DRAWING COVERS A PROPRIETARY ITEM AND IS THE PROPERTY OF MICRO SWITCH. A DIVISION OF HONEYWELL. THIS DRAWING IS NOT TO BE COPIED OR USED WITHOUT THE APPROVAL OF MICRO SWITCH.

104TL1-12 SERIES  
**CHART 1**

**M**

DRAWING  
NUMBER

ISSUE

REVISIONS

REPLACES

RELEASE NO. PR-15729

CHECK

CHECK

23 JUL 87

MAM

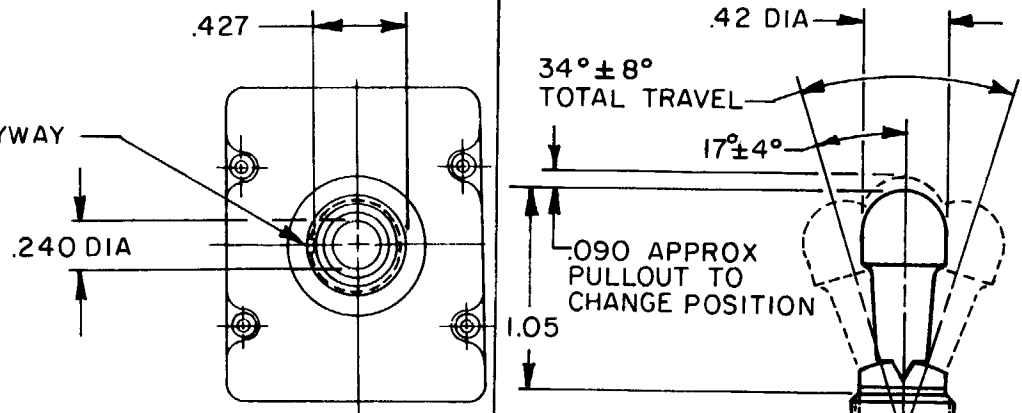
20 JUL 87

WJK

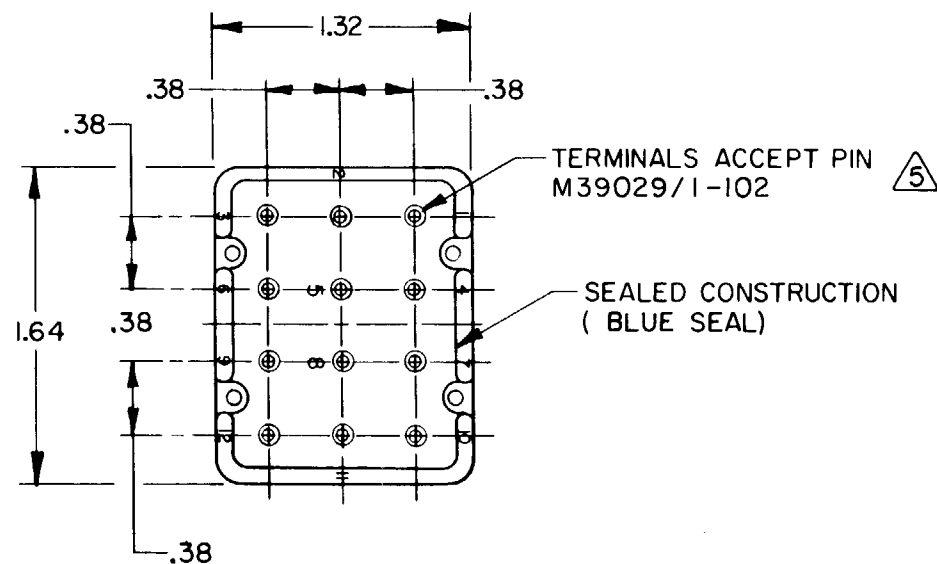
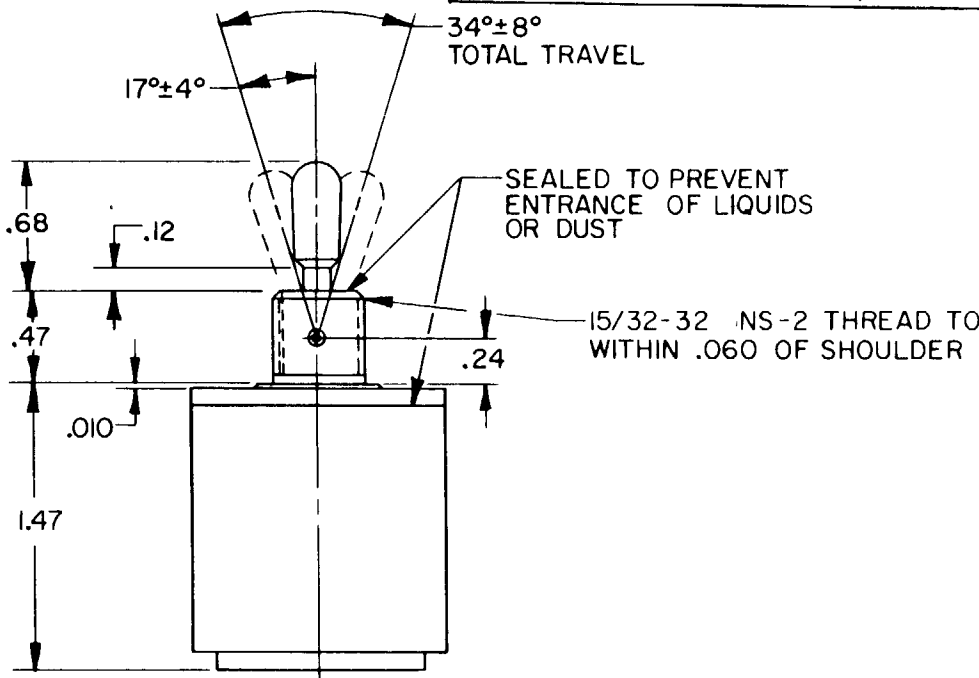
FO-32851-A

DRAWN

SCALE FULL	
DO NOT SCALE PRINT	
UNLESS OTHERWISE NOTED	
DIMENSIONS ARE IN INCHES	
<b>TOLERANCES ARE:</b>	
ONE PLACE (.0)	±.030
TWO PLACE (.00)	±.015
THREE PLACE (.000)	±.005
ANGLES	
WEIGHT	



**STYLE 2 LEVER**



MS NUMBER	CATALOG LISTING	AVAILABLE LOCKING COMBINATIONS FOR CONFIGURATION SEE LETTERED DETAILS	STYLE NUMBER	MILITARY RATING (AMPS)								
				RESISTIVE LOAD				INDUCTIVE LOAD				
				DC VOLTS	AC VOLTS	LAMP LOAD	INDUCTIVE LOAD	DC VOLTS	AC VOLTS	LAMP LOAD	INDUCTIVE LOAD	
27724-1	104TL1-12	NONE	1	28	125	250	125	250	28 VDC	125 VAC	28 VDC	125 VAC
27783-1	104TL1-12	A,B,D,E,F,G,H,J,K,L,M,N,P	2	20	.75	.5	15	6	5	4	12	15

Locking Type	Locking Description
"A"	LOCKED IN THREE POSITIONS
"B"	LOCKED IN CENTER AND EXTREME POSITION (KEYWAY SIDE)
"D"	LOCKED OUT OF CENTER POSITION
"E"	LOCKED IN CENTER POSITION
"F"	LOCKED IN EXTREME POSITION (OPPOSITE KEYWAY)
"G"	LOCKED IN EXTREME POSITION (KEYWAY SIDE)
"H"	LOCKED OUT OF CENTER AND EXTREME POSITION (KEYWAY SIDE)
"J"	LOCKED OUT OF CENTER AND EXTREME POSITION (OPPOSITE KEYWAY)
"K"	LOCKED IN CENTER AND EXTREME POSITION (OPPOSITE KEYWAY)
"L"	LOCKED OUT OF EXTREME POSITION (KEYWAY SIDE)
"M"	LOCKED OUT OF AND INTO EXTREME POSITION (OPPOSITE KEYWAY)
"N"	LOCKED OUT OF EXTREME POSITION (OPPOSITE KEYWAY)
"P"	LOCKED OUT OF AND INTO EXTREME POSITION (KEYWAY SIDE)

CIRCUIT MADE WITH TOGGLE LEVER IN		
KEYWAY SIDE	CENTER	OPPOSITE KEYWAY
MAINTAINED POSITION	MAINTAINED POSITION	MAINTAINED POSITION


**NOTES**

- SWITCHES ARE CAPABLE OF WITHSTANDING A TEMPERATURE OF 160°F CONTINUOUSLY AT FULL RATED LOAD
- CIRCUIT DESIGNATION, MICRO SWITCH CATALOG LISTING AND MILITARY PART NUMBER STAMPED ON SIDE OF SWITCH
- KEYWAY SHOWN ON LEFT SIDE
- FURNISHED UNASSEMBLED
- THE SEALING GROMMET SHALL SEAL ON A SMOOTH WIRE INSULATION OF .068 TO .103 DIAMETERS (14-16 GAGE)
- SUFFIX LETTER MUST BE ADDED FOR DESIRED TYPE TOGGLE LOCKING. SEE CHART FOR AVAILABLE LOCKING COMBINATIONS
- UNUSED TERM. HOLES MAY BE SEALED WITH PLUGS M83723/28-16