

Power Cord with IEC Connector C17, Angled



C17



70 °C

**Description**

Power Supply Cord / Interconnection Cord, Protection class II, Pin temperature 70 °C, Cable

Approvals

- UL License Number: E45116
- CSA License Number: 27325

References

[General Product Information](#)

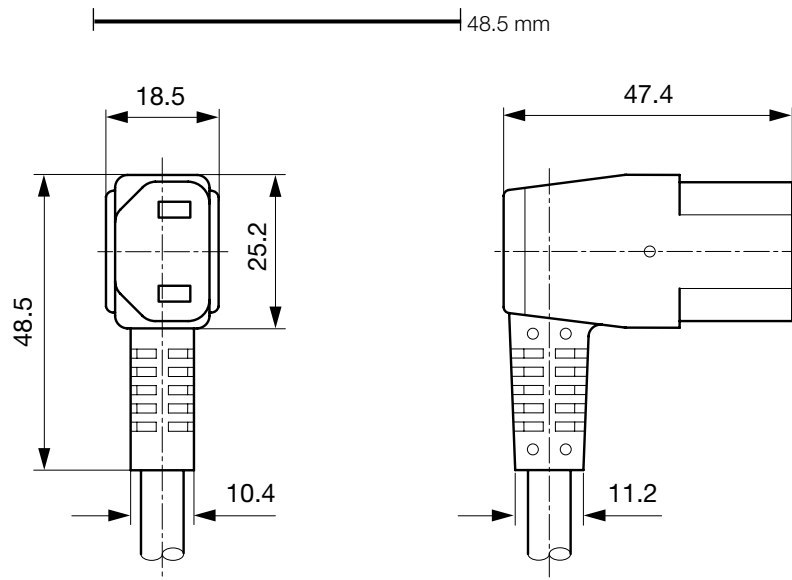
Weblinks

[Approvals](#), [RoHS](#), [CHINA-RoHS](#), [Mating Connectors](#), [e-Store](#), [Distributor-Stock-Check](#), [Accessories](#)

Technical Data

| | |
|---------------------------|---|
| Ratings IEC | 10A / 250VAC; 50Hz |
| Ratings UL/CSA | 10A / 250VAC; 60Hz |
| Dielectric Strength | > 3kVDC between L-N > 1.5kVAC between L/N-PE (1 min/50Hz) |
| Allowable Operation Temp. | -25 °C to 70 °C |
| Degree of Protection | from front side IP 20 acc. to IEC 60529 |
| Protection Class | Suitable for appliances with protection class 2 acc. to IEC 61140 |
| Terminal | moulded |
| Material: Housing | PVC, black or grey |

| | |
|-----------|---|
| Connector | C17 acc. to IEC/EN 60320-2-2 UL 498, CSA C22.2 no. 42 (for cold conditions) pin-temperature 70 °C, 10A, Protection Class 2 |
|-----------|---|

Dimensions

Config. Code

Product Configurator

Type - R - 3113 - D - Length

The characters are placeholders for the correspondingly keys of selections from the key tables.
Typ is placed for the connector type on the second end, length is the cord length in mm.

Type - R - 3113 - D - Length = Cord end 2

Cord end 2

zzzz, 2225, 2228, 2343, 4121, 607B, 608B, 609B

Type - R - 3113 - D - Length = cord type

cord type

Configuration key

| cord type | Configuration key |
|-------------------------------|-------------------|
| H03VV-F 2x0,75mm ² | A |
| H05VV-F 2x0,75mm ² | D |
| H05VV-F 2x1,0mm ² | F |
| SVT 2x18AWG | M |

Cord definition is detailed in general product information XXX

Type - R - 3113 - D - Length = Color

Color

Configuration key

| | |
|-----------------------|---|
| jet black; RAL9005 | A |
| silver grey; RAL7001 | B |
| standard color: black | |

Type - R - 3113 - D - Length = Cord length

Cord length

zzzz, 000500, 001000, 001500, 002000, 002500, 003000, 005000

Cord length in mm

Mating Inlets/Plugs

Category / Description

Appliance Inlet Overview complete



| | |
|--|--------|
| IEC Appliance Inlet C18, Screw-on Mounting, Rear Side, PCB Terminal | 1005 |
| IEC Appliance Inlet C18, Snap-in Mounting, Front Side, Solder or Quick-connect or Screw-on Terminal | 6015 |
| IEC Appliance Inlet C18, Screw-on Mounting, Front Side, Solder or Quick-connect, PCB or Screw Terminal | 6065 |
| IEC Appliance Inlet C18, Screw-on Mounting, Front Side, Solder or Quick-connect, PCB or Screw Terminal | 6066 |
| IEC Appliance Inlet C18, Screw-on Mounting, Front or Rear Side, Solder or Quick-connect Terminal | 6102-3 |
| Appliance Inlet further types to 3113 | ... |

Interconnection Cord Overview complete



| | |
|--|------|
| Interconnection Cord with IEC Plug G, Angled | 607B |
| Interconnection Cord with IEC Plug G, Angled | 608B |
| Interconnection Cord with IEC Plug G, Straight | 609B |
| Interconnection Cord further types to 3113 | |

Power Entry Module Overview complete



| | |
|--|------|
| IEC Appliance Inlet C18 with Fuseholder 1-pole | 1065 |
| IEC Appliance Inlet C18 with Fuseholder 1- or 2-pole | 1066 |
| IEC Appliance Inlet C18 with Fuseholder 1-pole | 6202 |
| Power Entry Module further types to 3113 | |