

Interconnection Cord with IEC Plug A, Angled

**Description**

Interconnection Cord, Protection class I, Pin temperature 70 °C, Cable

Approvals

- VDE Certificate Number: 115739
- UL File Number: E45116
- CSA File Number: 1020530

References**Weblinks**

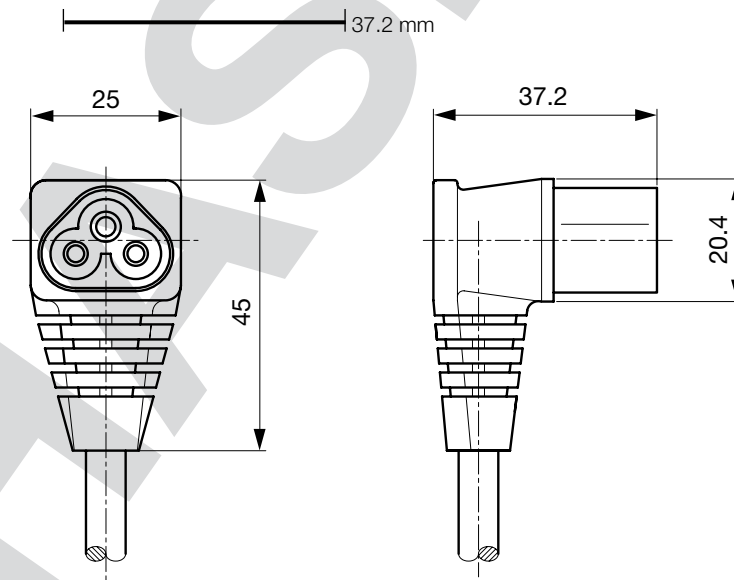
[pdf](#), [General Product Information](#), [Approvals](#), [RoHS](#), [CHINA-RoHS](#), [Mating Connectors](#), [e-Store](#), [SCHURTER-Stock-Check](#), [Distributor-Stock-Check](#), [Accessories](#)

Technical Data

Ratings IEC	2.5 A / 250 VAC; 50 Hz
Ratings UL/CSA	2.5 A / 250 VAC; 60 Hz
Dielectric Strength	> 4 kVDC between L-N > 2 kVAC between L/N-PE (1 min/50 Hz)
Allowable Operation Temp.	-25 °C to 70 °C
Degree of Protection	from front side IP 20 acc. to IEC 60529
Protection Class	Suitable for appliances with protection class 1 acc. to IEC 61140
Terminal	moulded
Material: Housing	PVC, black or grey

Plug

A acc. to IEC/EN 60320-1
UL 498, CSA C22.2 no. 42 (for cold conditions) pin-temperature 70 °C, 2.5 A, Protection Class 1

Dimensions

Config. Code

2705 - R - Type - D - Length

The characters are placeholders for the correspondingly keys of selections from the key tables.
Typ steht für die Dose bzw. 2. Seite, Länge ist die Leitungslänge in mm.

2705 - **R** - Type - D - Length = cord type

cord type	Configuration key
H03VV-F 3G0,75mm ²	C
H05VV-F 3G0,75mm ²	G
SVT 3x18AWG	N
SJT 3x18AWG	P

Cord definition is detailed in general product information XXX

2705 - R - Type - D - **Length** = Cord length

Cord length
zzzz, 000500, 001000, 001500, 002000, 002500, 003000, 005000

Cord length in mm

2705 - R - **Type** - D - Length = Cord end 2

Cord end 2
zzzz, 2512

2705 - R - Type - **D** - Length = Color

Color	Configuration key
jet black; RAL9005	A
silver grey; RAL7001	B

Mating Outlets/Connectors

Category / Description



[ConnectorOverview complete](#)

IEC Appliance Outlet B, Screw-on Mounting, Front Side, Solder Terminal	5888
--	------

[Connectorfurther types to2705](#)



[Power CordOverview complete](#)

Power Cord with IEC Connector C5, Angled	2512
--	------

Power Cord with IEC Connector C5, Straight	2530
--	------

[Power Cordfurther types to2705](#)