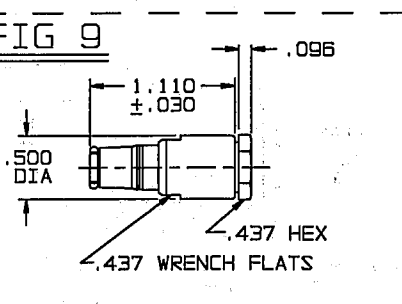
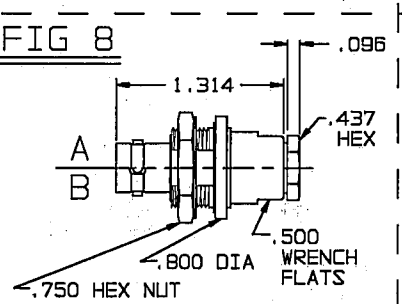
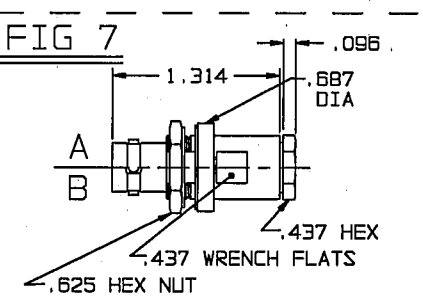
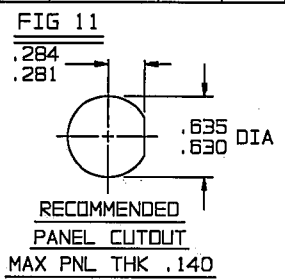
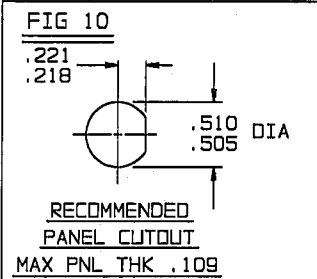
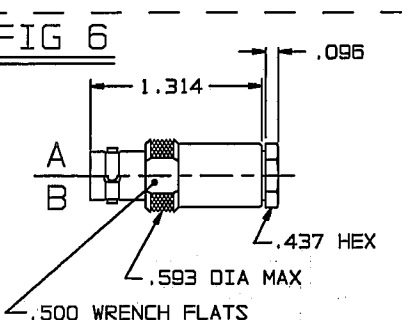
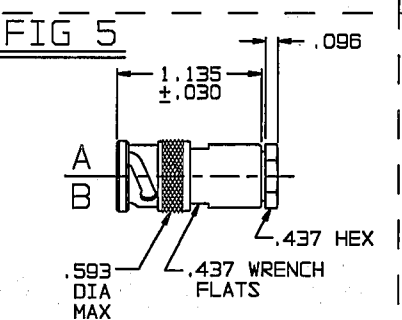
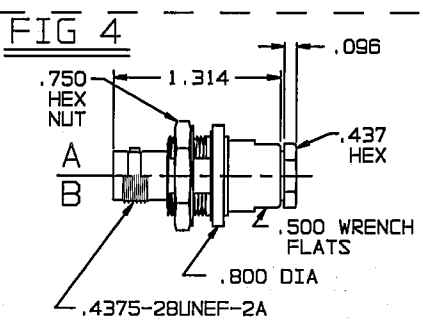
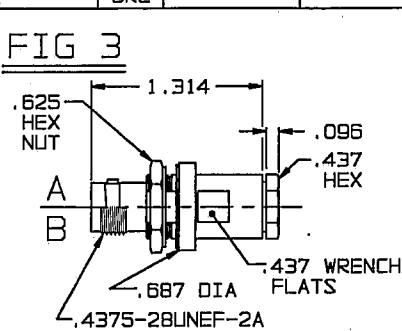
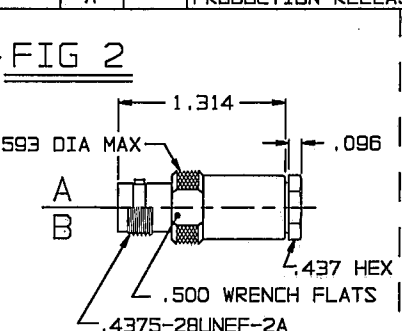
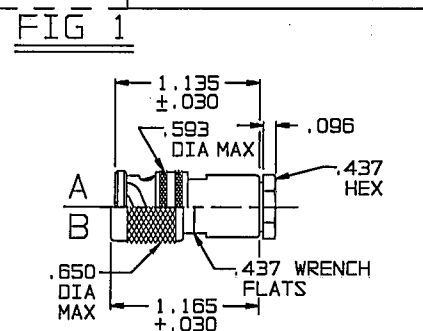


RED INDICATES ORIGINAL

DATA CONTAINED IN THIS DOCUMENT IS PROPRIETARY TO TROMPETER ELECTRONICS INC. AND SHALL NOT BE DISCLOSED, COPIED OR USED FOR PROCUREMENT OR MANUFACTURE WITHOUT EXPRESS WRITTEN PERMISSION.

REVISIONS			305-1327	SH
REV	ED	DESCRIPTION	DWN	APPROVED
A		PRODUCTION RELEASE	DKC	DATE

DASH NO	CONNECTOR TYPE	MATERIAL Δ	ASSEMBLE PER	FIG	MTG HDLE FIG
-1	PL75	310-0002-47	TAI-102	1A	—
-2	CJ70	3-0043-47		2A	—
-3	BJ79	3-0018-47		3A	10
-4	BJ74	3-0055-47		4A	11
-5(S)	PL375(S)	315-0011-47		1B	—
-6(S)	CJ370(S)	3-0066-47		2B	—
-7(S)	BJ379(S)	3-0074-47		3B	10
-8(S)	BJ374(S)	3-0073-47		4B	11
-9	PL74	310-0025-47		5A	—
-10	CJ70TL	3-0217-47		6A	—
-11	BJ79TL	3-0112-47		7A	10
-12	BJ74TL	3-0105-47		8A	11
-13	PL75FL	310-0008-47		5B	—
-14	CJ70FL	3-0101-47		6B	—
-15	BJ79FL	3-0052-47		7B	10
-16	BJ74FL	3-0099-47		8B	11
-17	PL73	310-0038-47		9	—



5 EXAMPLE OF COMPLETE P/N:
305-1327-1 T S

BASIC PART NO. — CONNECTOR TYPE DASH NO. —

OPTIONAL SAFETY WIRE HOLE (-5 THRU -8 ONLY) — SEE NOTE Δ

- 4** REPLACE THE CONE 8-1590-47 WITH CONE 305-0543-101
3. CONCENTRIC TWIAX/TRIAX, 2-LUG, 3-LUG, 4-LUG AND THREADED CABLE PLUGS/RECEPTACLES, INSULATED & NONINSULATED BULKHEAD MOUNT RECEPTACLES & PUSH-ON CABLE PLUGS FOR HELEX HITEMP CABLE NO. CF30P001XXX
2. FINISH TFS-1A (NICKEL)
1. ALL DIM ARE IN INCHES

6 POLARIZATION LETTER I.A.W MATERIAL CALL-OUT. NONE REQUIRED FOR STANDARD

QTY	DESCRIPTION	PART NUMBER	ITEM
TOL UNLESS SPECIFIED .XX ± .XXX ± .005 .XXXX ± ANGLES ±		TROMPETER ELECTRONICS, INC.	
		"70" SERIES-CF30P001XXX	
DWN	DKC 3-25-99	MATERIAL	CODE IDENT
CHK	MM 3/29/99		14949
ENGR			
APPR	JL 3.31.99	SCALE	DATE 4/5/99 SHEET

DRAWING NO. 305-1327
REV A