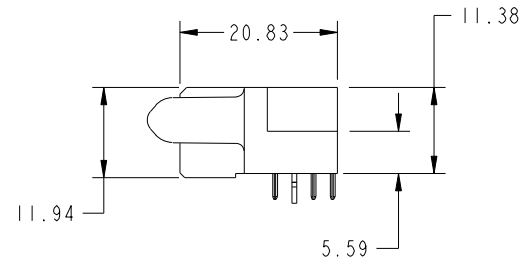
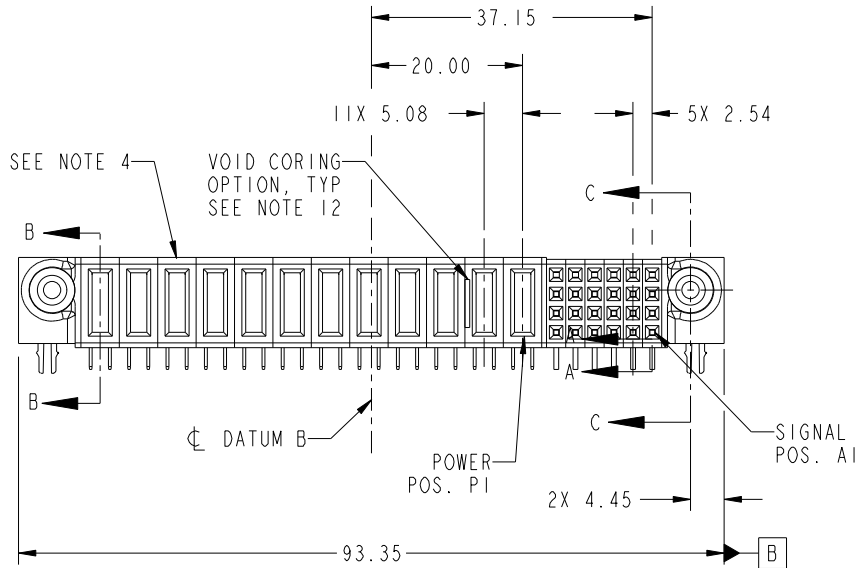
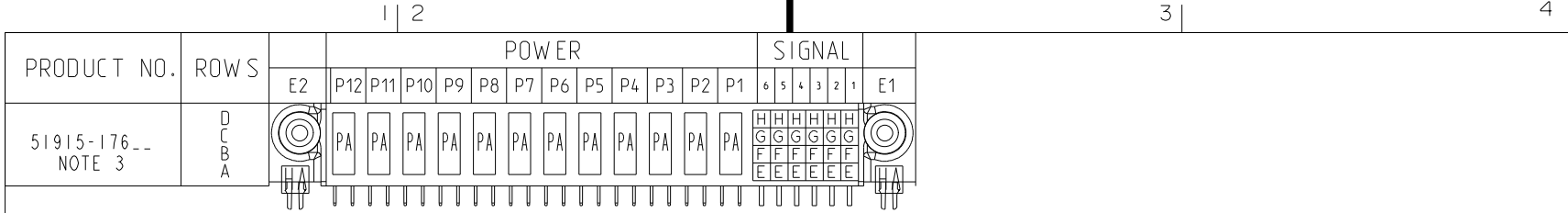


Tous droits strictement réservés. Reproduction ou communication a des tiers interdite sous quelque forme que ce soit sans autorisation écrite du propriétaire. Propriété de c.FCI. Droits de reproduction FCI.

All rights strictly reserved. Reproduction or issue to third parties in any form whatever is not permitted without written authority from the proprietor. Property of FCI. Copyright FCI.



CODE	DIM "M" MATING LENGTH	CONTACT TYPE
PA	[1.07]	POWER
H	[N/A]	SIGNAL
G	[N/A]	SIGNAL
F	[N/A]	SIGNAL
E	[N/A]	SIGNAL
HA	[N/A]	HOLD-DOWN

mat'l code				SEE NOTE 2		tolerances unless otherwise specified		CUSTOMER		 www.fciconnect.com	
lir	ecn no.	dr	date	linear	0.X ±0.5	COPY		projection		title	
A	DG08-0203	W D	08/04/08	angles	0.XX ±0.25	MM				24S + 12P R/A STB RECEPTACLE	
					0.XXX ±0.1	scale		product family		code	
				dr	0° ±2°	1:1		PwrBlade		213	
				enrg	Warren Du 07/29/08			size		sheet	
				enrg	Jerome Chen 07/29/08			A		1 of 4	
				chr	Gary Hsieh 07/29/08			51915-176			
				appd	Joseph Hsia 07/29/08						
sheet index	revision sheet	A 1	A 2	A 3	A 4						

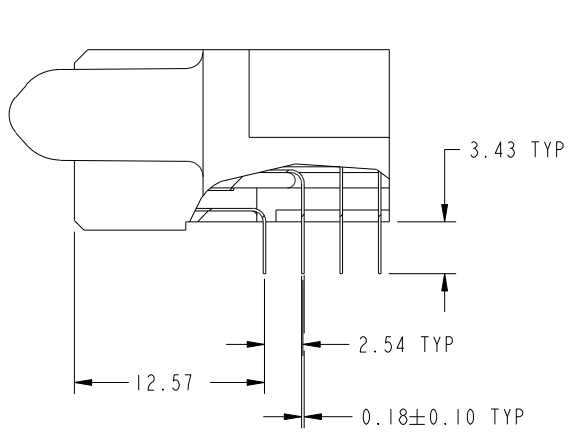
Tous droits strictement reserves. Reproduction ou communication a des tiers interdite sous quelque forme que ce soit sans autorisation ecrite du proprietaire. Propriete de c.FCI. Droits de reproduction FCI.

All rights strictly reserved. Reproduction or issue to third parties in any form whatever is not permitted without written authority from the proprietor. Property of FCI. Copyright FCI.

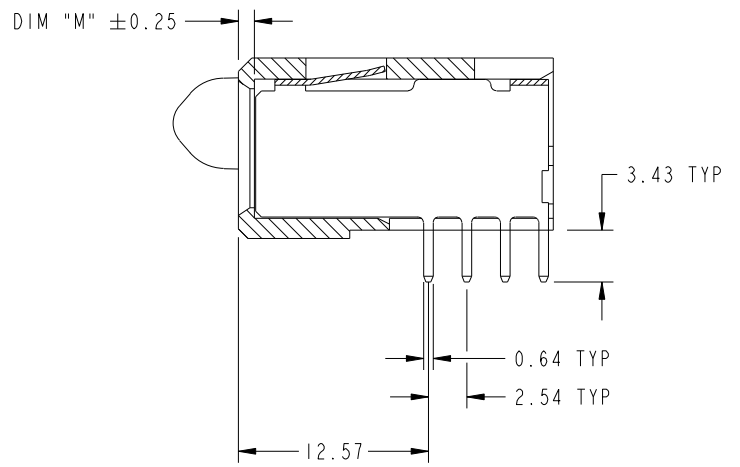


PRODUCT NUMBER

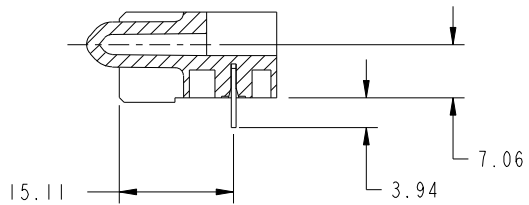
51915-176__
NOTE 3



BROKEN-OUT SECTION A-A
SCALE 2:1



BROKEN-OUT SECTION B-B
SCALE 2:1



SECTION C-C

mat'l code		SEE NOTE 2		tolerances unless otherwise specified		CUSTOMER		 www.fciconnect.com			
lir	ecn no.	dr	date	linear	0.X ±0.5	COPY		title 24S + 12P R/A STB RECEPTACLE	product family PwrBlade		
A					0.XX ±0.25	projection				size A	code 213
					0.XXX ±0.1						
				angles	0° ±2°	 MM					
				dr	Warren Du 07/29/08	scale 1:1		product family PwrBlade			
				enrg	Jerome Chen 07/29/08			size A			
				chr	Gary Hsieh 07/29/08			dwg no 51915-176			
				appd	Joseph Hsia 07/29/08			code 22556			
sheet index	revision sheet										

A

B

A

B

1 | 2

3 |

4

1 | 2

Pro/E

PDM: Rev: A

STATUS: Released

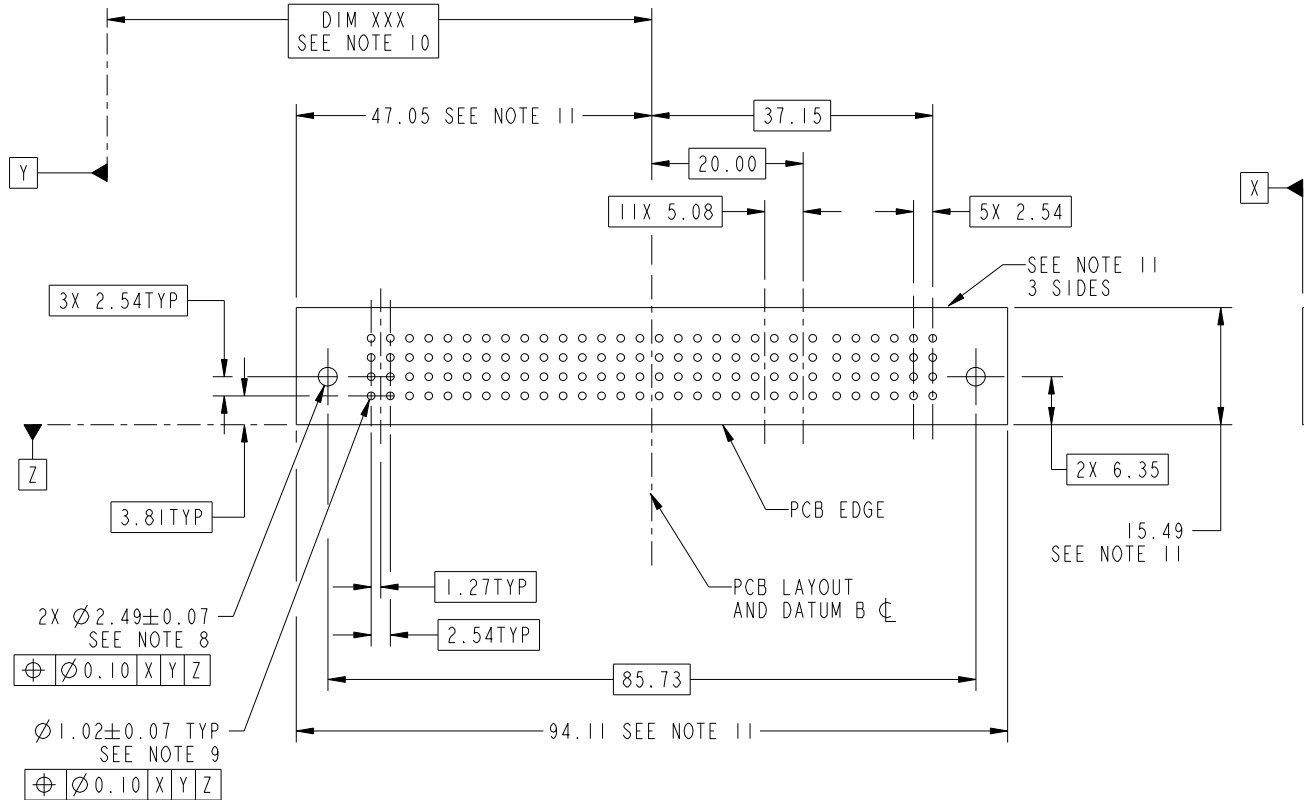
Printed: Dec 20, 2010

Tous droits strictement reserves. Reproduction ou communication a des tiers interdite sous quelque forme que ce soit sans autorisation ecrite du proprietaire. Propriete de c FCI. Droits de reproduction FCI.

All rights strictly reserved. Reproduction or issue to third parties in any form whatever is not permitted without written authority from the proprietor. Property of FCI. Copyright FCI.



PRODUCT NUMBER
51915-176__
NOTE 3



RECOMMENDED PCB LAYOUT

mat'l code		SEE NOTE		tolerances unless otherwise specified		CUSTOMER		 www.fciconnect.com	
ltr	ecn no.	dr	date	linear	0.X ± 0.5	COPY		title	
A				angles	0.XX ± 0.25	projection		24S + 12P R/A STB RECEPTACLE	
					0.XXX ± 0.1	 MM		product family	
				dr	0° ± 2°	scale		PwrBlade	
				enr	Warren Du 07/29/08	1:1		code	
				chr	Jerome Chen 07/29/08	A		213	
				appd	Gary Hsieh 07/29/08	51915-176		sheet	
					Joseph Hsia 07/29/08	3 of 4		3 of 4	
sheet index	revision sheet								

A

A

B

B

Tous droits strictement reserves. Reproduction ou communication a des tiers interdite sous quelque forme que ce soit sans autorisation ecrite du proprietaire. Propriete de c.FCI. Droits de reproduction FCI.

All rights strictly reserved. Reproduction or issue to third parties in any form whatever is not permitted without written authority from the proprietor. Property of FCI. Copyright FCI.



1 | 2

3

4

PRODUCT NUMBER

51915-176__
NOTE 3

NOTES:

1. DIMENSIONS AND TOLERANCES ARE IN ACCORDANCE WITH ASME Y14.5M, 1994 UNLESS OTHERWISE SPECIFIED.

CONNECTOR NOTES:

- 2. HOUSING MATERIAL: UL 94 V-0 GLASS FILLED HIGH-TEMP THERMOPLASTIC
POWER CONTACT MATERIAL: COPPER ALLOY
SIGNAL PIN MATERIAL: COPPER ALLOY
 - 3. PLATING:
51915-176, 51915-176LF PLATING SPEC. WAS SHOWN IN THE PRINT OF 10064183.
 - 4. MANUFACTURER'S NAME, P/N, AND DATE CODE TO APPEAR ON THIS SURFACE.
 - 5. PRODUCT SPECIFICATION GS-12-149.
APPLICATION SPECIFICATION BUS-20-067.
 - 6. PACKAGED IN TRAYS.
- PCB NOTES:
- 7. ALL HOLE DIAMETERS ARE FINISHED HOLE SIZE.
 - 8. MOUNTING HOLES, WHERE APPLICABLE, ARE UNPLATED.
 - 9. $\varnothing 1.151 \pm 0.025$ DRILLED HOLES PLATED WITH 0.008 MIN SnPb OR Sn OVER 0.03 TO 0.08 Cu PLATING TO ACHIEVE $\varnothing 1.02 \pm .07$ HOLE.
 - 10. "DIM XXX" TO BE DETERMINED BY THE CUSTOMER.
 - 11. CONNECTOR KEEP-OUT ZONE.
 - 12. THE VOID CORING IN BETWEEN POWER MODULES, SIGNAL MODULES AND END MODULES ARE OPTIONAL AND THE SHAPE MAY BE DIFFERENT FOR OPTIMIZE THE MOLDING PROCESS. THE VOID CORING WILL NOT EFFECT TO PRODUCT FUNCTION.

A

A

B

B

mat'l code		SEE NOTE 2		tolerances unless otherwise specified		CUSTOMER		 www.fciconnect.com		
ltr	ecn no.	dr	date	linear	0.X ±0.5		COPY		title 24S + 12P R/A STB RECEPTACLE	
A					0.XX ±0.25		projection			
					0.XXX ±0.1					
				angles	0° ±2°				product family PwrBlade	
				dr	Warren Du	07/29/08	size			code
				enrg	Jerome Chen	07/29/08	A			213
				chr	Gary Hsieh	07/29/08	51915-176		sheet	
				appd	Joseph Hsia	07/29/08	4 of 4			
sheet index	revision sheet									

1 | 2

Pro/E

PDM: Rev: A

STAT: Released

Printed: Dec 20, 2010

cage code 28556

4