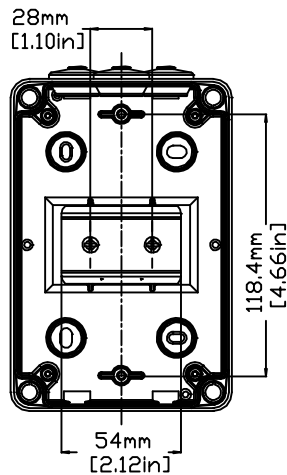
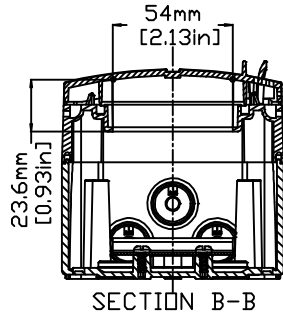
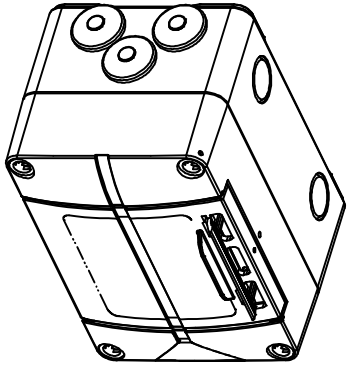
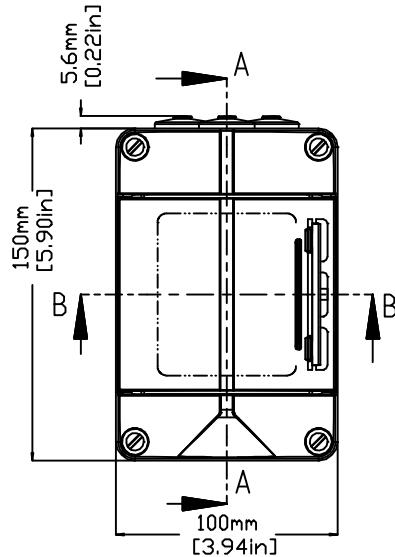


REVISIONS FOR DWG # 3EN-3IS-AK-AK 03

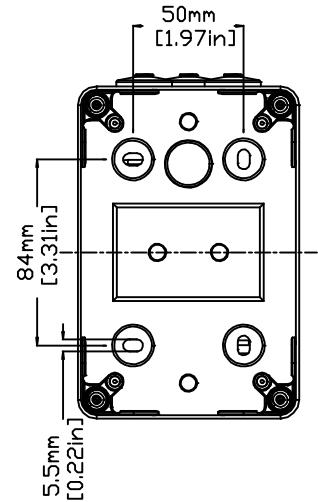
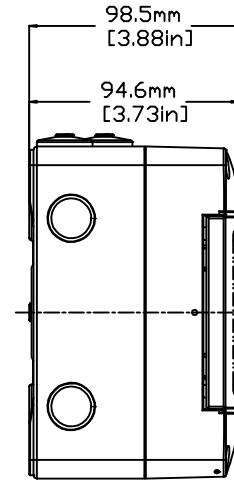
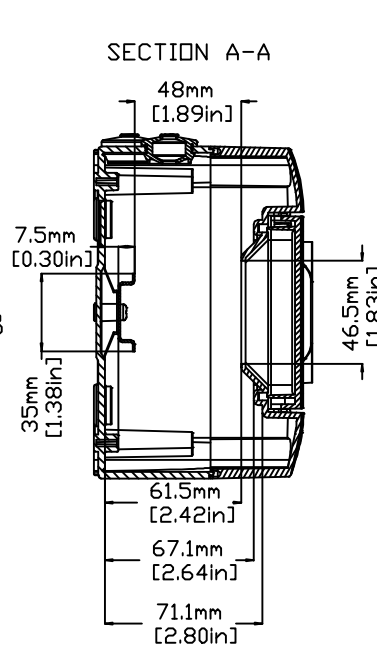
REV	CH.NO.	DESCRIPTION	DATE	REVISED BY
-	-	ORIGINAL DESIGN	08/01/11	ROLAND G



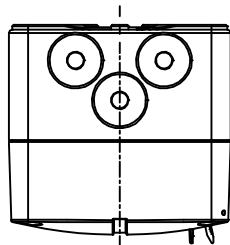
INTERIOR VIEW
WITHOUT LID



SECTION A-A



BOTTOM VIEW



UNLESS OTHERWISE SPECIFIED

- ALL DIMENSIONS ARE IN MILLIMETERS
- THIRD ANGLE PROJECTION

• TOLERANCE

XX	±	XX mm
XX.X	±	XX mm
XX.XX	±	XX mm
ALL	±	XX mm

This Drawing is the property of

Altech Corp.

35 Royal Road
Flemington NJ 08822-6000
(908) 806-9400 • Fax (908) 806-9490

AND IS A CONFIDENTIAL DISCLOSURE
LENT WITHOUT CONSIDERATION OTHER
THAN THE BORROWER'S AGREEMENT
THAT IT SHALL NOT BE REPRODUCED,
COPIED, LENT, OR DISPOSED OF
DIRECTLY OR INDIRECTLY NOR USED
FOR ANY PURPOSE OTHER THAN THAT
FOR WHICH IT IS SPECIFICALLY
FURNISHED.

TITLE: POLYSTYRENE/ POLYCARBONATE ENCLOSURE
AK 03

DRAWN BY:
ROLAND GYORGYPAL 08/01/2011
CHECKED BY:
JEFF ROYE 08/01/2011
RELEASED BY:
LASZLO G. 08/01/2011

DRAWING NO.:
3EN-3IS-AK-AK 03

REV.:
-

SCALE: -

SHEET: 1 OF: 1

C-ITEM