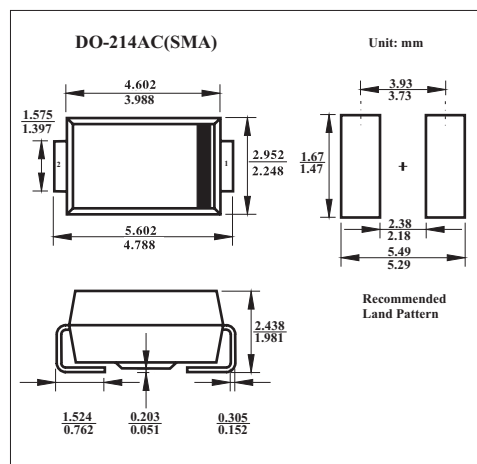


# B340A

## ■ Features

- Low power loss, high efficiency
- Low profile surface mount package
- Built-in strain relief
- For use in low voltage high frequency inverters, free wheeling, and polarity protection applications
- Guardring for overvoltage protection



## ■ Absolute Maximum Ratings and Electrical Characteristics Ta = 25°C

Parameter	Symbol	Rating	Unit
Maximum repetitive peak reverse voltage	V <sub>RRM</sub>	40	V
Maximum RMS voltage	V <sub>RMS</sub>	28	V
Maximum DC blocking voltage	V <sub>DC</sub>	40	V
Maximum average forward rectified current T <sub>L</sub>	I <sub>F(AV)</sub>	3.0	A
Peak forward surge current 8.3ms single half sine-wave superimposed on rated load (JEDEC Method)	I <sub>FSM</sub>	65	A
Typical thermal resistance	R <sub>θJA</sub>	110	°C/W
	R <sub>θJL</sub>	28	
Operating junction temperature range	T <sub>J</sub>	-65 to +150	°C
Storage temperature range	T <sub>STG</sub>	-65 to +150	°C

## ■ Electrical Characteristics Ta = 25°C

Parameter	Symbol	Testconditions	Min	Typ	Max	Unit
Maximum instantaneous forward voltage at 3.0A*	V <sub>F</sub>	T <sub>J</sub> =25°C			0.55	V
Maximum DC reverse current at rated DC blocking vottage *	I <sub>R</sub>	T <sub>J</sub> =25°C			0.5	mA

\* Pulse test: 300 μ s pulse width, 1% duty cycle