



Commercial CCRT-53

Internal Terminations

DC-26.5GHz SPDT Switch

Failsafe

The CCRT-53 Switch is an internally terminated, broadband, SPDT, electromechanical coaxial switch designed to switch a microwave signal from a common input to either of two outputs. The characteristic impedance is 50 Ohms. Internal terminations provide an impedance match for the unselected port. The switches are small with the minimum spacing that is compatible with SMA connectors.

Specifications

RF Contacts: Break before make

Actuator	Voltage (VDC) 20°C	12	15	28
	Current (mA)	420	350	200

Switching Time: 20 msec max

Terminations: 50 Ohm 2 Watts CW max

Connectors: SMA (f)

Weight: 2.65 oz. max

Temperature Range: -40°C to +65°C (Operating)

Shock: MIL-STD-202 Method 213, Condition D
(500G Non Operating)

Vibration: MIL-STD-202 Method 214, Condition D
(10G RMS Non Operating)

Humidity: Moisture Seal Available

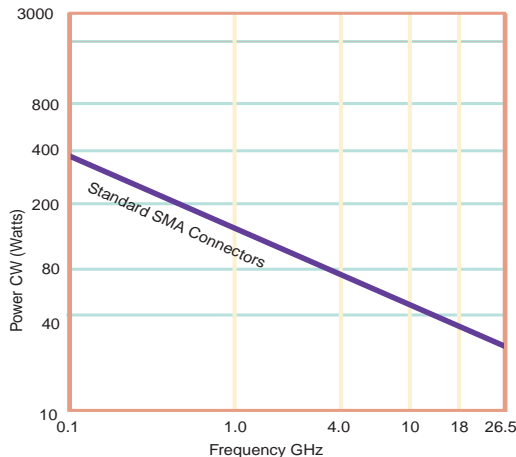
Typical Contact Life: 5 Million Cycles

Insertion Loss Repeatability (1 Million Cycles):

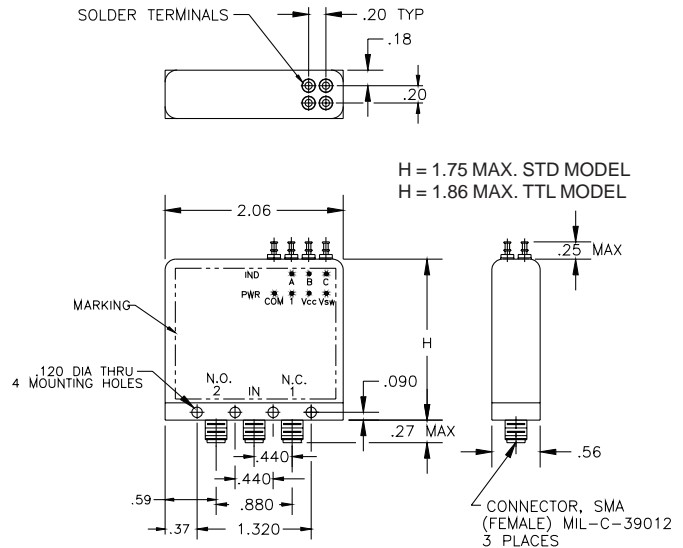
DC to 6 GHz: 0.05 dB

DC to 20 GHz: 0.1 dB

RF Power Handling (Non-terminated)

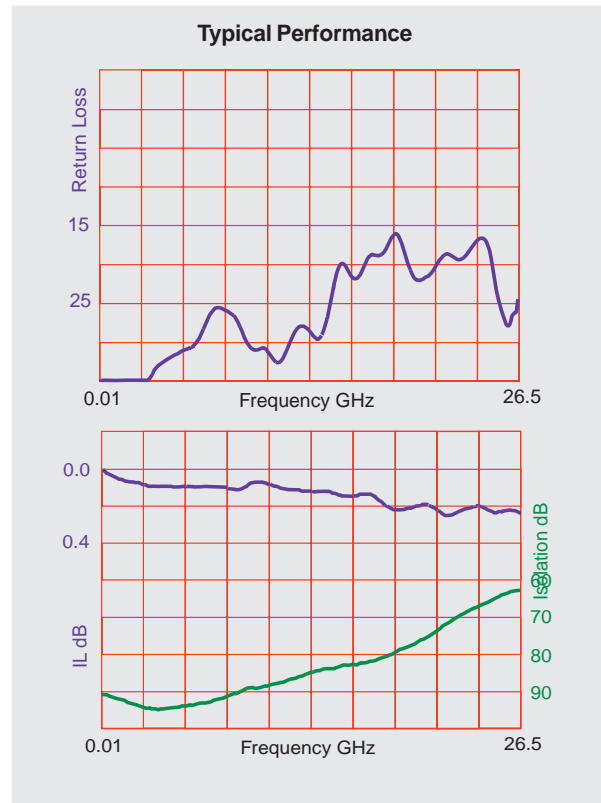


The CCRT-53 is available with either a failsafe or latching actuator.



Specifications

	DC-6 GHz	6-12 GHz	12-18 GHz	18-26.5GHz
VSWR (max)	1.25:1	1.40:1	1.50:1	1.80:1
Insertion Loss (min)	0.20 dB	0.40 dB	0.50 dB	0.70 dB
Isolation (max)	70.0 dB	60.0 dB	60.0 dB	50.0 dB



Specifications subject to change without notice.

www.teledynecoax.com
email: coax@teledyne.com

Tel: (800) 351-7368

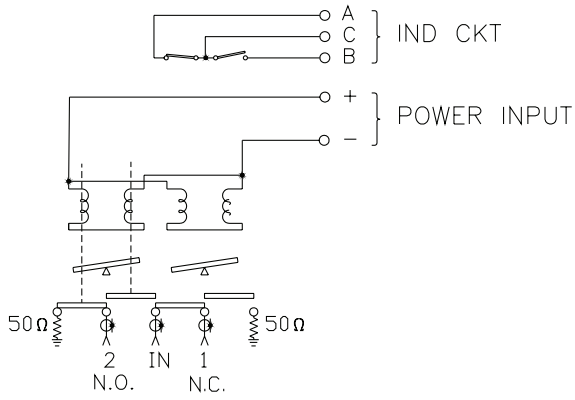
10/2007

Commercial CCRT-53

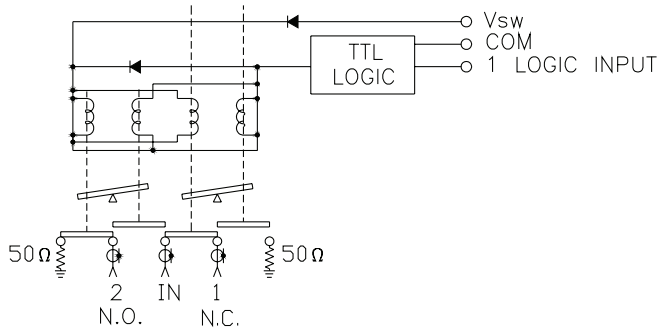
Internal Terminations

DC-26.5GHz SPDT Switch

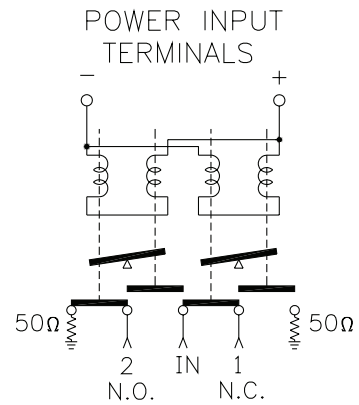
Failsafe



Indicators

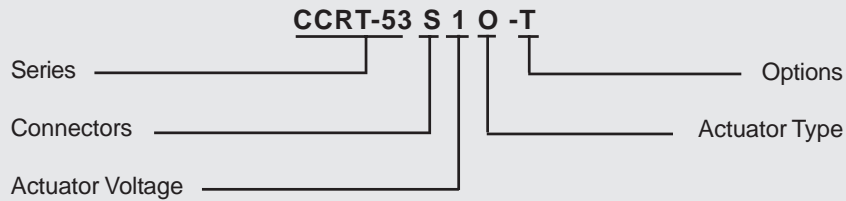


TTL



Analog

Part Numbering System for CCRT-53 (Failsafe)



Connector
S: SMA Female

Actuator Voltage
1: 28Vdc Failsafe
2: 15Vdc Failsafe
3: 12Vdc Failsafe

Actuator Type
O: No Indicator Contacts
C: Indicator Contacts

Options
T: TTL Drivers with Diodes
R: Positive + Common

For other options contact Factory



Specifications subject to change without notice.

www.teledynecoax.com
email: coax@teledyne.com

Tel: (800) 351-7368
10/2007