

PART NUMBER: MAH36

DESCRIPTION: absolute encoder

ELECTRICAL SPECIFICATIONS

output signals	G: gray code, N: pure binary, B: BCD code
output circuit	NPN open collector
logic	negative logic (H=0, L=1)
current consumption	70mA or less (under no load)
frequency response	10 KHz
supply voltage	3: 5 V dc $\pm 10\%$; 4: 24 Vdc $\pm 15\%$
output resolution (ppr)	256, 360, 512, 720, 1000*, 1024
max output current	sink current each bit 30mA

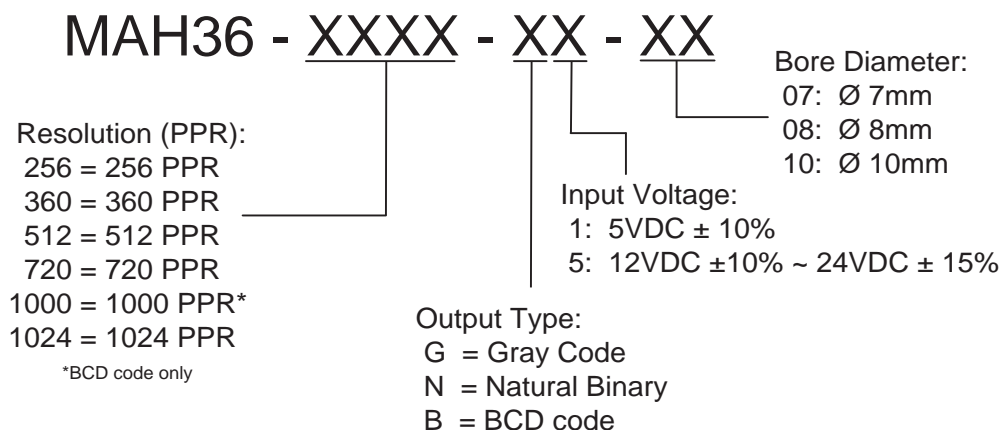
*BCD code only

MECHANICAL SPECIFICATIONS

max shaft loading, radial:	19.6N (2kgf)
thrust:	9.8N (1kgf)
starting torque	$5 \times 10^{-3} \text{N}\cdot\text{m}$ max (50gf $\cdot\text{cm}$)
max rotational speed	6000 RPM
shock resistance	500m/s ² (50g) X, Y, Z each 3 times
vibration proof	55 Hz / 1.5mm 2h each X, Y, Z
weight	180g (with 1m cable)
cable	outside diameter 6mm, 16-core vinyl wire insulated shield cable (length 1m)

ENVIRONMENTAL SPECIFICATIONS

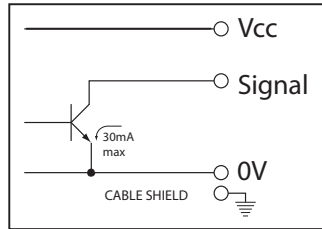
operating temp	-10° to +60° C
storage temp	-20° to +80° C
humidity	RH 35%~ 90%, non collecting

ORDERING INSTRUCTIONS


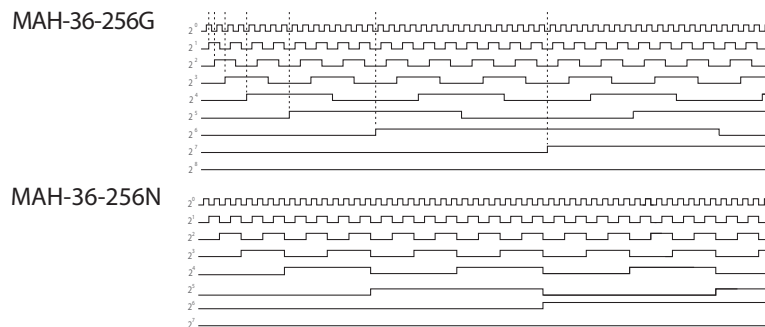
PART NUMBER: MAH36

DESCRIPTION: absolute encoder

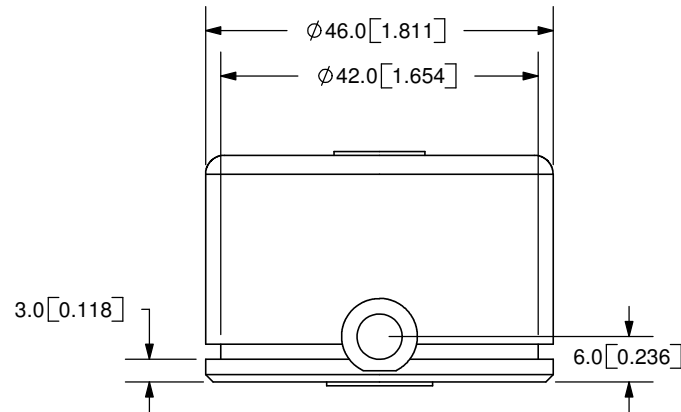
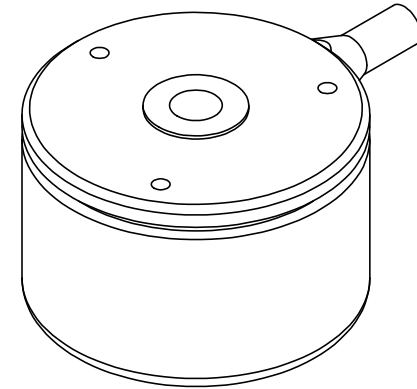
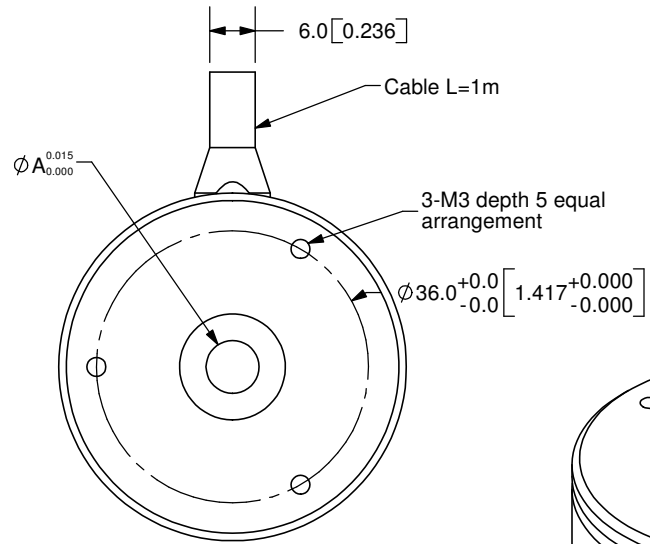
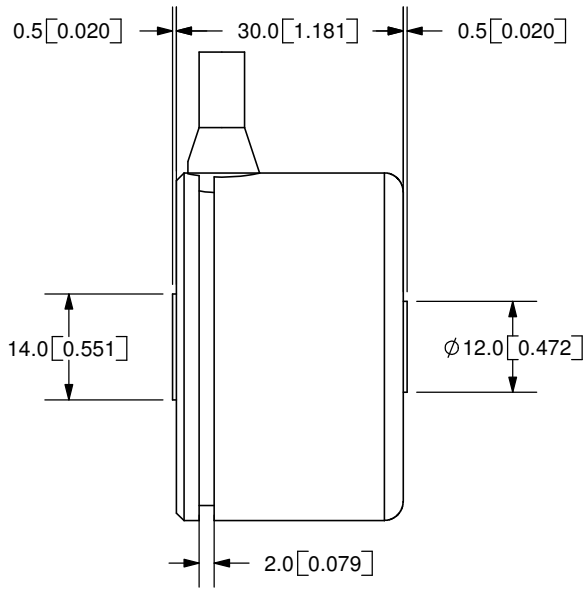
CIRCUIT CONNECTIONS



OUTPUT WAVEFORM



REV.	DESCRIPTION	DATE
A	NEW DRAWING	7/30/2007



TOLERANCE:
±0.3mm UNLESS OTHERWISE
SPECIFIED



20050 SW 112th Ave.
Tualatin, OR 97062
Phone: 503-612-2300
800-275-4899
Fax: 503-612-2383
Website: www.cui.com

TITLE: Incremental Encoder		REV: A
PART NO. MAH36		UNITS: MM [INCHES]
DRAWN BY: JMS	APPROVED BY:	SCALE: 1:1

Cable Color	Brown	Brown/Black	Orange	Orange/Black	Yellow	Yellow/Black	Green	Green/Black
Output Type	2 ⁰	2 ¹	2 ²	2 ³	2 ⁴	2 ⁵	2 ⁶	2 ⁷
Cable Color	Blue	Blue/Black	Purple	Purple/Black	Red/Black	Red	Black	Black
Output Type	2 ⁸	2 ⁹	NC	NC	NC	Power	0V	0V

PC FILE NAME:
MAH36

COPYRIGHT 2007
BY CUI INC.