

**REVISION K**

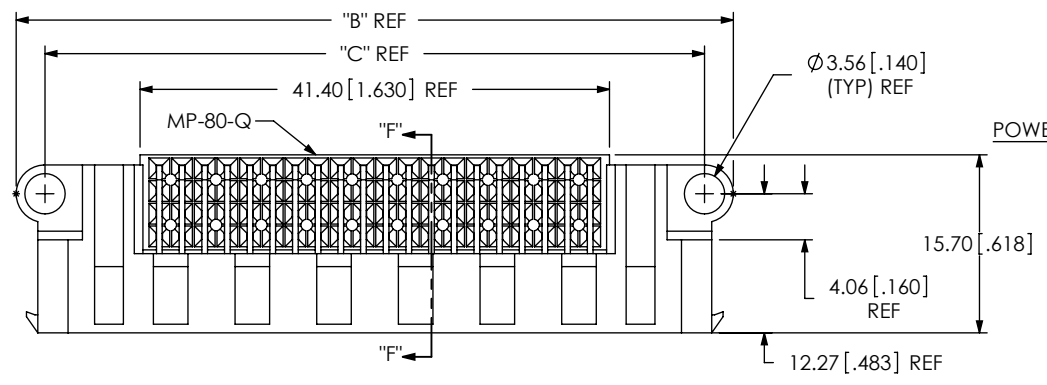
DO NOT SCALE FROM THIS PRINT

**NOTES:**

1. Ⓢ REPRESENTS A CRITICAL DIMENSION.
2. BURR ALLOWANCE: 0.038[.0015] MAX.
3. MINIMUM PUSHOUT FORCE: 2.22N [.5 LB].
4. PARTS TO BE PACKAGED IN TRAYS.
5. BOW ALLOWED AT 0.075MM[.0030]/25.0MM[.98].

**DESIGNED & DIMENSIONED IN MILLIMETERS**

**MPTC-XX-XX-XX-01-XX-X-RA-XX**



**POWER POSITIONS (PER END)**  
-01, -02, \*\*\*-03, \*\*\*-04

**SIGNAL POSITIONS**

- 80 (4 X 20)
- 24 (4 X 6)
- \*\*\*-20 (4 X 5)
- \*\*\*-16 (4 X 4)
- \*\*\*-12 (4 X 3)

**POWER POSITIONS (PER END)**  
\*\*\*-00, -01, -02

**LEADSTYLE**  
-01

**OPTION**  
-SD: SCREW DOWN (SEE FIG. 1, SHT 1)  
-LC: LOCKING CLIP (USE LC-07-TM) (SEE FIG. 2, SHT 2)  
**RIGHT ANGLE**

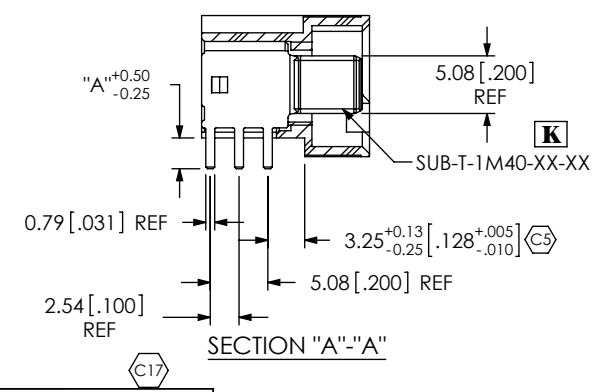
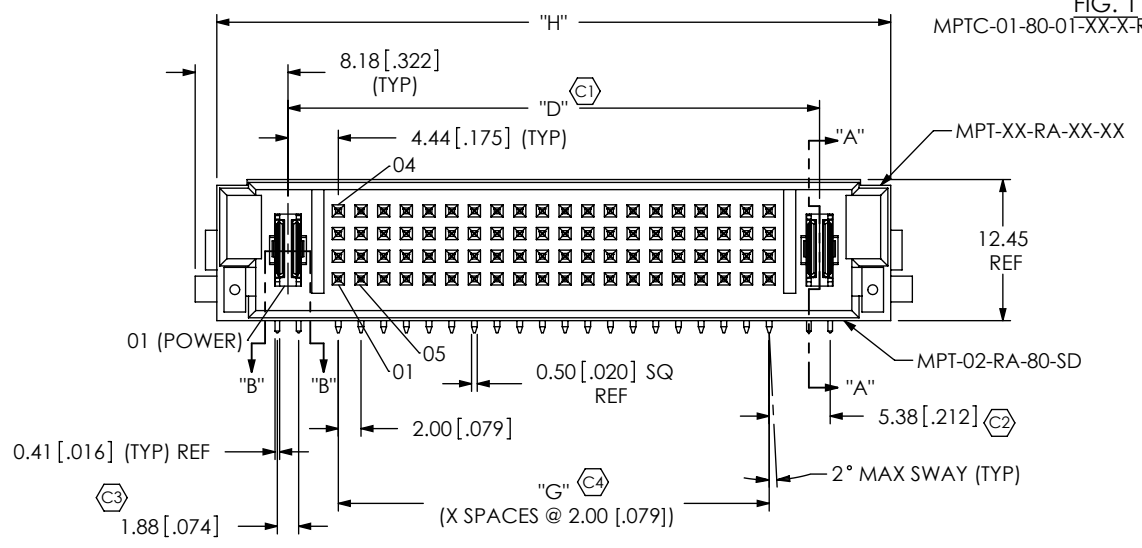
**PLATING SPECIFICATION**

- L: SEE TABLE 3
- T: SEE TABLE 3

**TAIL LENGTH**  
-01: FOR 1.57[.062] THICK PCB (USE SUB-T-1M40-01-X)  
\*\* -02: FOR 3.18[.125] THICK PCB (USE SUB-T-1M40-02-X)  
-03: FOR 2.36[.093] THICK PCB (USE SUB-T-1M40-03-X)

\* = SEE TABLE 2 FOR AVAILABLE COMBINATIONS  
\*\* = NOT TOOLED

**FIG. 1**  
MPTC-01-80-01-XX-X-RA-SD SHOWN



**TABLE 1**

PART NUMBER	BODY	POWER TERMINAL SUB-ASSEMBLY	SIGNAL TERMINAL				"A"
			TERMINAL 1	TERMINAL 2	TERMINAL 3	TERMINAL 4	
MPTC-XX-XX-XX-01-01-X-RA-XX	MPT-XX-RA-XX-XX	SUB-T-1M40-01-X	T-1S68-01-L	T-1S68-02-L	T-1S68-03-L	T-1S68-04-L	2.72 [0.107]
**MPTC-XX-XX-XX-01-02-X-RA-XX		SUB-T-1M40-02-X	T-1S68-05-L	T-1S68-06-L	T-1S68-07-L	T-1S68-08-L	4.32 [0.170]
***MPTC-XX-XX-XX-01-03-X-RA-XX		SUB-T-1M40-03-X	T-1S68-03-L	T-1S68-03-L	T-1S68-11-L	T-1S68-11-L	3.51 [0.138]

\*\* = NOT TOOLED  
\*\*\* = NOT RELEASED FOR PRODUCTION

**UNLESS OTHERWISE SPECIFIED, DIMENSIONS ARE IN MILLIMETERS. TOLERANCES ARE:**  
DECIMALS ANGLES  
.X: ±0.3 [0.1] 2°  
.XX: ±0.13 [0.05]  
.XXX: ±0.051 [0.020]

**PROPRIETARY NOTE**  
THIS DOCUMENT CONTAINS INFORMATION CONFIDENTIAL AND PROPRIETARY TO SAMTEC, INC. AND SHALL NOT BE REPRODUCED OR TRANSFERRED TO OTHER DOCUMENTS OR DISCLOSED TO OTHERS OR USED FOR ANY PURPOSE OTHER THAN THAT WHICH IT WAS OBTAINED WITHOUT THE EXPRESSED WRITTEN CONSENT OF SAMTEC, INC.



520 PARK EAST BLVD, NEW ALBANY, IN 47150  
PHONE: 812-944-6733 FAX: 812-948-5047  
e-Mail: info@SAMTEC.com code 55322

**TABLE 3**

PLATING	POWER PIN CONTACT AREA	POWER PIN TAIL	SIGNAL PIN CONTACT AREA	SIGNAL PIN TAIL
-L	LIGHT GOLD	MATTE TIN	LIGHT GOLD	MATTE TIN
-T	MATTE TIN	MATTE TIN	LIGHT GOLD	MATTE TIN

**MATERIAL:** DO NOT SCALE DRAWING SHEET SCALE: 1:5:1  
INSULATOR: LCP, COLOR: BLACK  
TERMINAL: COPPER ALLOY

**DESCRIPTION:**  
RIGHT ANGLE POWER TERMINAL

DWG. NO.  
**MPTC-XX-XX-XX-01-XX-X-RA-XX**

BY: CLAY W 2/2/2007 SHEET 1 OF 5

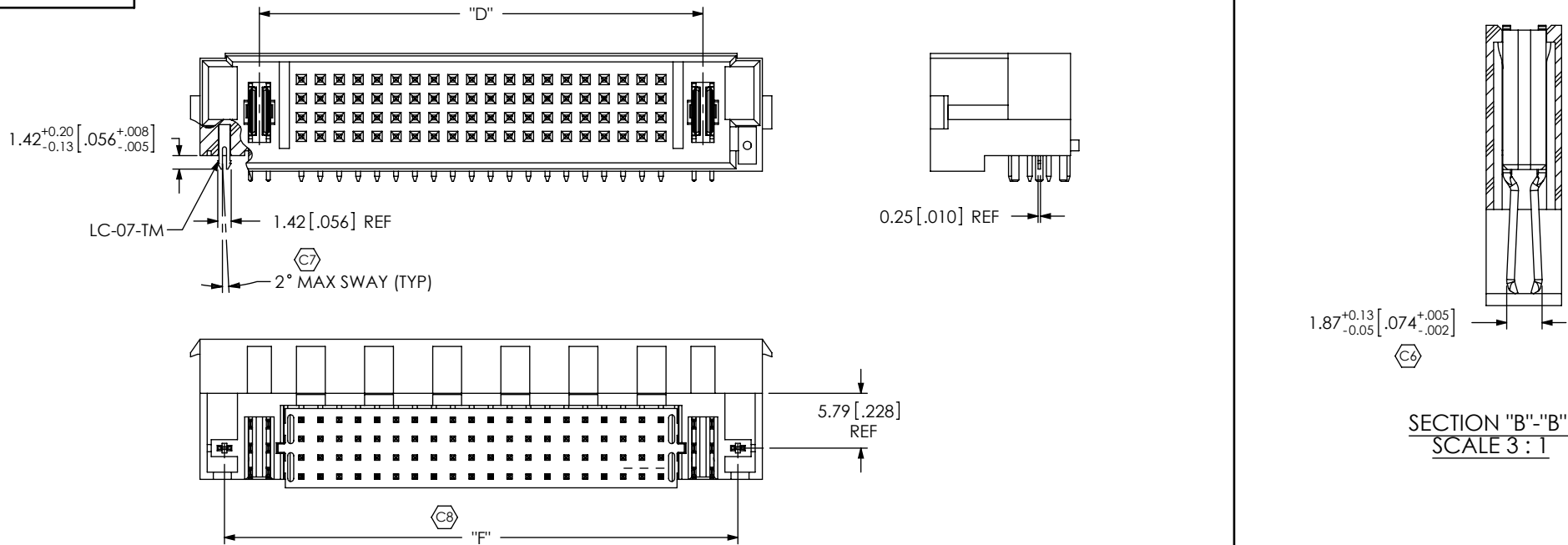


FIG. 2  
MPTC-01-80-01-0T-XX-X-RA-LC SHOWN  
(SAME AS FIG. 1, UNLESS OTHERWISE STATED)

K

K

TABLE 2

PART NUMBER	BODY	"B"	"C"	"D"	"E"	"F"	"G"	"H"
MPTC-01-80-01-01-XX-X-RA-XX	MPT-02-RA-80-XX	63.25 [2.490]	58.17 [2.290]	46.88 [1.846]	48.77 [1.920]	54.26 [2.136]	38.00 [1.496]	59.44 [2.340]
MPTC-02-80-02-01-XX-X-RA-XX	MPT-04-RA-80-XX	73.25 [2.884]	68.17 [2.684]	56.88 [2.239]	58.77 [2.314]	64.26 [2.530]	38.00 [1.496]	69.44 [2.734]
MPTC-01-24-01-01-XX-X-RA-XX	MPT-02-RA-24-XX	35.25 [1.388]	30.17 [1.188]	18.88 [0.743]	20.77 [0.818]	28.01 [1.103]	10.00 [0.394]	31.44 [1.238]
MPTC-02-24-02-01-XX-X-RA-XX	MPT-04-RA-24-XX	45.25 [1.781]	40.17 [1.581]	28.88 [1.137]	30.77 [1.211]	38.01 [1.496]	10.00 [0.394]	41.44 [1.631]
MPTC-03-24-00-01-XX-X-RA-XX	MPT-03-RA-24-XX-PS	41.25 [1.624]	36.17 [1.424]	N/A	N/A	32.26 [1.270]	10.00 [0.394]	37.44 [1.474]
MPTC-04-24-00-01-XX-X-RA-XX	MPT-04-RA-24-XX-PS	46.25 [1.821]	41.17 [1.621]	N/A	N/A	37.26 [1.467]	10.00 [0.394]	42.44 [1.671]
MPTC-03-20-00-01-XX-X-RA-XX	MPT-03-RA-20-XX-PS	39.25 [1.545]	34.17 [1.345]	N/A	N/A	30.26 [1.191]	8.00 [0.315]	35.44 [1.395]
MPTC-04-20-00-01-XX-X-RA-XX	MPT-04-RA-20-XX-PS	44.25 [1.742]	39.17 [1.542]	N/A	N/A	35.26 [1.388]	8.00 [0.315]	40.44 [1.592]
MPTC-03-16-00-01-XX-X-RA-XX	MPT-03-RA-16-XX-PS	37.25 [1.467]	32.17 [1.267]	N/A	N/A	28.26 [1.113]	6.00 [0.236]	33.44 [1.317]
MPTC-04-16-00-01-XX-X-RA-XX	MPT-04-RA-16-XX-PS	42.25 [1.663]	37.17 [1.463]	N/A	N/A	33.26 [1.309]	6.00 [0.236]	38.44 [1.513]
MPTC-03-12-00-01-XX-X-RA-XX	MPT-03-RA-12-XX-PS	35.25 [1.388]	30.17 [1.188]	N/A	N/A	26.26 [1.034]	4.00 [0.157]	31.44 [1.238]
MPTC-04-12-00-01-XX-X-RA-XX	MPT-04-RA-12-XX-PS	40.25 [1.585]	35.17 [1.385]	N/A	N/A	31.26 [1.231]	4.00 [0.157]	36.44 [1.435]

**PROPRIETARY NOTE**  
THIS DOCUMENT CONTAINS INFORMATION CONFIDENTIAL AND PROPRIETARY TO SAMTEC, INC. AND SHALL NOT BE REPRODUCED OR TRANSFERRED TO OTHER DOCUMENTS OR DISCLOSED TO OTHERS OR USED FOR ANY PURPOSE OTHER THAN THAT WHICH IT WAS OBTAINED WITHOUT THE EXPRESSED WRITTEN CONSENT OF SAMTEC, INC.

DO NOT SCALE DRAWING

SHEET SCALE: 1.5:1



520 PARK EAST BLVD. NEW ALBANY, IN 47150  
PHONE: 812-944-6733 FAX: 812-948-5047  
e-Mail: info@SAMTEC.com code 55322

DESCRIPTION:  
RIGHT ANGLE POWER TERMINAL

DWG. NO.  
MPTC-XX-XX-XX-01-XX-X-RA-XX

BY: CLAY W 2/2/2007 SHEET 2 OF 5

SEE SHEET 5 FOR IN-PROCESS VIEWS

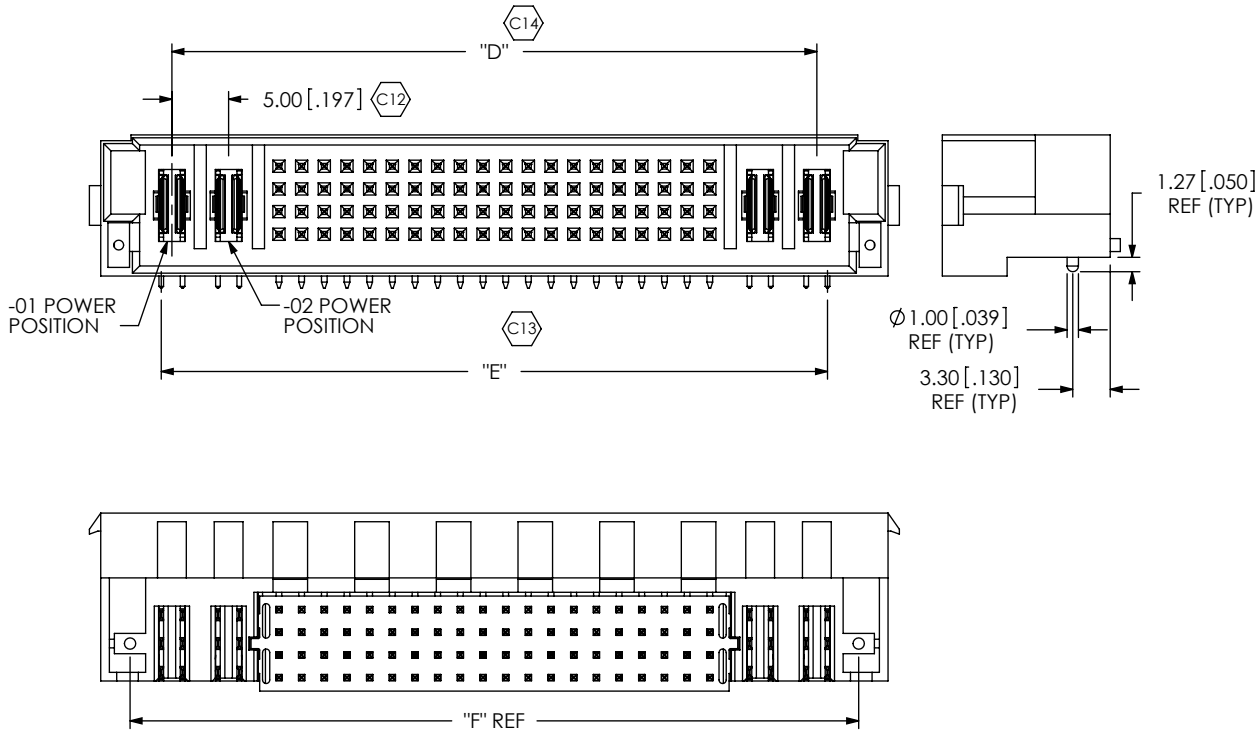
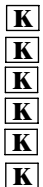
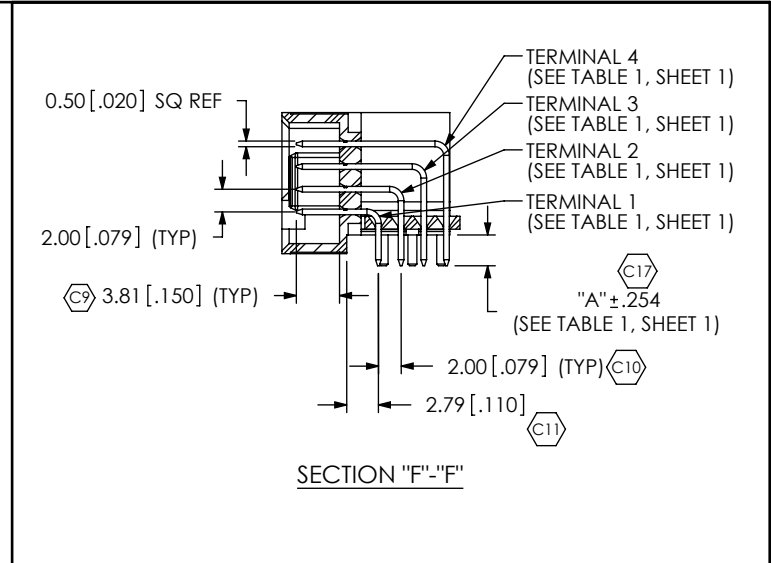



FIG. 3  
MPTC-02-80-02-01-XX-X-RA SHOWN  
(SAME AS FIG. 1, UNLESS OTHERWISE STATED)



<p>PROPRIETARY NOTE</p> <p>THIS DOCUMENT CONTAINS INFORMATION CONFIDENTIAL AND PROPRIETARY TO SAMTEC, INC. AND SHALL NOT BE REPRODUCED OR TRANSFERRED TO OTHER DOCUMENTS OR DISCLOSED TO OTHERS OR USED FOR ANY PURPOSE OTHER THAN THAT WHICH IT WAS OBTAINED WITHOUT THE EXPRESSED WRITTEN CONSENT OF SAMTEC, INC.</p> <p>DO NOT SCALE DRAWING</p> <p>SHEET SCALE: 1.5:1</p>		
	<p>520 PARK EAST BLVD, NEW ALBANY, IN 47150 PHONE: 812-944-6733 FAX: 812-948-5047 e-Mail info@SAMTEC.com code 55322</p>	
	<p>DESCRIPTION: RIGHT ANGLE POWER TERMINAL</p>	
	<p>DWG. NO. MPTC-XX-XX-XX-01-XX-X-RA-XX</p>	
	<p>BY: CLAY W 2/2/2007</p>	<p>SHEET 3 OF 5</p>

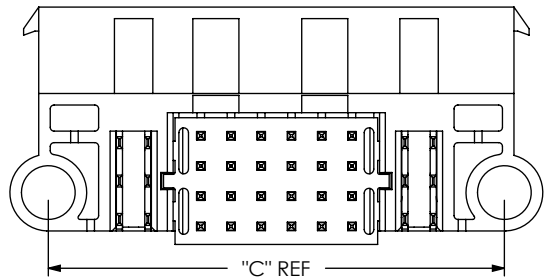
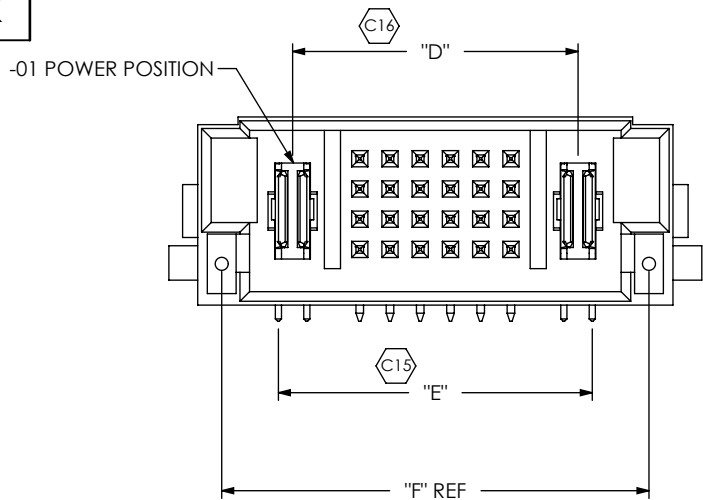


FIG. 4  
 \*\*MPTC-01-24-01-01-XX-X-RA-SD SHOWN  
 (SAME AS FIG. 1, UNLESS OTHERWISE STATED)

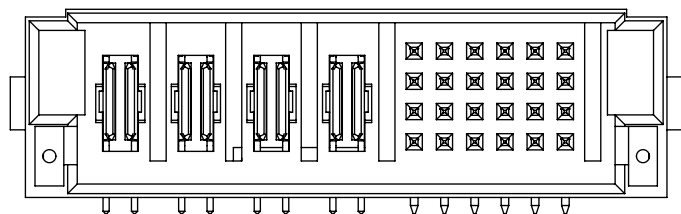
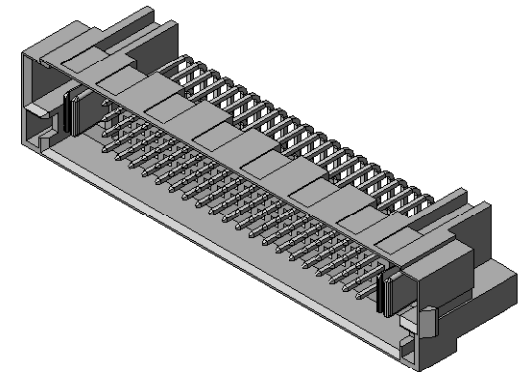

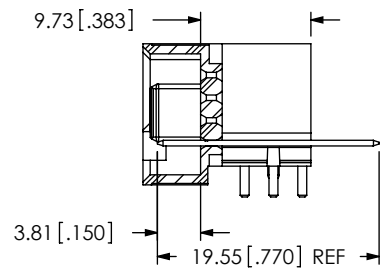


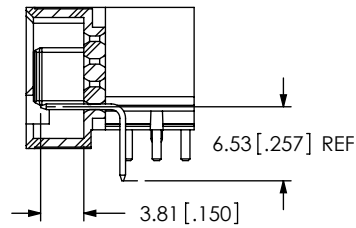
FIG. 5  
 \*\*MPTC-04-24-00-01-XX-X-RA-LC SHOWN  
 (SAME AS FIG. 2, UNLESS OTHERWISE STATED)



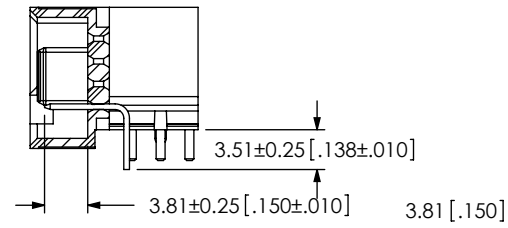
<p>PROPRIETARY NOTE                  THIS DOCUMENT CONTAINS INFORMATION                  CONFIDENTIAL AND PROPRIETARY TO                  SAMTEC, INC. AND SHALL NOT BE REPRODUCED                  OR TRANSFERRED TO OTHER DOCUMENTS OR                  DISCLOSED TO OTHERS OR USED FOR ANY                  PURPOSE OTHER THAN THAT WHICH IT WAS                  OBTAINED WITHOUT THE EXPRESSED WRITTEN                  CONSENT OF SAMTEC, INC.</p> <p>DO NOT SCALE DRAWING</p> <p>SHEET SCALE: 2:1</p>		
	<p>520 PARK EAST BLVD, NEW ALBANY, IN 47150                  PHONE: 812-944-6733 FAX: 812-948-5047                  e-Mail info@SAMTEC.com code 55322</p>	
	<p>DESCRIPTION:                  RIGHT ANGLE POWER TERMINAL</p>	
	<p>DWG. NO.                  MPTC-XX-XX-XX-01-XX-X-RA-XX</p>	
	<p>BY: CLAY W 2/2/2007</p>	<p>SHEET 4 OF 5</p>



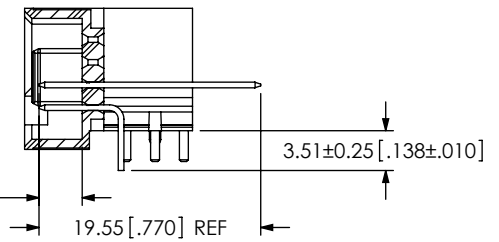
IN-PROCESS 1



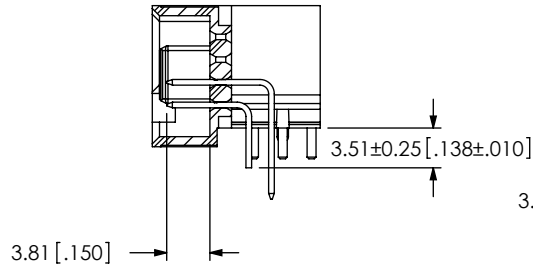
IN-PROCESS 2



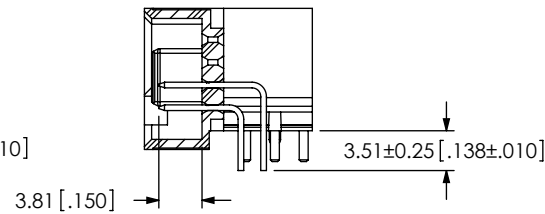
IN-PROCESS 3



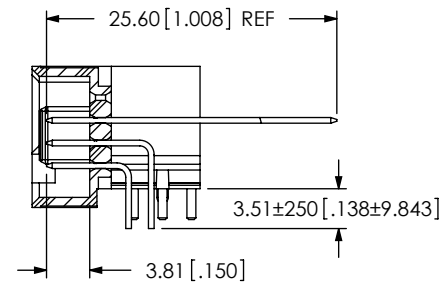
IN-PROCESS 4



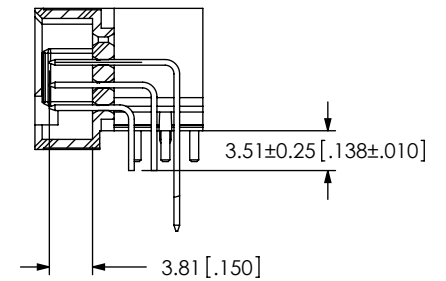
IN-PROCESS 5



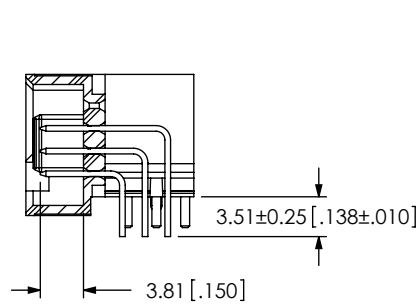
IN-PROCESS 6



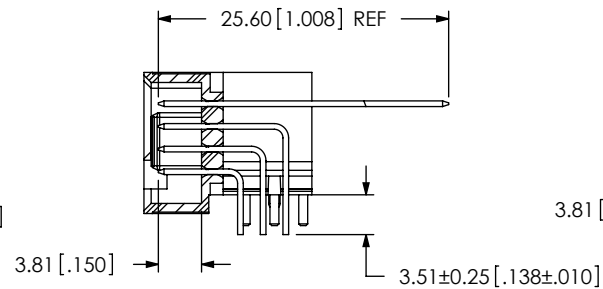
IN-PROCESS 7



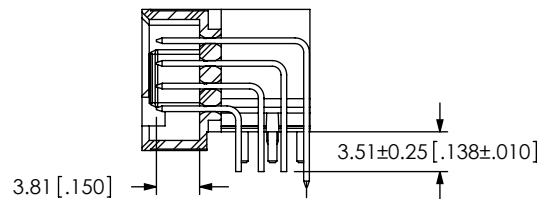
IN-PROCESS 8



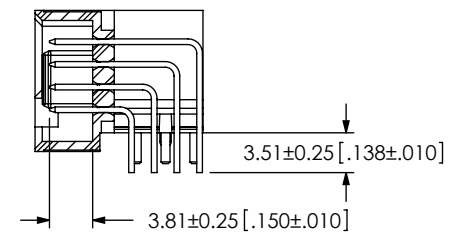
IN-PROCESS 9



IN-PROCESS 10



IN-PROCESS 11



IN-PROCESS 12

**PROPRIETARY NOTE**  
 THIS DOCUMENT CONTAINS INFORMATION  
 CONFIDENTIAL AND PROPRIETARY TO  
 SAMTEC, INC. AND SHALL NOT BE REPRODUCED  
 OR TRANSFERRED TO OTHER DOCUMENTS OR  
 DISCLOSED TO OTHERS OR USED FOR ANY  
 PURPOSE OTHER THAN THAT WHICH IT WAS  
 OBTAINED WITHOUT THE EXPRESSED WRITTEN  
 CONSENT OF SAMTEC, INC.

DO NOT SCALE DRAWING  
 SHEET SCALE: 1.5:1



520 PARK EAST BLVD, NEW ALBANY, IN 47150  
 PHONE: 812-944-6733 FAX: 812-948-5047  
 e-Mail info@SAMTEC.com code 55322

DESCRIPTION:  
 RIGHT ANGLE POWER TERMINAL

DWG. NO.  
 MPTC-XX-XX-XX-01-XX-X-RA-XX

BY: CLAY W 2/2/2007 SHEET 5 OF 5