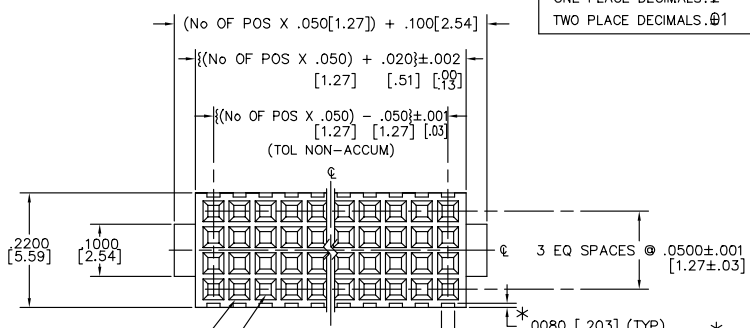


REV. K

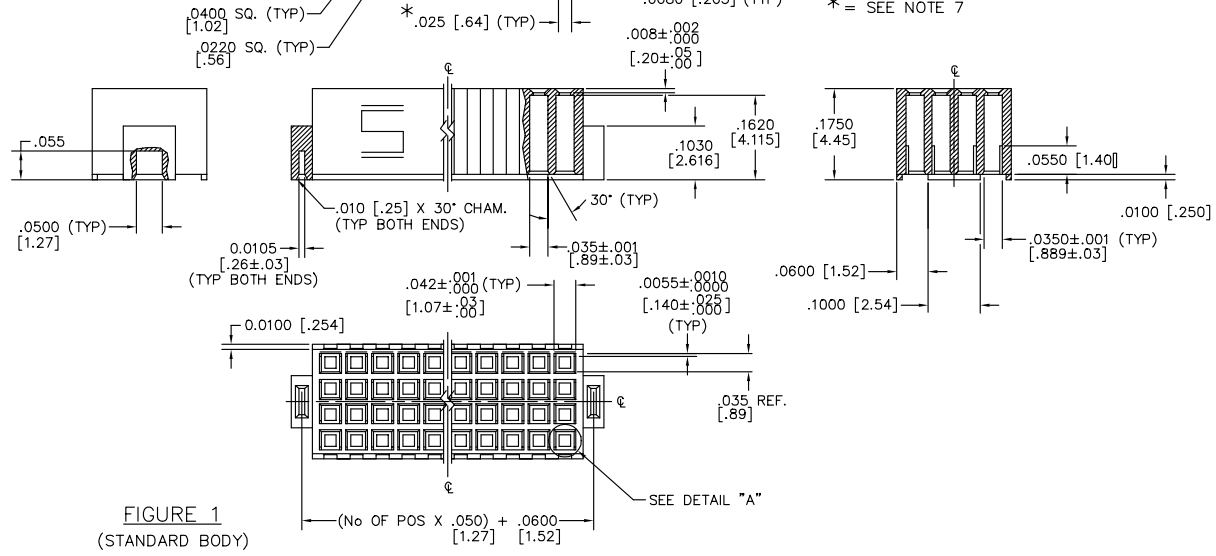
DIMENSIONS ARE IN INCHES		TOLERANCES ARE:	
ONE PLACE DECIMALS. ±	THREE PLACE DECIMALS ± .005	ANGLES ± 5°	
TWO PLACE DECIMALS. ±	FOUR PLACE DECIMALS ± .0020		

TITLE: .050 X .050 C.L. 4 ROW SOCKET STRIP
 DWG NO: QRS-XX-X-XXX
 SHEET 0F

Do not scale from this print



QRS-XX-X-XXX
 ROW SPECIFICATION
 -05 THRU -50
 BODY SPECIFICATION
 -Q: FOUR ROW
 OPTION
 -LCR: LOCKING CLIP REVERSED
 NOTE: STANDARD BODY HAS STANDARD SLOT FOR LOCKING CLIP



- NOTES:
- BODY MATERIAL TO BE A CELANESE RESIN, VECTRA E130: BLACK IN COLOR
 - 25% MAXIMUM REGRIND IS PERMITTED IN THE PRODUCTION OF THE PART.
 - ALL MULTIPLE CAVITY MOLDS SHALL IDENTIFY EACH CAVITY WITH A NUMBER DESIGNATION LOCATED WHERE SHOWN.
 - ALL IDENTIFICATION MARKS MUST NOT STAND GREATER THAN .002 OFF THE SURFACE OF THE BODY.
 - MAXIMUM ALLOWABLE LENGTH WARPAGE TO BE .002 MAX.
 - MAXIMUM ALLOWABLE FLASH TO BE .003
 - SERRATIONS ARE ONLY NECESSARY ON BODIES THAT CANNOT HOLD THE BOW SPEC.
 - 30-50 POS. HOUSINGS MUST HAVE 3 GATES TO FILL PART TO PREVENT WEAK KNIT LINE PROBLEMS.

FIGURE 1 (STANDARD BODY)

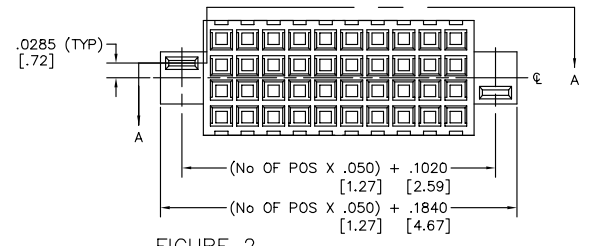
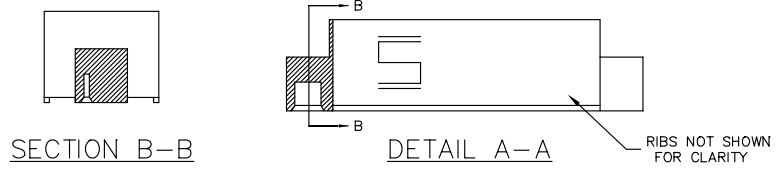
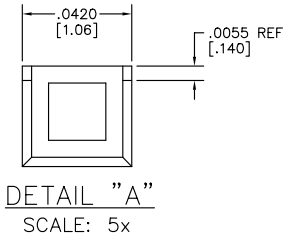


FIGURE 2 (REVERSED LOCKING CLIP)
 (SAME AS FIGURE 1 UNLESS OTHERWISE SHOWN)

PROPRIETARY NOTE
 THIS DOCUMENT CONTAINS INFORMATION CONFIDENTIAL AND PROPRIETARY TO SAMTEC INC. AND SHALL NOT BE REPRODUCED OR TRANSFERRED TO OTHER DOCUMENTS OR DISCLOSED TO OTHERS OR USED FOR ANY PURPOSE OTHER THAN THAT FOR WHICH IT WAS OBTAINED WITHOUT THE EXPRESSED WRITTEN CONSENT OF SAMTEC INC.

PLOT SCALE: 1=18

EXISPROD\COMPNT\BODIES\050 QRS-SM

samtec

520 PARK EAST BLVD. NEW ALBANY, INDIANA 47150
 PHONE (812) 944-6733 P.O. BOX 1147
 CODE 55322

QRS-XX-X-XXX