



TOROIDAL POWER INDUCTORS

See Opposite Page
for Specifications

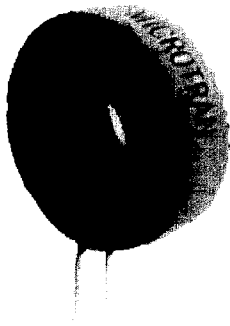
MICROTRAN.

Swinging Chokes for Switch Mode Power Supplies, Energy Storage, Regulator, and EMI/RFI Filter Applications

- Specially designed for controlled saturation...repeatable specific inductance at a specific current.
- Designed to handle high current spikes typically encountered in high current SMPS applications.
- Application frequencies up to 1 MHz.
- Toroidal construction...closed magnetic field-low EMI.

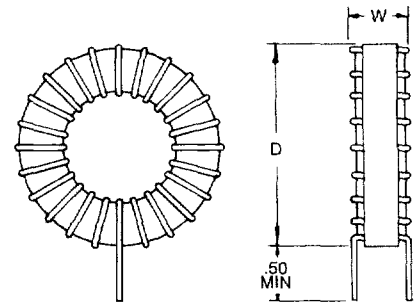
OPEN FRAME-F

Tinned leads to 1/16" of body for PCB mounting. Additional mechanical mounting recommended for larger units with finer wire. To order add-F to Part No., i.e. SL2-50-F.



SL-F

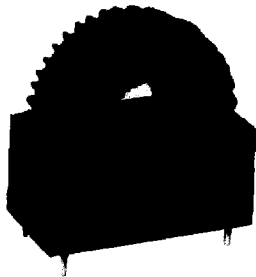
SL05-*F	0.56	0.30	0.13
SL06-*F	0.87	0.40	0.45
SL1-*F	1.00	0.50	0.64
SL2-*F	1.25	0.65	1.59
SL3-*F	1.90	0.90	4.10
SL4-*F	2.20	1.10	8.00



Dimensions in inches.
* See opposite page for complete part number.

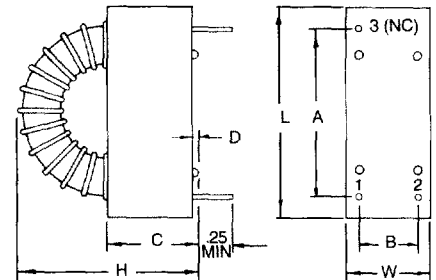
BASE MOUNTED-B

Rugged, epoxy base mounted for PCB applications. To order add-B to Part No., i.e. SL2-50-B.



SL-B

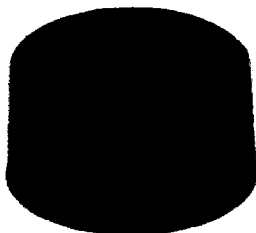
SL05-*B	0.66	0.34	0.62	0.50	0.20	0.22	.025	0.15
SL06-*B	0.87	0.43	0.94	0.60	0.20	0.22	.025	0.49
SL1-*B	1.01	0.52	1.08	0.90	0.40	0.25	.025	0.70
SL2-*B	1.31	0.65	1.39	1.10	0.50	0.35	.030	1.70
SL3-*B	1.90	0.90	1.98	1.60	0.60	0.41	.030	4.40
SL4-*B	2.12	1.08	2.30	1.75	0.90	1.00	—	8.80



Dimensions in inches. Tolerances dimension A and B ±.015.
* See opposite page for complete part number.

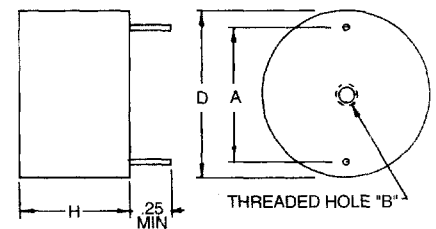
MOLDED-M

Epoxy molded with threaded insert for MIL and industrial PCB applications. MIL designation TF5S04ZZ. To order add -M to Part No., i.e. SL2-50-M.



SL-M

SL05-*M	0.625	0.34	0.50	—
SL06-*M	0.937	0.46	0.75	—
SL1-*M	1.000	0.52	0.90	4-40x8
SL2-*M	1.375	0.70	1.20	6-32x8
SL3-*M	2.000	1.00	1.70	8-32x10
SL4-*M	2.500	1.25	1.25	10-32x12



Dimensions in inches. Tolerances ±.015.
* See opposite page for complete part number.

TAMURA CORPORATION OF AMERICA

Postal Box 892230 • Temecula, CA 92589-2230 • 909/699-1270 • FAX: 909/676-9482