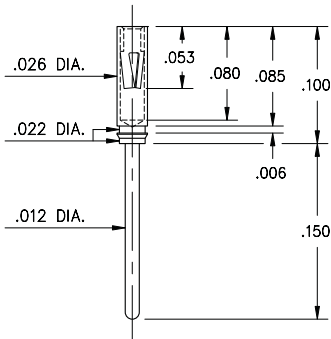




**PIN RECEPTACLES**  
 for .008" - .013" diameter pins (#04 contact)  
 and .012" - .017" diameter pins (#10 contact)  
 (see specific contact range on page 216)

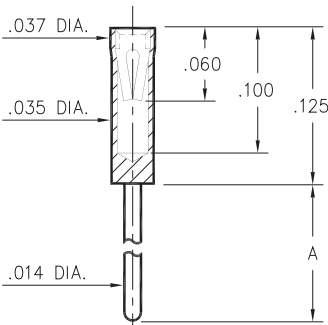


**8210**



**8210-0-15-15-04-27-04-0**  
 Press-fit in .024/.027 stepped hole

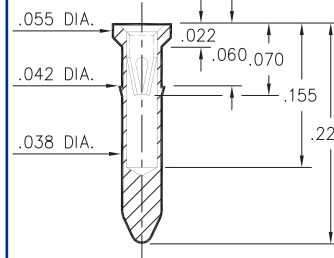
**0464**



**0464-X-15-XX-10-XX-04-0**  
 Solder mount in .016 min. mounting hole

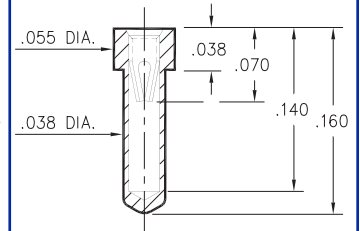
Basic Part Number	Length A
0464-0	.125
0464-1	.250

**9225**



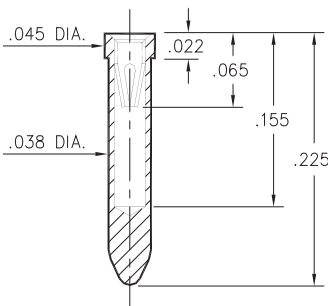
**9225-0-15-XX-10-XX-10-0**  
 Press-fit in .039 mounting hole

**0529**



**0529-0-15-XX-10-XX-10-0**  
 .040 min. mounting hole

**8947**



**8947-0-15-XX-10-XX-10-0**  
 Solder mount in .040 min. mounting hole

**SPECIFICATIONS**

**SHELL MATERIAL:**  
 Brass Alloy 360, 1/2 Hard

**CONTACT MATERIAL:**  
 Beryllium Copper Alloy 172, HT

**DIMENSION IN INCHES**  
**TOLERANCES ON:**  
 LENGTHS: ±.005  
 DIAMETERS: ±.002  
 ANGLES: ± 2°

**ORDER CODE: XXXX - X - XX - XX - XX - XX - XX - 0**

**BASIC PART #**

**SPECIFY SHELL FINISH:**

- 01 200μ" TIN/LEAD OVER NICKEL
- ◇ 80 200μ" TIN OVER NICKEL (RoHS)
- ◇ 15 10μ" GOLD OVER NICKEL (RoHS)

**SPECIFY CONTACT FINISH:**

- 02 100μ" TIN/LEAD OVER NICKEL
- ◇ 84 100μ" TIN OVER NICKEL (RoHS)
- ◇ 27 30μ" GOLD OVER NICKEL (RoHS)

**SELECT CONTACT**

**#04 or #10 CONTACT (DATA ON PAGE 216)**  
 (CONTACTS #04 & #10 NOT INTERCHANGEABLE)

