

MICRO SWITCH

FREEDPORT ILLINOIS U S A
A DIVISION OF HONEYWELL
FED. MFG. CODE 91929

SWITCH-TOGGLE

CATALOG LISTING 12TL1-50 SERIES CHART 1

MILITARY
STANDARD
NUMBER

CATALOG
LISTING

AVAILABLE
LOCKING
COMBINATIONS
FOR CONFIGURATION
SEE LETTERED
DETAILS

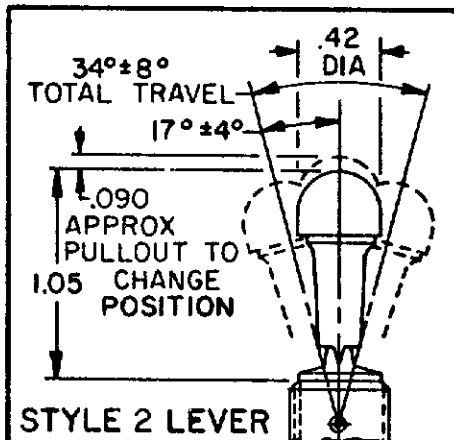
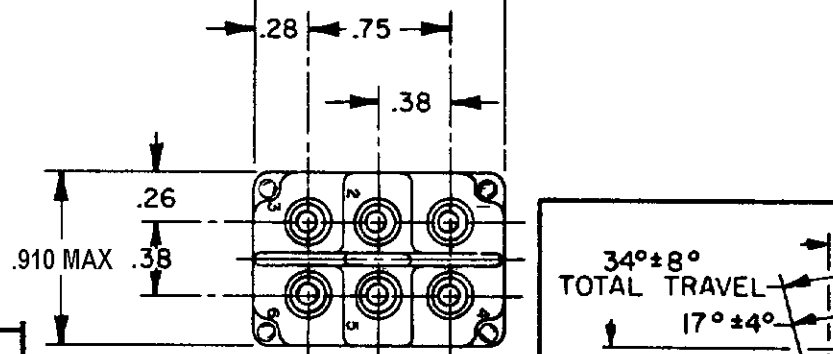
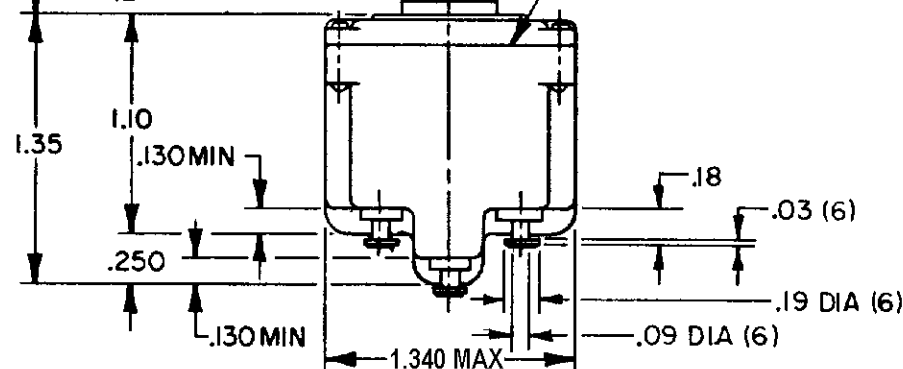
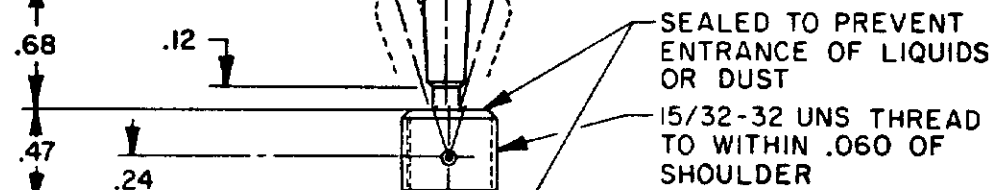
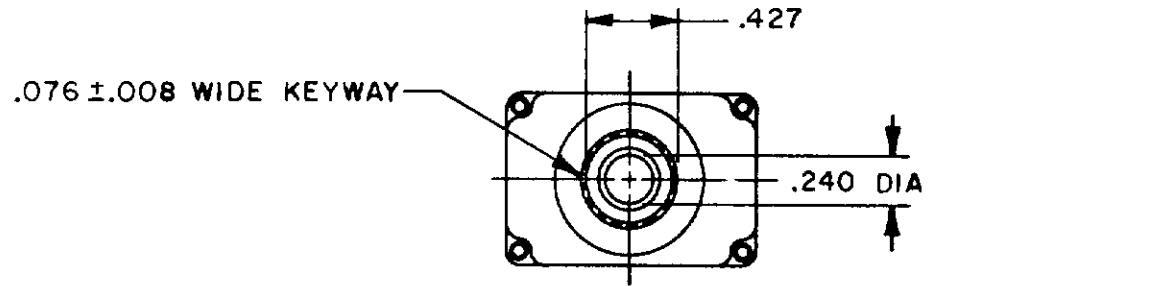
STYLE
NUMBER

MILITARY RATING (AMPS)

RESISTIVE LOAD		LAMP LOAD		INDUCTIVE LOAD	
DC VOLTS	AC VOLTS	28 VDC	125 VAC	28 VDC	125 VAC
28	125	250	125	250	28

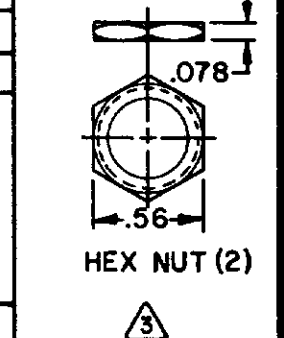
THIS DRAWING COVERS A PROPRIETARY ITEM AND IS THE PROPERTY OF MICRO SWITCH, A DIVISION OF HONEYWELL. THIS DRAWING IS NOT TO BE COPIED OR USED WITHOUT THE APPROVAL OF MICRO SWITCH.

MS 27735-2	12TL1-50	NONE	1	18	.75	.5	11	6	5	2	10	8
MS 27738-2	12TL1-50	E, F, K, L, M, N	2									



"A" LOCKED IN THREE POSITIONS	"B" LOCKED IN CENTER AND EXTREME POSITION (KEYWAY SIDE)	"D" LOCKED OUT OF CENTER POSITION	"E" LOCKED IN CENTER POSITION	"F" LOCKED IN EXTREME POSITION (OPPOSITE KEYWAY)	<p>LOCKWASHER</p>	
"G" LOCKED IN EXTREME POSITION (KEYWAY SIDE)	"H" LOCKED OUT OF CENTER AND EXTREME POSITION (KEYWAY SIDE)	"J" LOCKED OUT OF CENTER AND EXTREME POSITION (OPPOSITE KEYWAY)	"K" LOCKED IN CENTER AND EXTREME POSITION (OPPOSITE KEYWAY)	"L" LOCKED OUT OF EXTREME POSITION (KEYWAY SIDE)		<p>LOCKING RING</p>
"M" LOCKED OUT OF AND INTO EXTREME POSITION (OPPOSITE KEYWAY)	"N" LOCKED OUT OF EXTREME POSITION (OPPOSITE KEYWAY)	"P" LOCKED OUT OF AND INTO EXTREME POSITION (KEYWAY SIDE)				

CIRCUIT MADE WITH TOGGLE LEVER IN		
KEYWAY SIDE	CENTER	OPPOSITE KEYWAY
MOMENTARY POSITION	MAINTAINED POSITION	MAINTAINED POSITION



- NOTES**
- SWITCHES ARE CAPABLE OF WITHSTANDING A TEMPERATURE OF 160°F CONTINUOUSLY AT FULL RATED LOAD
 - CIRCUIT DESIGNATION, MICRO SWITCH CATALOG LISTING, DATE CODE, UL RATING AND MS NUMBER IDENTIFIED ON SIDE OF SWITCH
 - FURNISHED UNASSEMBLED
 - FOR TERMINAL COVER SEE MICRO SWITCH CAT. LIST. 5PA8
 - KEYWAY SHOWN ON LEFT SIDE
 - SUFFIX LETTER MUST BE ADDED FOR DESIRED TYPE OF TOGGLE LOCKING. SEE CHART FOR AVAILABLE LOCKING COMBINATIONS

CATALOG LISTING
M 12TL1-50 SERIES CHART 1
 PAGE 1 OF 1
 ISSUE 4
 REVISIONS:
 A C092297 JAK 16 FEB 98
 B C094428 CS 28 NOV 99
 C 0003086 RS 05 FEB 04
 CHECK 05 FEB 04
 CHECK 23 JUN 04
 CHECK KAG
 CHECK 10 JUN 94
 DRAWN LJE
 FORMTEK
 12TL1-50 SERIES
 RELEASE NO CO-78465
 REPLACES

SCALE FULL
DO NOT SCALE PRINT
UNLESS OTHERWISE NOTED
DIMENSIONS ARE IN INCHES
TOLERANCES ARE:
ONE PLACE (.0)
TWO PLACE (.00)
THREE PLACE (.000)
ANGLES
WEIGHT .15 LB APPROX

10A-125, 250, 277VAC
1/4-125VAC; 1/2HP-250, 277VAC
3A-125VAC "L" L192