

SPECIFICATIONS

Mechanical

Operating Force & Durability: 100±30gf 100000 Cycles
 160±50gf 100000 Cycles
 260±80gf 100000 Cycles

Travel: 0.25+0.1/-0.20mm

Solderability: 240 max. 20s min

Electrical

Rating: 20mA max 15V DC max

Contact Resistance: 50m max

Insulation Resistance: 50M min

Dielectric Withstanding Voltage: 250V AC for 1 Minute

Bounce: 10ms max

Physical

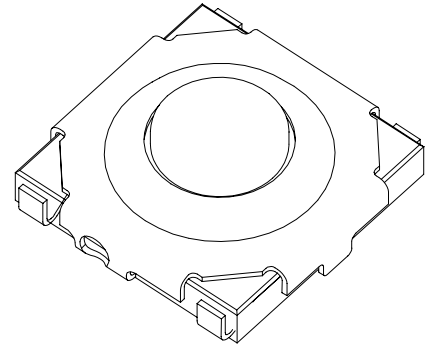
Operating Temperatures: -20 to +70

Package: 4000PCS/Reel, 20Reels/Package

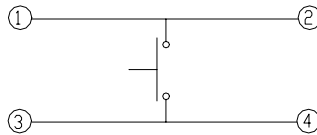
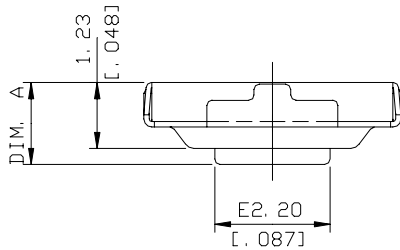
Tact Switch

1BT002 J Series

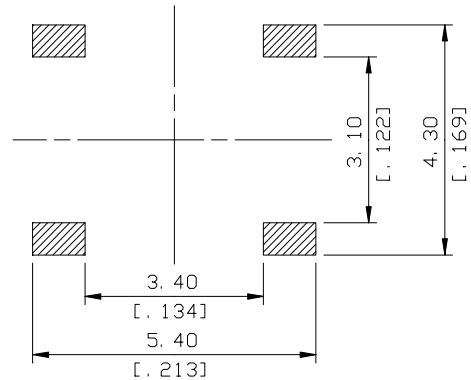
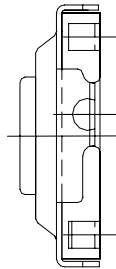
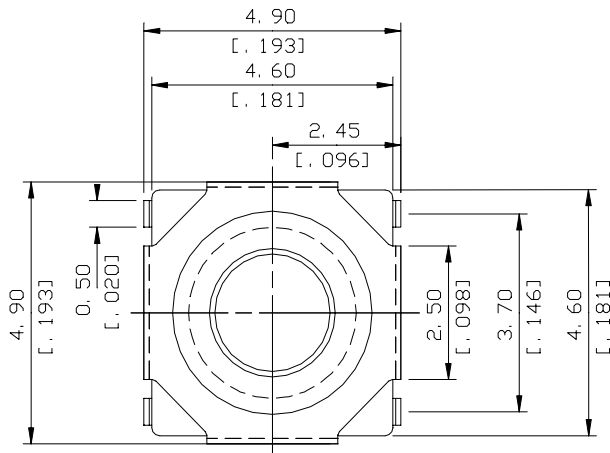
Vertical SMT Type,



DRAWING



CIRCUIT SCHEMATIC



RECOMMENDED P. C. B. LAYOUT

ORDERING INFORMATION

PRODUCT NO.: 1BT002-0****-***

Switch Series _____
 Tact Type _____
 Product Series _____
 Prod. Size: 0=4.9mm*4.9mm
 Total Height: _____
 0=0.8mm
 1=1.5mm

Plating:
 0=Standard
 L=Lead-free

Terminal:
 0=L SMT
 1=J SMT

Operating Force:
 1=100gf
 2=160gf
 3=260gf

Modification Code:
 None=w Ground
 001=w/o Ground

1BT002-0131*	260±80gf	1.5
1BT002-0121*	160±50gf	1.5
1BT002-0111*	100±30gf	1.5
1BT002-0031*	260±80gf	0.8
1BT002-0021*	160±50gf	0.8
1BT002-0011*	100±30gf	0.8
P/N	OPERATING FORCE	DIM. A

SPECIFICATIONS

Mechanical

Operating Force & Durability: 100±30gf 1000000 Cycles
 160±50gf 1000000 Cycles
 260±80gf 100000 Cycles

Travel: 0.25+0.1/-0.20mm

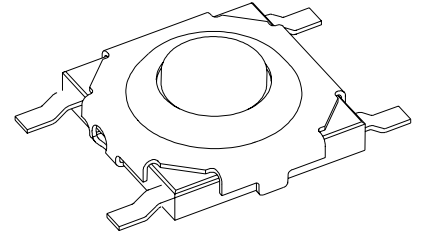
Electrical

Rating: 20mA max 15V DC max
Contact Resistance: 50m max
Insulation Resistance: 50M min
Dielectric Withstanding Voltage: 250V AC for 1 Minute
Bounce: 10ms max
Solderability: 240 max. 20s min

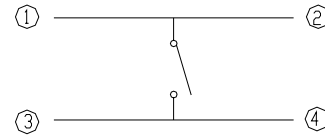
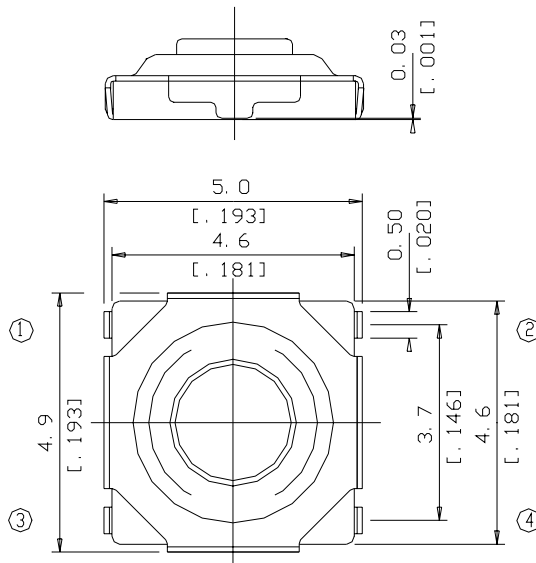
Physical

Operating Temperatures: -20 to +70
Package: 4000PCS/Reel, 20Reels/Package

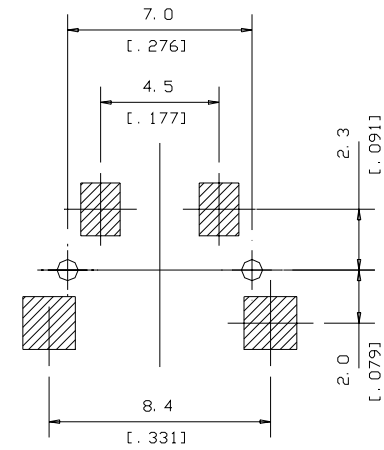
Tact Switch, 1BT002 L Series Vertical SMT Type,



DRAWING



CIRCUIT DIAGRAM



RECOMMENDED PCB LAYOUT

ORDERING INFORMATION

PRODUCT NO.: 1BT002-0***-***

Switch Series
 Tact Type

Product Series
 Prod. Size: 0=4.9mm*4.9mm
 Total Height:
 0=0.8mm
 1=1.5mm

Plating:
 0=Standard
 L=Lead-free
 Terminal:
 0=L SMT
 1=J SMT
 Operating Force:
 1=100gf
 2=160gf
 3=260gf

Modification Code:
 None=w/o Ground
 001=w/o Ground

1BT002-0130*	260±80gf	1.5
1BT002-0120*	160±50gf	1.5
1BT002-0110*	100±30gf	1.5
P/N	OPERATING FORCE	DIM. A