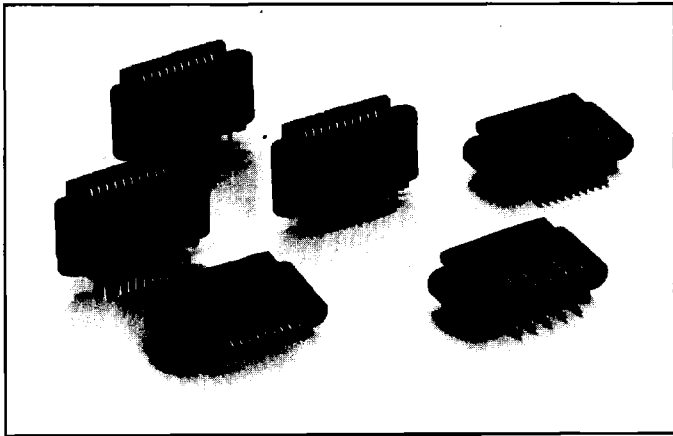


.050" (1.27mm) Series 238, 239 & 240 Ultra Thin Card Edge Connector

.050 (1.27) Centers

Card Edge

Dip Solder Terminals With Mounting Ears



PART NUMBER CODING

2XX-21-XXXDS-XX

CONTACT PLATING

CONTACT SURFACE TERMINATION

20 = .000010 GOLD .000100 TIN/LEAD

23 = .000030 GOLD .000100 TIN/LEAD

ALL GOLD PLATED OVER .000050

NICKEL

FOR OTHER PLATINGS CONSULT

FACTORY

NUMBER OF CONTACTS

10 = 5/10

12 = 6/12

20 = 10/20

30 = 15/30

40 = 20/40

50 = 25/50

60 = 30/60

80 = 40/80

100 = 50/100

SERIES DESCRIPTION

38 = IN LINE INTERNAL

39 = IN LINE EXTERNAL

40 = STAGGERED

Features

- Ultra thin .488" x .281" wide
- High density miniature card edge connector with special tuning fork contact design
- Dual readout connector
- Terminal row spacing — see mounting patterns
- Nine circuit sizes: 5/10, 6/12, 10/20, 15/30, 20/40, 25/50, 30/60, 40/80 & 50/100
- Will accept printed circuit board thickness variation of .054" to .070" (1.37 to 1.78)
- Designed with test point capabilities
- Potential applications include standard and thin film memory planes, diodes on insulating substrates and virtually any type of modular plug-in unit
- Meets performance criteria of MIL-C-21097

Specifications

Operating Voltage: 375 VAC rms at sea level

Current Rating: 1 Amp continuous

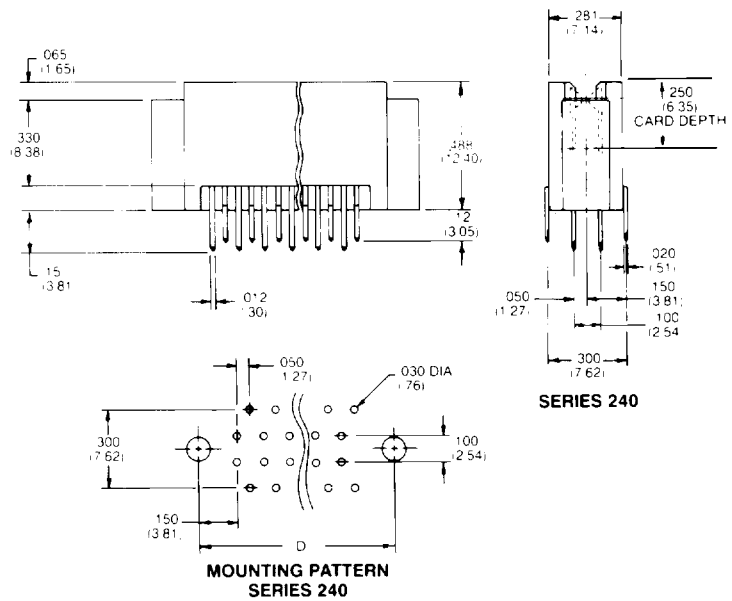
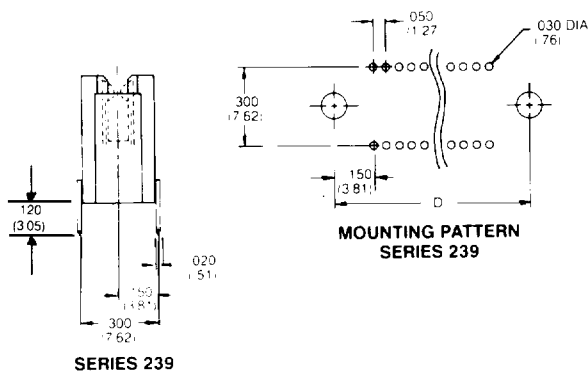
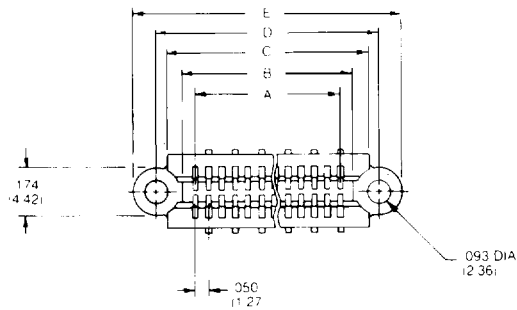
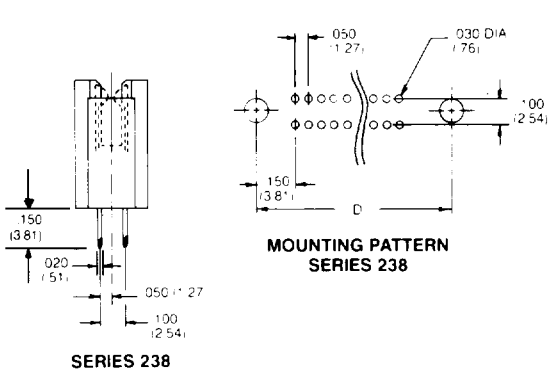
Contact Resistance: 6 milliohms, 30 millivolts at rated current

Contact Material: Copper alloy

Contact Plating: See part number coding

Insulator Material: Polyester glass filled, 94V-0 rated per MIL-M-24519, black

D



| PART NUMBER | NUMBER OF CONTACTS | NUMBER OF CONTACTS | | | | |
|------------------|--------------------|--------------------|------------------|------------------|------------------|------------------|
| | | A | B | C | D | E |
| 2XX-21-010DS-XX | 10 | .200 (5.08) | .300 (7.62) | .425 (10.80) | .500 (12.70) | .675 (17.15) |
| 2XX-21-012-DS-XX | 12 | .250 (6.35) | .350 (8.89) | .475 (12.07) | .550 (13.97) | .725 (18.42) |
| 2XX-21-020DS-XX | 20 | .450 (11.43) | .550 (13.97) | .675 (17.15) | .750 (19.05) | .925 (23.50) |
| 2XX-21-030DS-XX | 30 | .700 (17.78) | .800 (20.32) | .925 (23.50) | 1.000 (25.40) | 1.175 (29.85) |
| 2XX-21-040DS-XX | 40 | .950 (24.13) | 1.050 (26.67) | 1.175 (29.85) | 1.250 (31.75) | 1.425 (36.20) |
| 2XX-21-050DS-XX | 50 | 1.200 (30.48) | 1.300 (33.02) | 1.425 (36.20) | 1.500 (38.10) | 1.675 (42.55) |
| 2XX-21-060DS-XX | 60 | 1.450 (36.83) | 1.550 (39.37) | 1.675 (42.55) | 1.750 (44.45) | 1.925 (48.90) |
| 2XX-21-080DS-XX | 80 | 1.950 (49.53) | 2.050 (52.07) | 2.175 (55.25) | 2.250 (57.15) | 2.425 (61.60) |
| 2XX-21-100DS-XX | 100 | 2.450 (62.23) | 2.550 (64.77) | 2.675 (67.95) | 2.750 (69.85) | 2.925 (74.30) |

ALL DIMENSIONS ARE IN INCHES
DIMENSIONS IN () ARE IN MILLIMETERS

D