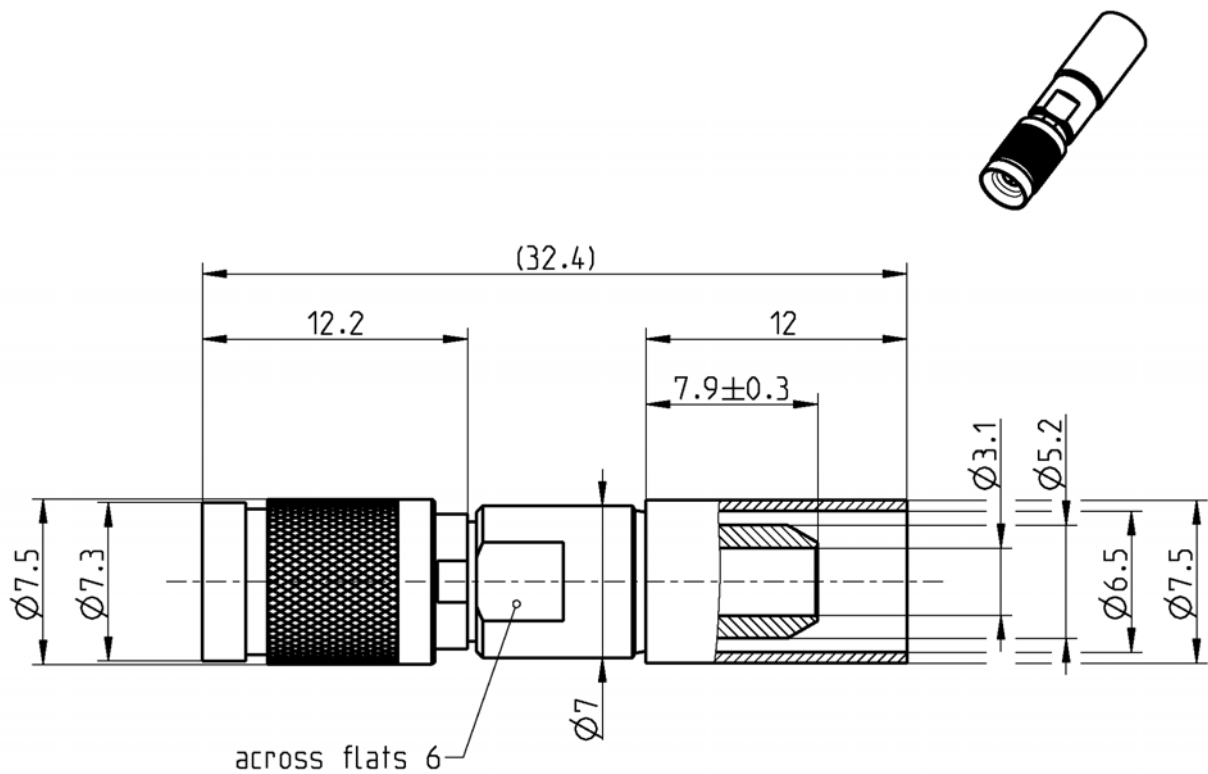


1.0/2.3 STRAIGHT PLUG  
(75Ω) QUICK-LOCK

**734S160-148H3**



All dimensions are in mm; tolerances according to ISO 2768 m-H

**Interface**

According to CECC 22 230, DIN 47297

**Documents**

Assembly instruction 34 A7

**Material and plating**

**Connector parts**

	<b>Material</b>	<b>Plating</b>
Center contact	Beryllium copper	Gold, min. 1.27 µm, over nickel
Outer contact	Beryllium copper	Gold, min. 1.27 µm, over nickel
Body	Brass	Nickel, 2.5-5 µm
Dielectric	PTFE	
Centering sleeve	Brass	Nickel, 2.5-5 µm
Crimping ferrule	Copper	Nickel, 2.5-5 µm

1.0/2.3 STRAIGHT PLUG  
(75Ω) QUICK-LOCK

**734S160-148H3**

**Electrical data**

Impedance	75 Ω
Frequency	DC to 2 GHz
Return loss	≥ 20 dB, DC to 2 GHz
Insertion loss	≤ 0.05 x √f(GHz) dB
Insulation resistance	≥ 2x10 <sup>3</sup> MΩ
Center contact resistance	≤ 4 mΩ
Outer contact resistance	≤ 2.5 mΩ
Test voltage	750 V rms
Working voltage	250 V rms
RF-leakage	≥ 90 dB up to 1 GHz

- Limitations are possible due to the used cable type -

**Mechanical data**

Mating cycles	≥ 500
Center contact captivation	≥ 10 N
Engaging and disengaging force	0.9 N to 10 N
Coupling mechanism retention force	≥ 200 N (screw version, quick-lock)

**Environmental data**

Temperature range	-40°C to +85°C	
Climatic class	IEC 60068-2-1 40/85/21	
	IEC 60068-2-2	
	IEC 60068-2-3	
Vibration	IEC 60068-2-6	10 Hz to 2000 Hz, 100m/s <sup>2</sup>

**Tooling**

Crimping tool	11W150-000
Crimp insert	11W150-509

**Suitable cables**

TZC 75005, 2YC(ms)CY 0.5/3.0

**Packing**

Standard	1 pce in bag (S0001S), 100 pcs in bag (B0100S)
Weight	6.5 g/pce

While the information has been carefully compiled to the best of our knowledge, nothing is intended as representation or warranty on our part and no statement herein shall be construed as recommendation to infringe existing patents. In the effort to improve our products, we reserve the right to make changes judged to be necessary.

Draft	Date	Approved	Date	Rev.	Engineering change number	Name	Date
Inge Mühlauer	21/09/04	Rong Fang	16/11/05	b00	05-0567	Inge Mühlauer	16/11/05
Rosenberger Hochfrequenztechnik GmbH & Co. KG P.O.Box 1260 D-84526 Tittmoning Germany <a href="http://www.rosenberger.de">www.rosenberger.de</a>					Tel.: +49 8684 18-0 Fax: +49 8684 18-499 email: <a href="mailto:info@rosenberger.de">info@rosenberger.de</a>		Page 2 / 2