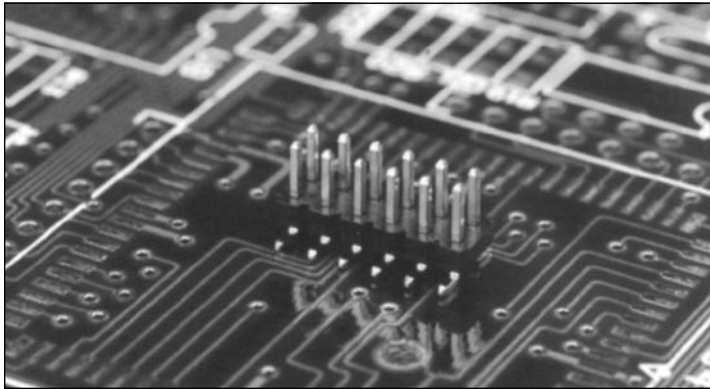




# .079" (2mm) Dual Row Surface Mount, Vertical Headers



## 8100 SERIES "POST/BOXE"

PART NUMBER LEGEND

**810X-21-2XX-XX**

PIN LENGTH (SEE TABLE II)

NUMBER OF POSITIONS PER ROW (SEE TABLE I)

PLATING OPTION  
(SEE NOTE #2)

**MATING CONNECTORS: 8000 SERIES**

### NOTES

1) INSULATOR MATERIAL: 46 NYLON 30% GLASS REINFORCED, UL 94V-0  
COLOR: BLACK

CONTACT MATERIAL: PHOSPHOR BRONZE

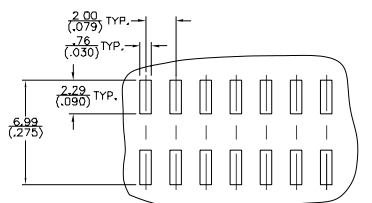
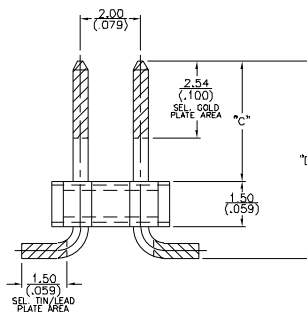
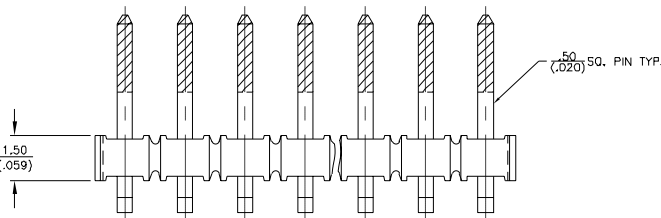
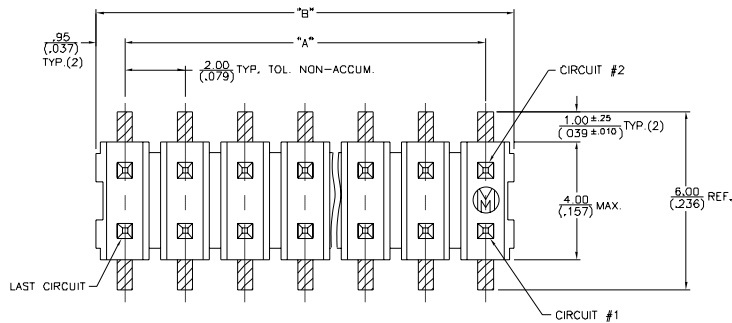
2) CONTACT FINISH:

810Q-21-2XX-XX .000150/.000250 90/10 TIN/LEAD OVER .000050/.000150 NICKEL PLATE.

810B-21-2XX-XX .000030 SEL GOLD PLATE OVER .000050/.000150 NICKEL PLATE ALL OVER;.0001-.0002 SEL. 90/10 TIN/LEAD PLATE.

810E-21-2XX-XX .000015 SEL GOLD PLATE OVER .000050/.000150 NICKEL PLATE ALL OVER;.0001-.0002 SEL. 90/10 TIN/LEAD PLATE.

3) ALL DIMENSIONS ARE IN  $\frac{MM}{(IN.)}$



RECOMMENDED P.C. BOARD LAYOUT  
SCALE 4/1

TABLE I

PART NUMBER	NO OF CIRCUITS	DIM. "A"	DIM. "B"
810X-21-202-XX	4	2.00 (.079)	3.90 (.154)
↑	↑	↑	↑
↑ -203	6	4.00 (.157)	5.90 (.232)
↑ -204	8	6.00 (.236)	7.90 (.311)
↑ -205	10	8.00 (.315)	9.90 (.390)
↑ -206	12	10.00 (.394)	11.90 (.469)
↑ -207	14	12.00 (.472)	13.90 (.547)
↑ -208	16	14.00 (.551)	15.90 (.626)
↑ -209	18	16.00 (.630)	17.90 (.705)
↑ -210	20	18.00 (.709)	19.90 (.783)
↑ -211	22	20.00 (.787)	21.90 (.862)
↑ -212	24	22.00 (.866)	23.90 (.941)
↑ -213	26	24.00 (.945)	25.90 (1.020)
↑ -214	28	26.00 (1.024)	27.90 (1.099)
↑ -215	30	28.00 (1.102)	29.90 (1.177)
↑ -216	32	30.00 (1.181)	31.90 (1.256)
↑ -217	34	32.00 (1.260)	33.90 (1.335)
↑ -218	36	34.00 (1.339)	35.90 (1.413)
↑ -219	38	36.00 (1.417)	37.90 (1.492)
↑ -220	40	38.00 (1.496)	39.90 (1.571)
↑ -221	42	40.00 (1.575)	41.90 (1.650)
↑ -222	44	42.00 (1.654)	43.90 (1.729)
↑ -223	46	44.00 (1.732)	45.90 (1.807)
↑ -224	48	46.00 (1.811)	47.90 (1.886)
810X-21-225-XX	50	48.00 (1.890)	49.90 (1.965)

TABLE II

PART NUMBER	DIM "C"	DIM "D"
810X-21-2XX-01	3.96 (.156)	6.55 (.258)



North and South America:

Methode Electronics, Inc. Connector Products

1700 Hicks Road • Rolling Meadows, IL 60008 USA

847-392-3500 • Toll Free: 800-323-6864 • Fax: 847-392-9404

Email: info@methode.com • Web: www.methode.com/connector/index.html

Europe:

Methode Electronics Ireland, Ltd.

Unit H, Crossagalla Business Park, Ballysimon Rd. • Limerick, Ireland

+353 (0) 61 401222 • Fax: +353 (0) 61 401942

Email: info@methode.ie • Web: ireland.methode.com/main.html

Far East:

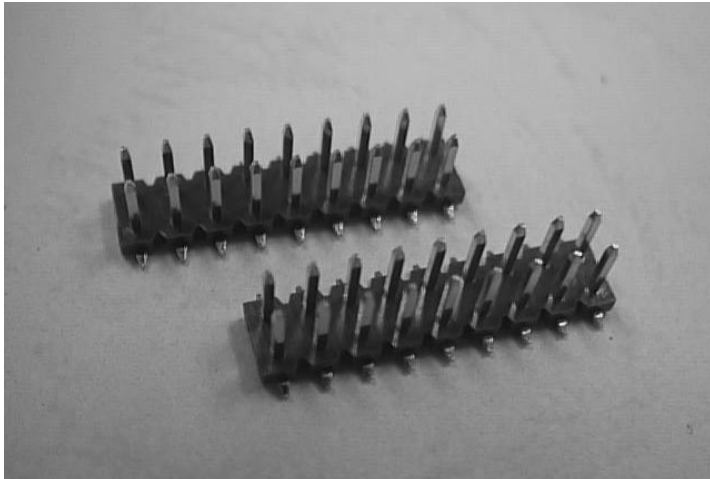
Methode Electronics Far East, Pte. Ltd.

1 Tuas Lane, Jurong Town • Singapore 638610

65-68615444 • Fax: 65-68614777

Email: sales@methode.com.sg • Web: www.methode.com/mefe/index.html

# .079" (2mm) Dual Row Surface Mount, Vertical Headers



## 8100 SERIES "SMT Header"

PART NUMBER LEGEND

**817X-81-2XX-XX**

**MATING LENGTH**

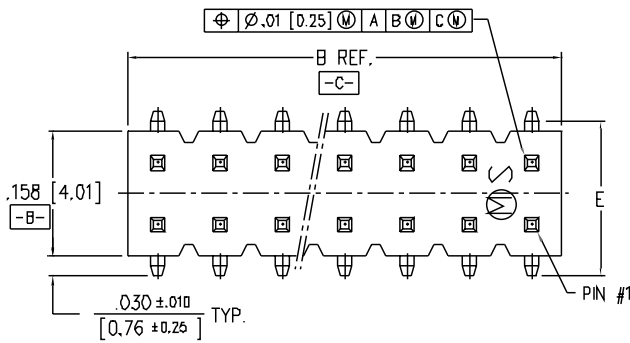
**NUMBER OF POSITIONS PER ROW**  
(e.g. 9 positions = 18 pins)

**PLATING OPTION**

M = .000015" gold plate

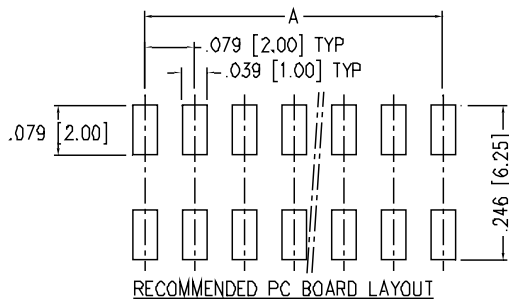
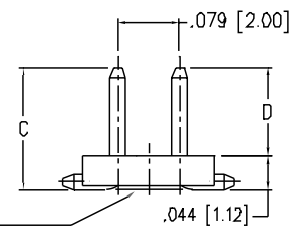
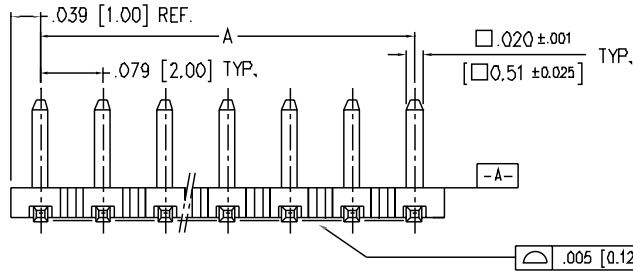
### NOTES

- INSULATOR : POLYPHENYLENE SULFIDE, (PPS) NATURAL, UL94V-0  
PINS : PHOSPHOR BRONZE
- PIN FINISH :  
M : 0.000015" min. Gold plate over 0.000050" min. Nickel plate.



81XX-81-210-XX	20	.709/18.00	.787/20.00
81XX-81-209-XX	18	.630/16.00	.708/18.00
81XX-81-208-XX	16	.551/14.00	.630/16.00
81XX-81-207-XX	14	.472/12.00	.551/14.00
81XX-81-206-XX	12	.394/10.00	.472/12.00
81XX-81-205-XX	10	.315/8.00	.394/10.00
81XX-81-204-XX	8	.236/6.00	.315/8.00
81XX-81-203-XX	6	.157/4.00	.236/6.00
PART NUMBER	NUMBER OF CIRCUITS	DIM A	DIM B REF.

TABLE I



81XX-81-2XX-08	.152±.004/3.86±0.10	.108±.008/2.74±0.20	.210±.010/5.33±0.25
81XX-81-2XX-06	.189±.005/4.80±0.13	.144±.005/3.68±0.13	.216±.016/5.50±0.40
81XX-81-2XX-04	.180±.010/4.57±0.25	.135±.008/3.43±0.20	-
81XX-81-2XX-02	.120/3.05 MAX.	.075±.008/1.90±0.20	-
81XX-81-2XX-01	.120/3.05 MAX.	.070±.008/1.78±0.20	-
PART NUMBER	DIM C	DIM D	DIM E

TABLE II



North and South America:

Methode Electronics, Inc. Connector Products

1700 Hicks Road • Rolling Meadows, IL 60008 USA

847-392-3500 • Toll Free: 800-323-6864 • Fax: 847-392-9404

Email: info@methode.com • Web: www.methode.com/connector/index.html

Europe:

Methode Electronics Ireland, Ltd.

Unit H, Crossagalla Business Park, Ballysimon Rd. • Limerick, Ireland

+353 (0) 61 401222 • Fax: +353 (0) 61 401942

Email: info@methode.ie • Web: ireland.methode.com/main.html

Far East:

Methode Electronics Far East, Pte. Ltd.

1 Tuas Lane, Jurong Town • Singapore 638610

65-68615444 • Fax: 65-68614777

Email: sales@methode.com.sg • Web: www.methode.com/mefe/index.html