

881.5MHz SMD SAW FILTER

AFS881.5W01-TS4



RoHS
Compliant



3.0 x 3.0 x 1.5mm

FEATURES:

- 3.0 x 3.0 x 1.5mm SMD package
- Low loss 3.0dB
- Suitable for RoHS reflow profile
- High input power 23dBm

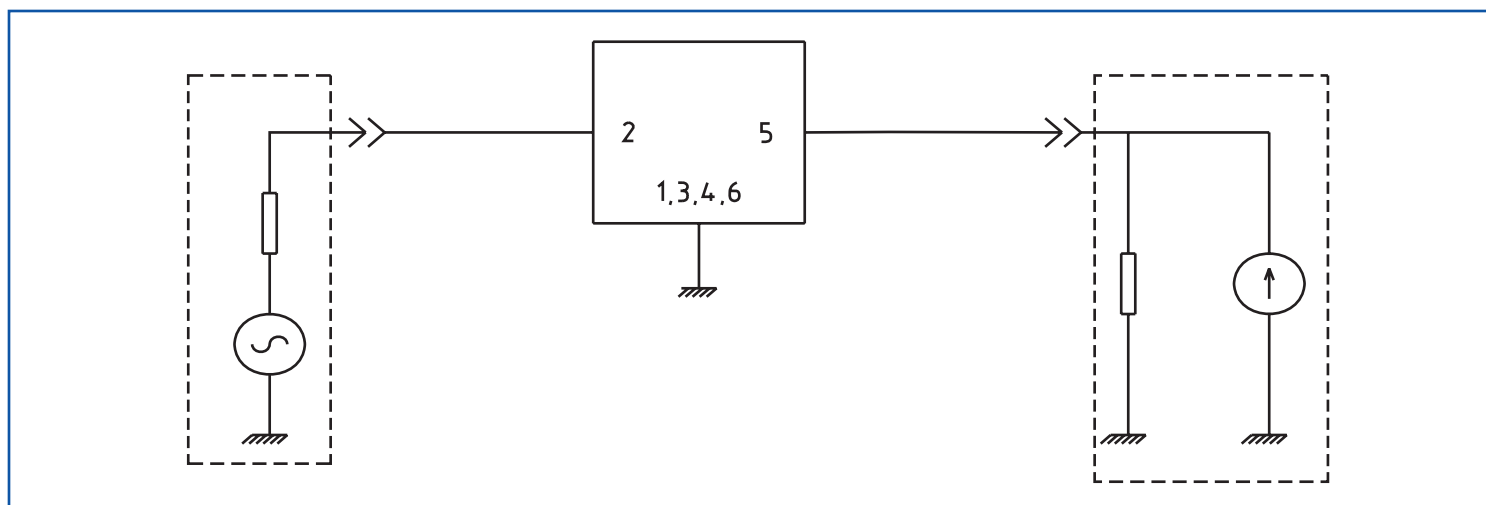
APPLICATIONS:

- WCDMA
- Wireless communication
- PDA

STANDARD SPECIFICATIONS:

Parameters	Minimum	Typical	Maximum	Units	Notes
Center Frequency (f_0)	-----	881.5	-----	MHz	
Passband	-----	25	-----	MHz	
3dB Band Width	-----	40	-----	MHz	
Insertion Loss (Passband)	-----	-----	3.0	dB	869 ~ 894MHz
Return Loss (Passband)	10.0	-----		dB	869 ~ 894MHz
Passband Ripple	-----	-----	1.8	dB	869 ~ 894MHz
Stopband Suppression	20	-----	-----	dB	DC ~ 800MHz
	35	-----	-----	dB	824 ~ 849MHz
	25	-----	-----	dB	978 ~ 1006MHz
	30	-----	-----	dB	1088 ~ 1119MHz
	20	-----	-----	dB	1119 ~ 2600MHz
Terminating Impedance	50 Ω				
Operation Temperature Range	-30	-----	+80	$^{\circ}$ C	
Storage Temperature Range	-40	-----	+85	$^{\circ}$ C	
DC Permissive Voltage	-----	-----	10	Vdc	
Maximum Input Power	-----	-----	23	dBm	

TEST CIRCUIT:

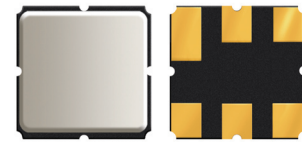


881.5MHz SMD SAW FILTER

AFS881.5W01-TS4

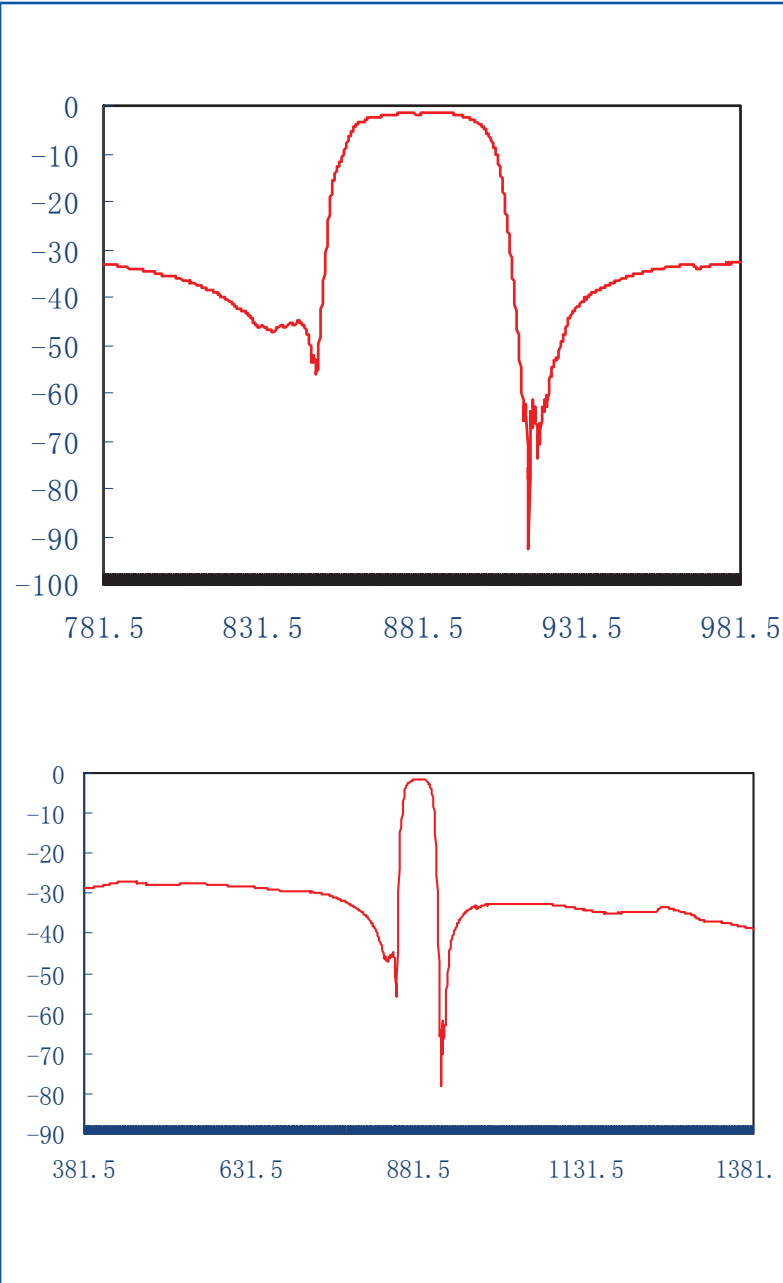


RoHS
Compliant

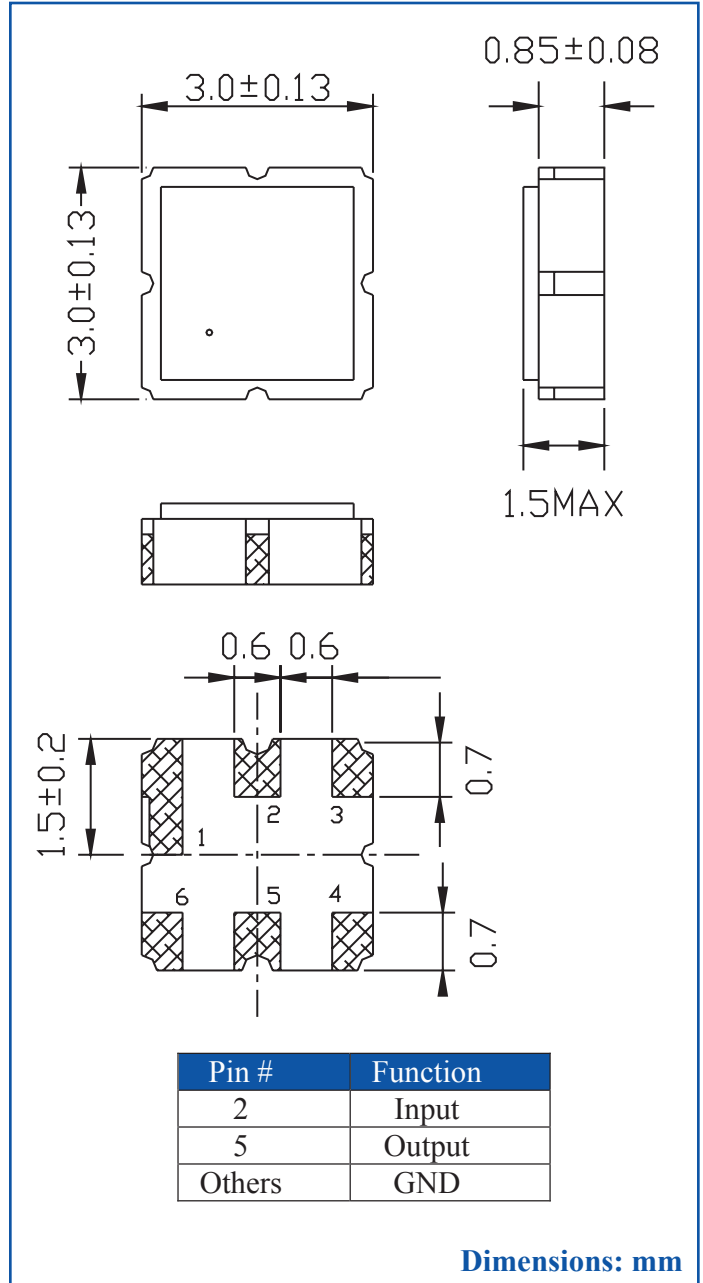


3.0 x 3.0 x 1.5mm

FREQUENCY CHARACTERISTICS:



OUTLINE DIMENSIONS:

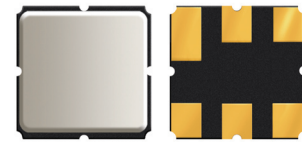


881.5MHz SMD SAW FILTER

AFS881.5W01-TS4

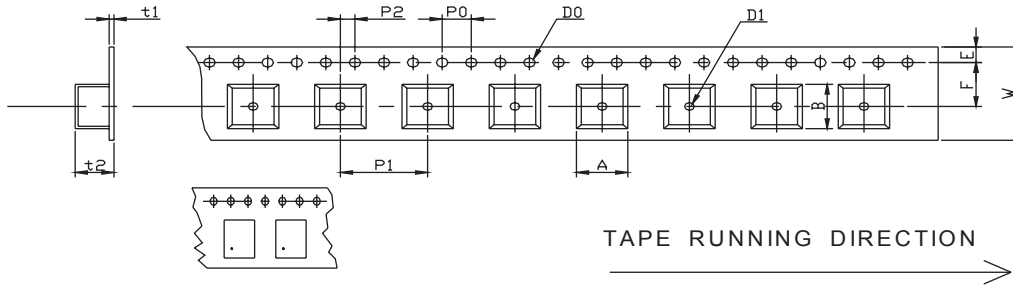


RoHS
Compliant

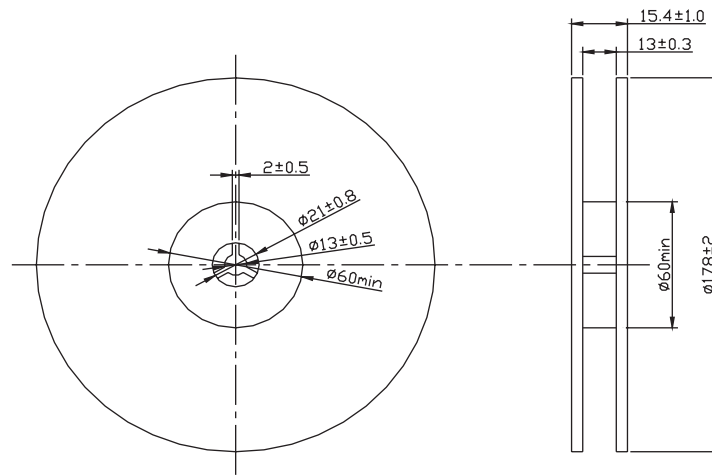


3.0 x 3.0 x 1.5mm

PACKAGING: 3000pcs/reel

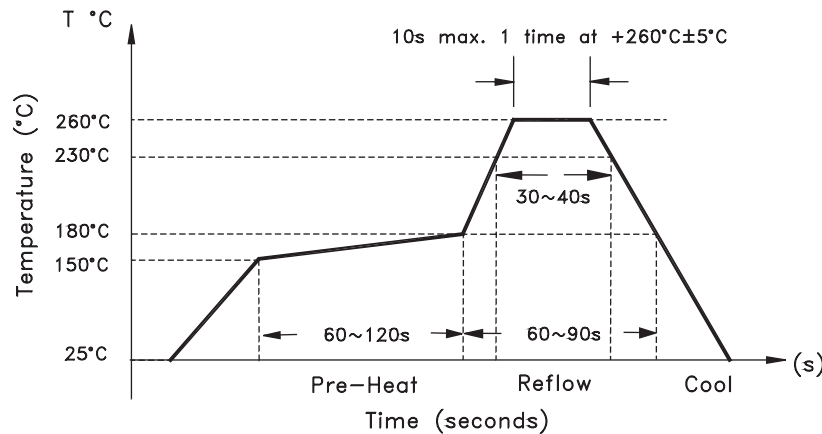


W	F	E	P0	P1	P2	D0	D1	t1	t2	A	B
12.0	5.5	1.75	4.0	4.0	2.0	1.5	1.5	0.31	1.95	3.3	3.3
[±] 0.3	[±] 0.1	[±] 0.1	[±] 0.2	[±] 0.1	[±] 0.2	[±] 0.1	[±] 0.25	max.	max.	max.	max.



Dimensions: mm

REFLOW PROFILE:



Need a test socket for the AFS881.5W01-TS4 Series?
To view compatible **PRECISION TEST & BURN-IN SOCKETS** for these parts, [click here. P/N AXS-3030-06-03](#)

ATTENTION: Abracon Corporation's products are COTS – Commercial-Off-The-Shelf products; suitable for Commercial, Industrial and, where designated, Automotive Applications. Abracon's products are not specifically designed for Military, Aviation, Aerospace, Life-dependant Medical applications or any application requiring high reliability where component failure could result in loss of life and/or property. For applications requiring high reliability and/or presenting an extreme operating environment, written consent and authorization from Abracon Corporation is required. Please contact Abracon Corporation for more information.

ABRACON IS
ISO9001:2008
CERTIFIED



Visit www.abracon.com for Terms & Conditions of Sale **Revised: 10.27.10**
30332 Esperanza, Rancho Santa Margarita, California 92688
tel 949-546-8000 | fax 949-546-8001 | www.abracon.com