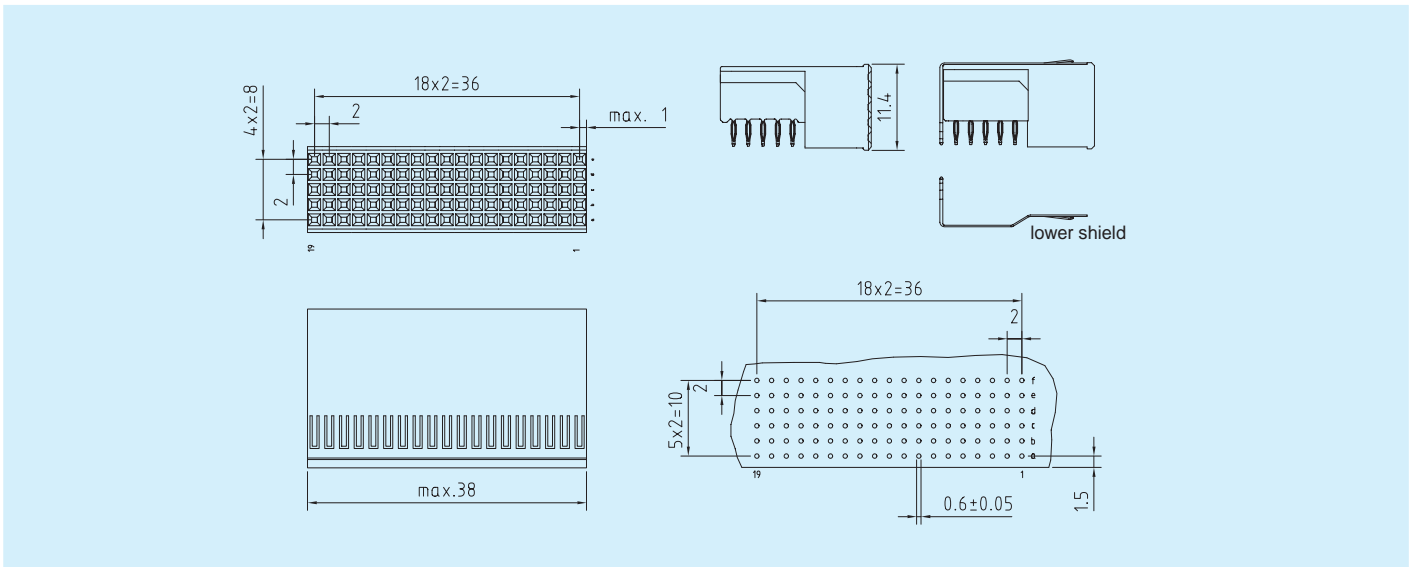


Female Connectors Type B-19 (VME P0 und C-PCI J3)



Type	No. of Positions	Part Numbers
connector without shielding	95	CHM-F-B19-P1-0-1*
		CHM-F-B19-P1-0-2**
connector with shielding	95	CHM-F-B19-P1-S-1*
		CHM-F-B19-P1-S-2**
lower shield		CHM120230-9003

* Performance class I > 500 mating cycles ** Performance class II > 250 mating cycles