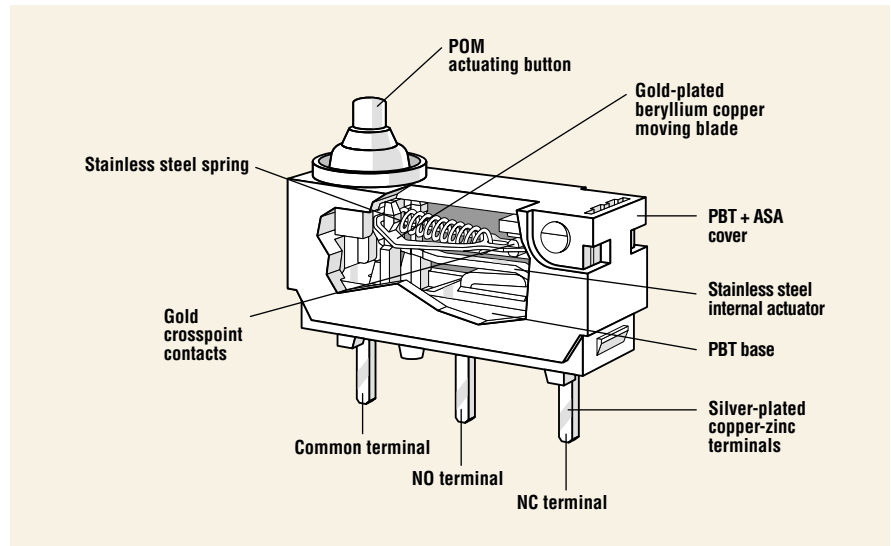


SUBMINIATURE – SEALED

DK Series

Features

- Enclosed switch complying with IP 6K5. IP 6K7 available on request
- Very small dimensions, 0.579" x 0.213" x 0.268" (14.7mm x 5.4mm x 6.8mm)
- Models available for operating temperatures up to 105°C
- Rated for 5mA@12VDC or 2A@12VDC
- Can be actuated vertically or by auxiliary actuator
- Gold crosspoint contacts for high contact stability
- Mechanical life: min. 500,000 operations
- Wide variety of connection options, also available with leads



Specifications

Electrical

Temperature Rating:	-40°C to +85°C
Flammability Rating:	N/A

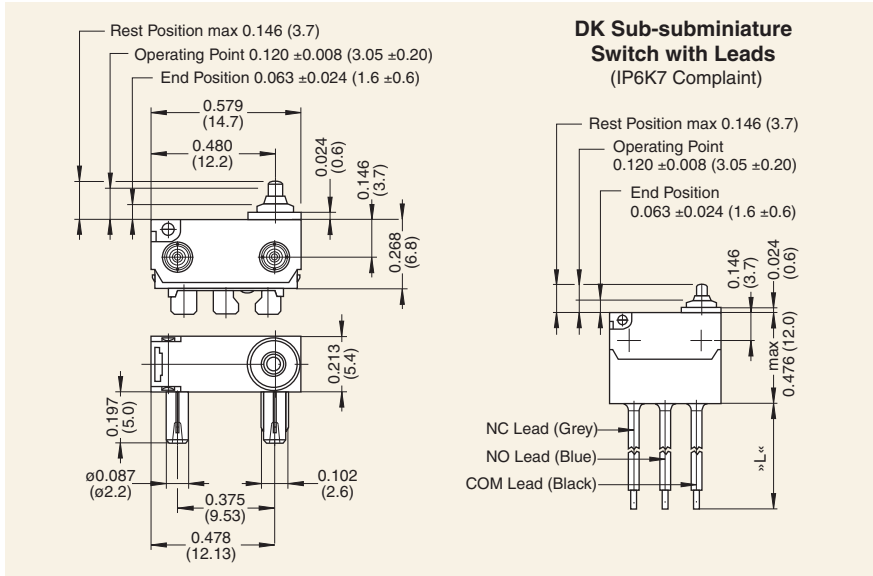
Materials

Base:	PBT
Cover:	PBT + ASA
Actuator:	POM (+85°C)
Auxiliary Actuator:	Stainless Steel
Internal Actuator:	Stainless Steel
Spring:	Stainless Steel
Moving Blade:	Gold-Plated Beryllium Copper
Terminals:	Silver-Plated Copper-Zinc
Contacts:	Gold Crosspoint
Gasket:	Silicon

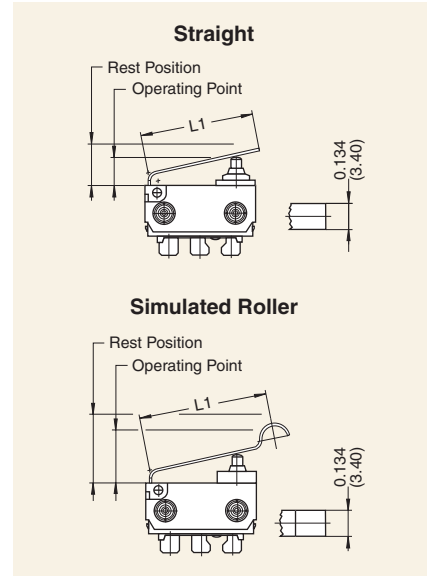
ASA = Acrylonitrile-styrene-acrylicester • PBT = Polybutyleneterephthalate • POM = Polyacetal



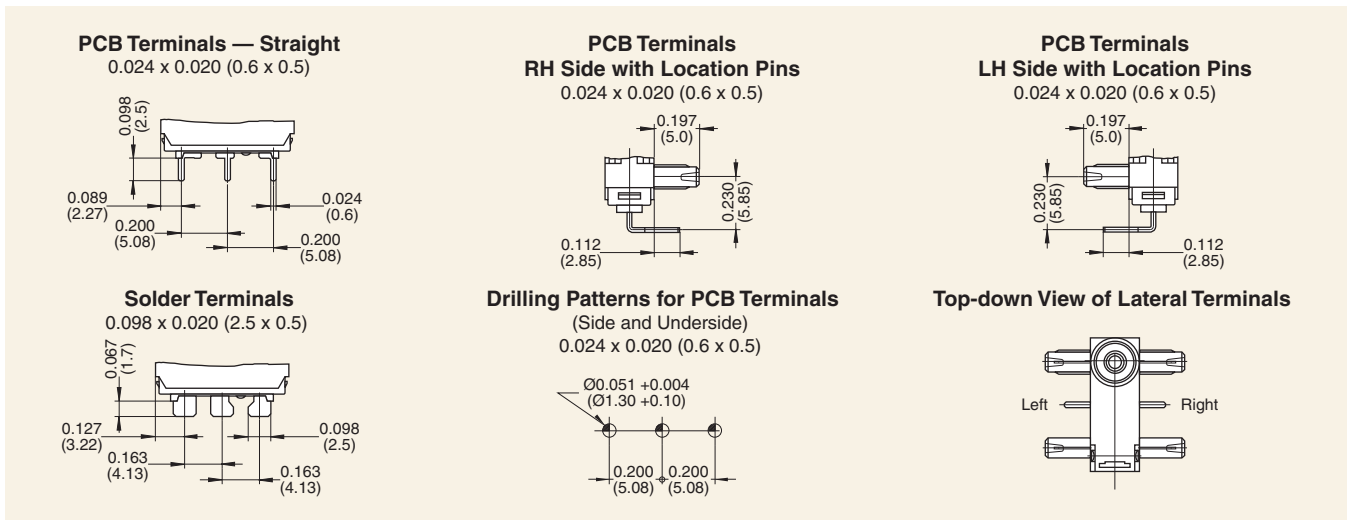
Dimensions inches (mm)



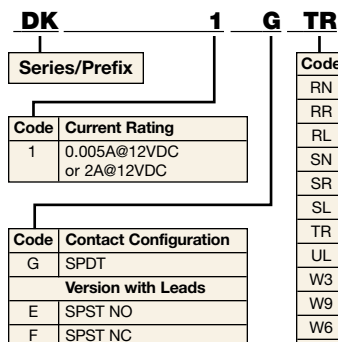
Auxiliary Actuators inches (mm)



Terminal Options inches (mm)



Ordering Information



Code	Terminal Type	inches (mm)
RN	0.098 x 0.020 (2.5 x 0.5) Solder, Straight w/o Pins	
RR	0.098 x 0.020 (2.5 x 0.5) Solder, Straight with RH Pins	
RL	0.098 x 0.020 (2.5 x 0.5) Solder, Straight with LH Pins	
SN	0.024 x 0.020 (0.6 x 0.5) PCB, Straight w/o Pins	
SR	0.024 x 0.020 (0.6 x 0.5) PCB, Straight with RH Pins	
SL	0.024 x 0.020 (0.6 x 0.5) PCB, Straight with LH Pins	
TR	0.024 x 0.020 (0.6 x 0.5) PCB, RH Side with RH Pins	
UL	0.024 x 0.020 (0.6 x 0.5) PCB, LH Side with LH Pins	
W3	9.843 (250) Leads 0.014 ² (0.35 ²) to Underside w/o Pins	
W9	9.843 (250) Leads 0.014 ² (0.35 ²) to Underside with RH Pins	
W6	9.843 (250) Leads 0.014 ² (0.35 ²) to Underside with LH Pins	
Z3	19.685 (500) Leads 0.014 ² (0.35 ²) to Underside w/o Pins	
Z9	19.685 (500) Leads 0.014 ² (0.35 ²) to Underside with RH Pins	
Z6	19.685 (500) Leads 0.014 ² (0.35 ²) to Underside with LH Pins	

A0

Code	Actuator Type
A0	Without Auxiliary Actuator
D1	Straight Spring-Loaded Auxiliary Actuator
E1	Simulated Roller, Spring-Loaded