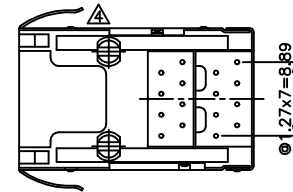
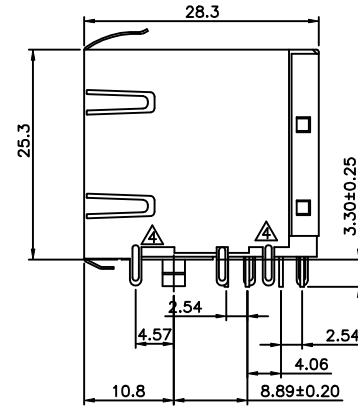
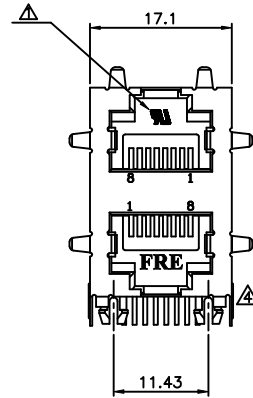
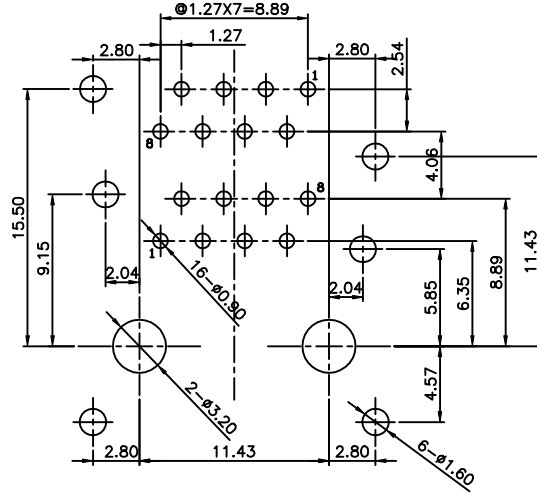


| | | ADD PART NO | | REVISION RECORD | |
|---|--|-------------|--|-----------------|------------------|
| △ | | 12/17/04 | | REV | ECO |
| △ | | 01/26/05 | | | |
| △ | | 04/02/05 | | | |
| | | | | DESCRIPTION | DRFT |
| | | | | ADD LOGO | YUAN 10/20/00 |
| | | | | MODIFY NOTE | YUAN 10/30/00 |
| | | | | | CHKD |



NOTES:

ELECTRICAL:

- VOLTAGE RATING : 125 VAC RMS.
- CURRENT RATING : 1.5 AMP.
- CONTACT RESISTANCE : 50 MILLIOHMS MAX.
- INSULATION RESISTANCE: 1000 MEGOHMS MIN @ 500 VDC.
- DIELECTRIC STRENGTH : 1000 VAC RMS 60Hz, 1MIN.

MECHANICAL:

- HOUSING MATERIAL : GLASS FILLED POLYESTER UL94V-0.
- CONTACT MATERIAL : PHOSPHOR BRONZE Ø0.46mm.
- PLATING : GOLD PLATING OVER NICKEL.
- OPERATING LIFE : 750 CYCLES MIN.
- PCB RETENTION PRE-SOLDER : 1 LB MIN.
- PCB RETENTION POST-SOLDER: 10 LBS MIN.

ENVIRONMENTAL:

- STORAGE : -40°C TO +85°C.
 - OPERATION: 0°C TO 70°C.
- MATES WITH MODULAR PLUG CONFORMING TO FCC PART 68, SUBPART F.

PART NUMBER: E5908-XX012X

- | | | |
|-----------------------|---------|---------|
| 1- W/O TAB | 1- 3u" | 2- 6u" |
| E- W/ TOP & SIDE TABS | 3- 15u" | 4- 30u" |
| | 5- 50u" | |
- △ 1- Tin
7- Nickel

△ PART NUMBER: E5908-XX013X

- | | | |
|-----------------------|---------|---------|
| 1- W/O TAB | 1- 3u" | 2- 6u" |
| E- W/ TOP & SIDE TABS | 3- 15u" | 4- 30u" |
| | 5- 50u" | |
- △ 1- Tin
7- Nickel
- FR52 BK

| | | | | | | | | | | | | |
|--|---|----|---|----------|---|------------|---|--------------|---|--|---|---|
| <p>← MM (INCH) →</p> <p>TOLERANCES EXCEPT AS NOTED</p> <table border="0"> <tr> <td>MM</td> <td>±</td> </tr> <tr> <td>.0 ± 0.2</td> <td>±</td> </tr> <tr> <td>.00 ± 0.15</td> <td>±</td> </tr> <tr> <td>.000 ± 0.075</td> <td>±</td> </tr> </table> <p>ANGLES ± 0.5</p> <p>THIRD ANGLE PROJECTION</p> | | MM | ± | .0 ± 0.2 | ± | .00 ± 0.15 | ± | .000 ± 0.075 | ± | <p>DFTO YUAN DATE 07/25/00</p> <p>CHKD GAWPU DATE 2005/4/4</p> <p>MFO DATE</p> <p>APPV LUSHENG DATE 2005/4/4</p> <p>MATERIAL :</p> <p>QTY :</p> <p>FINISH :</p> <p>SCALE : 2:1</p> | <p>FULL RISE ELECTRONIC CO., LTD</p> <p>TITLE (RJ45 ROUND PIN) STACKED GANG JACK <2x1></p> <p>DRAWING NO. GE593A71</p> <p>/PART NO. SEE NOTE</p> <p>DO NOT SCALE DRAWING</p> | <p>SIZE A3</p> <p>REV 5</p> <p>04/02/05</p> <p>SHEET 1 OF 1</p> |
| MM | ± | | | | | | | | | | | |
| .0 ± 0.2 | ± | | | | | | | | | | | |
| .00 ± 0.15 | ± | | | | | | | | | | | |
| .000 ± 0.075 | ± | | | | | | | | | | | |