

Product Specifications



F1PTM-HF-MT

TNC Male for 1/4 in FSJ1-50A cable

OBSOLETE

Replaced By:

F1PTM-HF

TNC Male for 1/4 in FSJ1-50A cable

CHARACTERISTICS

General Specifications

Interface	TNC Male
Body Style	Straight
Brand	HELIAX®
Mounting Angle	Straight

Electrical Specifications

Connector Impedance	50 ohm
Operating Frequency Band	0 – 6000 MHz
Cable Impedance	50 ohm
3rd Order IMD, typical	-112 dBm @ 910 MHz
3rd Order IMD Test Method	Two +43 dBm carriers
RF Operating Voltage, maximum (vrms)	500.00 V
dc Test Voltage	1500 V
Outer Contact Resistance, maximum	0.40 mOhm
Inner Contact Resistance, maximum	1.50 mOhm
Insulation Resistance, minimum	5000 MOhm
Average Power	0.4 kW @ 900 MHz
Peak Power, maximum	5.00 kW
Shielding Effectiveness	-110 dB

www.commscope.com/andrew

©2011 CommScope, Inc. All rights reserved.

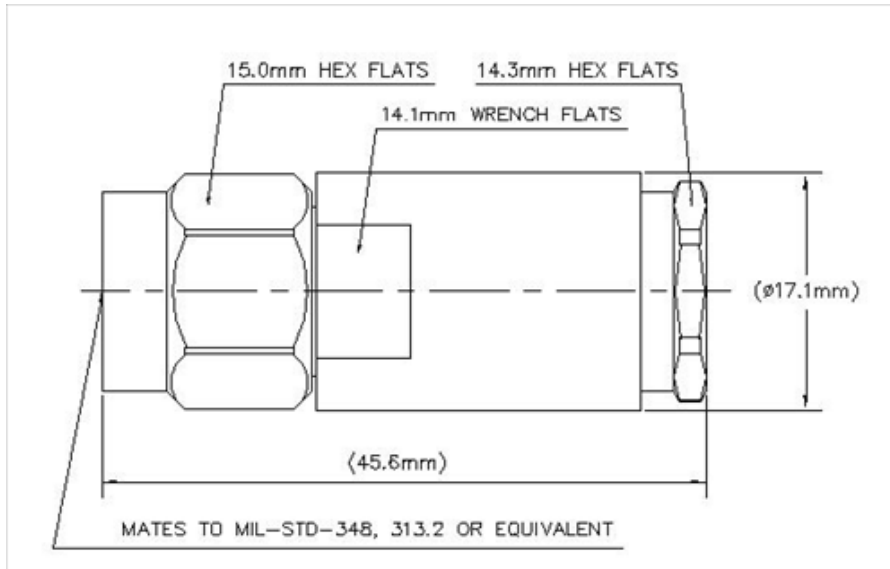
All trademarks identified by ® or ™ are registered trademarks or trademarks, respectively, of CommScope. All specifications are subject to change. See www.commscope.com/andrew for the most current information.

page 1 of 3
6/9/2011

Product Specifications

F1PTM-HF-MT

Outline Drawing



Mechanical Specifications

Outer Contact Attachment Method	Tab-flare
Inner Contact Attachment Method	Captivated
Outer Contact Plating	Trimetal
Inner Contact Plating	Gold
Interface Durability	500 cycles
Interface Durability Method	IEC 61169-4:17
Connector Retention Tensile Force	450 N 101 lbf
Connector Retention Torque	1.40 N-m 1.03 ft lb
Insertion Force	66.72 N 15.00 lbf
Insertion Force Method	IEC 61169-16:9.3.5
Pressurizable	No
Coupling Nut Proof Torque	1.70 N-m 1.25 ft lb
Coupling Nut Proof Torque Method	IEC 61169-16:9.3.11
Coupling Nut Retention Force	445.00 N 100.04 lbf
Coupling Nut Retention Force Method	IEC 61169-17:9.3.11

Dimensions

Nominal Size	1/4 in
Diameter	17.07 mm 0.67 in
Height	17.07 mm 0.67 in
Length	45.64 mm 1.80 in

www.commscope.com/andrew

Product Specifications



F1PTM-HF-MT

Weight 61.21 g | 0.13 lb
Width 17.07 mm | 0.67 in

Environmental Specifications

Operating Temperature	-55 °C to +85 °C (-67 °F to +185 °F)
Storage Temperature	-65 °C to +125 °C (-85 °F to +257 °F)
Moisture Resistance Test Method	IEC 60068-2-3
Mechanical Shock Test Method	IEC 60068-2-27
Thermal Shock Test Method	IEC 60068-2-14
Vibration Test Method	IEC 60068-2-6
Corrosion Test Method	IEC 60068-2-11

Standard Conditions

Attenuation, Ambient Temperature	20 °C 68 °F
Average Power, Ambient Temperature	40 °C 104 °F
Average Power, Inner Conductor Temperature	100 °C 212 °F

Return Loss/VSWR

Frequency Band	VSWR	Return Loss (dB)
824–2700 MHz	1.03	36.00
3000–6000 MHz	1.3	17.70

www.commscope.com/andrew

©2011 CommScope, Inc. All rights reserved.
All trademarks identified by ® or ™ are registered trademarks or trademarks, respectively, of CommScope. All specifications are subject to change.
See www.commscope.com/andrew for the most current information.

page 3 of 3
6/9/2011