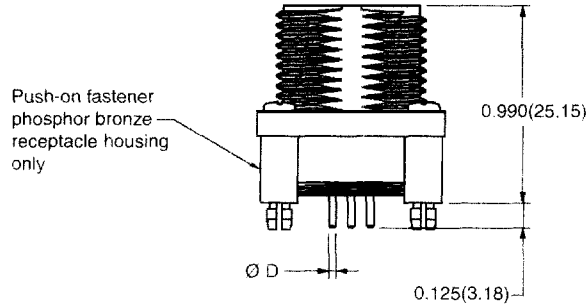


STRAIGHT PRINTED BOARD MOUNT CONNECTOR

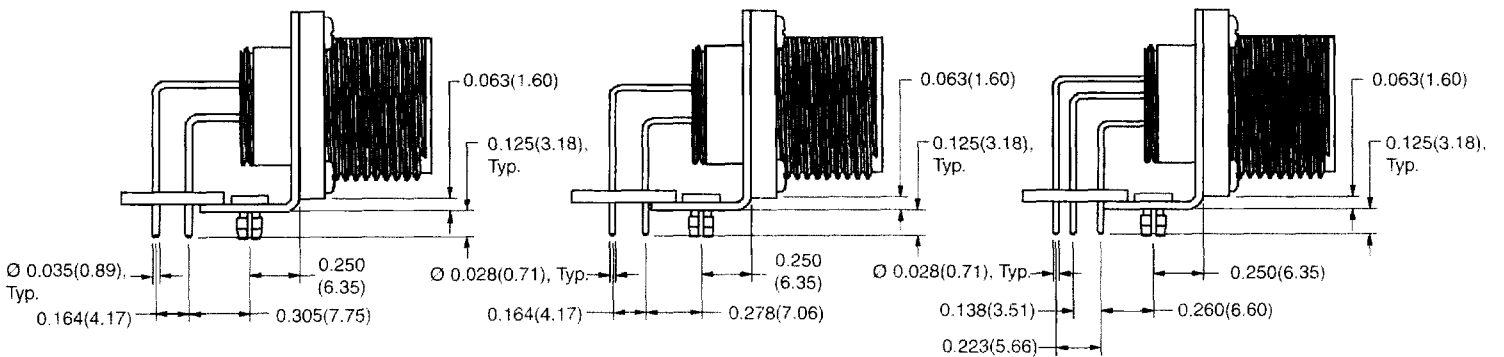
RECEPTACLE HOUSING, MALE OR FEMALE CONTACTS

Contact Size	Ø D
12	0.094(2.39)
16	0.035(0.89)
20	0.028(0.71)
22	0.025(0.64)



Typical Part Number:
FR11FF316K0-1554.0

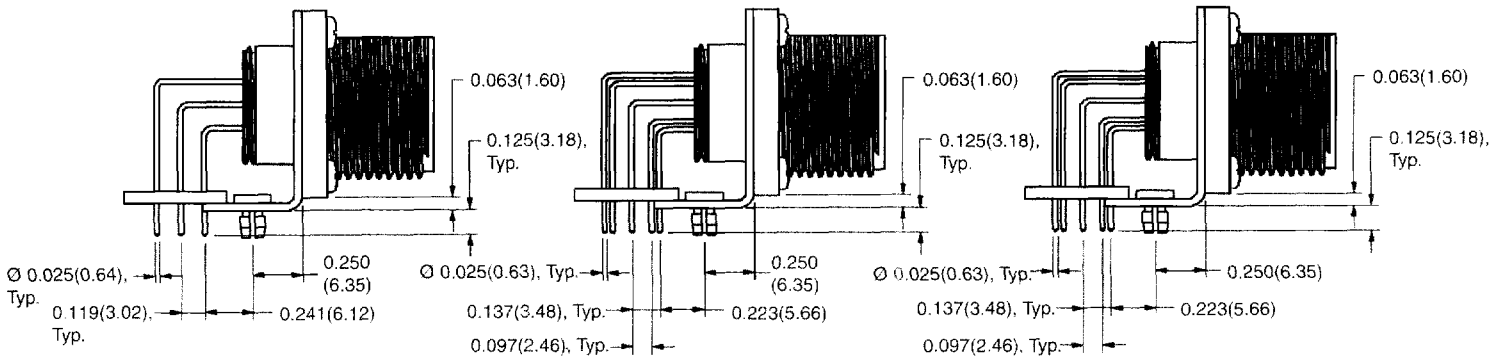
90° PRINTED BOARD MOUNT CONNECTOR



Typical Part Number:
FR11FF316K0-1553.0

Typical Part Number:
FR11FF420K0-1553.0

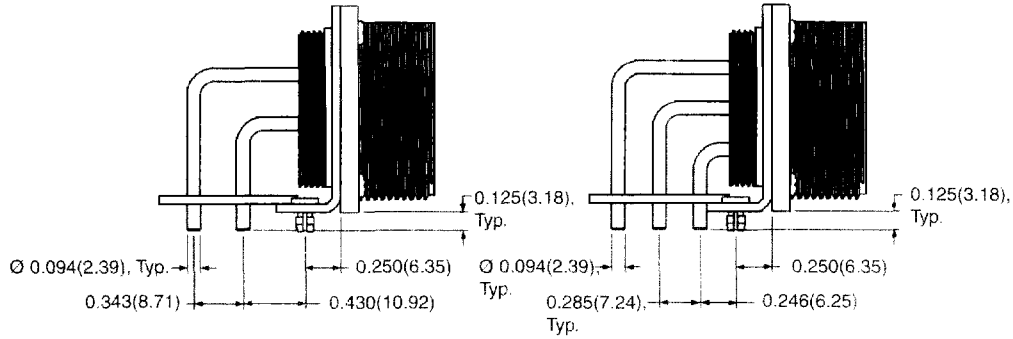
Typical Part Number:
FR11FF520K0-1553.0



Typical Part Number:
FR11FF722K0-1553.0

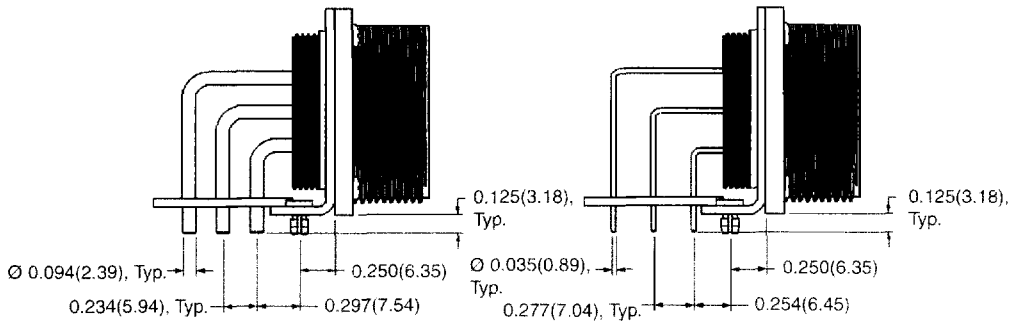
Typical Part Number:
FR11FF822K0-1553.0

Typical Part Number:
FR11FF922K0-1553.0



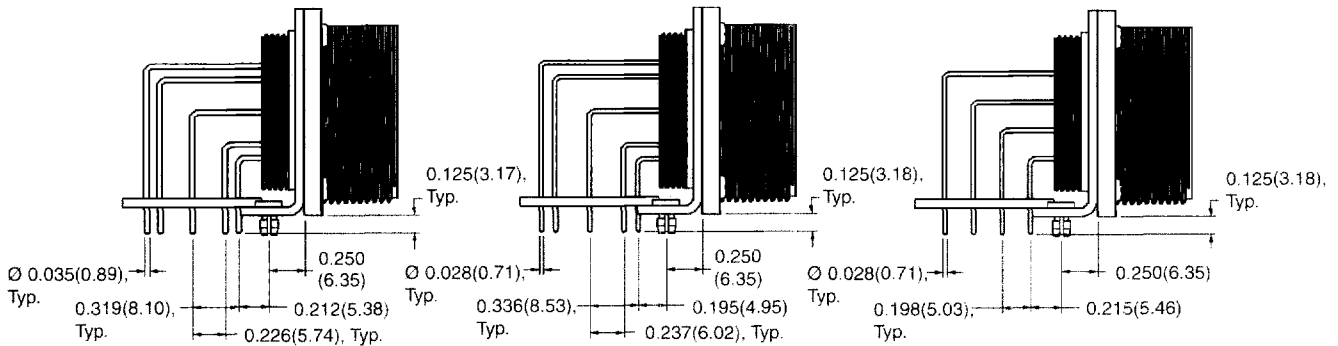
Typical Part Number:
FR19FF312K0-1553.0

Typical Part Number:
FR19FF512K0-1553.0



Typical Part Number:
FR19FF712K0-1553.0

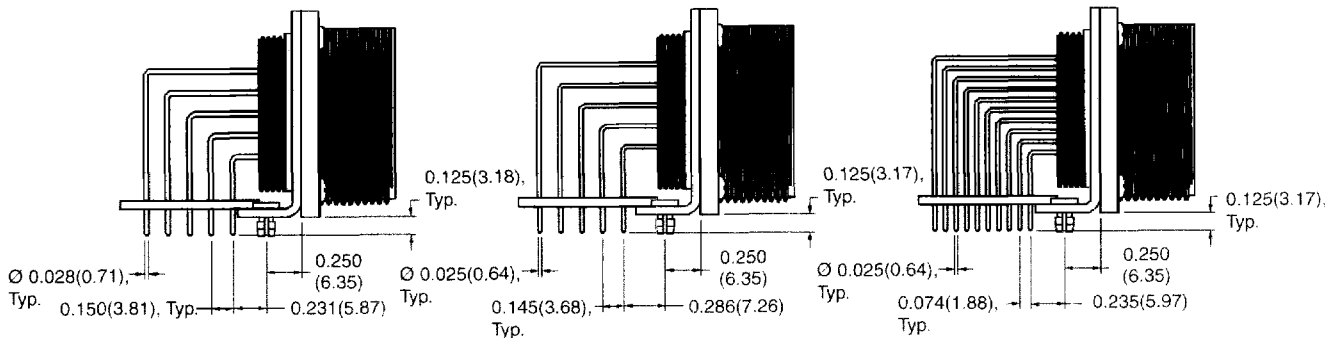
Typical Part Number:
FR19FF716K0-1553.0



Typical Part Number:
FR19FF916K0-1553.0

Typical Part Number:
FR19FF920K0-1553.0

Typical Part Number:
FR19FF1220K0-1553.0



Typical Part Number:
FR19FF1920K0-1553.0

Typical Part Number:
FR19FF1822K0-1553.0

Typical Part Number:
FR19FF2922K0-1553.0