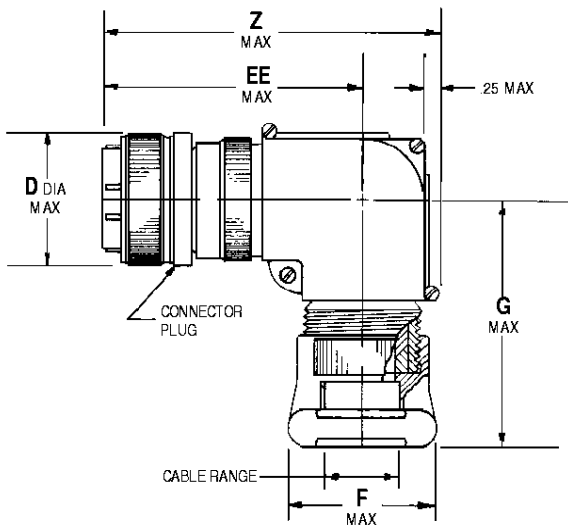
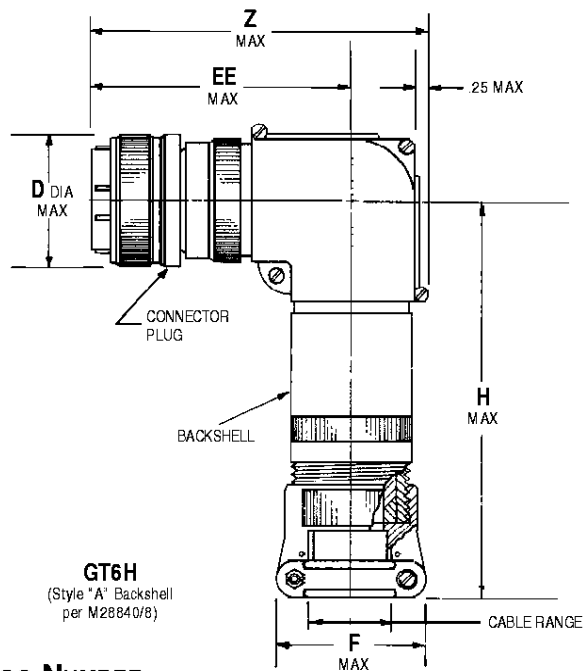


PLUG, 90° ADAPTER ASSEMBLY FOR JACKETED CABLE



GT6G
(Style "B" Backshell
per M28840/8)



GT6H
(Style "A" Backshell
per M28840/8)

SAMPLE CATALOG NUMBER

To complete catalog number, see detailed part number breakdown, pages 9 and 10.

GT6

G

G = 90° Environmental Backshell

H = 90° Environmental / EMI Backshell

Shell Size

Cable Range Designator

A, B, C or D = Cable entry dimension See Table II, Page 23

Shell Polarization
(See Key Polarization Chart,
Page 7)

Contact Type

Insert Arrangement
(Number of Contacts)

M28840/28
GT6G, GT6H } Plug, 90° Adapter Assembly for Jacketed Cable Only

SHELL SIZE	CABLE RANGE DESIGNATOR <i>See Table II, Page 23</i>	D DIA MAX		F MAX		Z MAX		EE MAX		G MAX		H MAX	
		IN	MM	IN	MM	IN	MM	IN	MM	IN	MM	IN	MM
11	A	1.031	26.19	.938	23.83	3.812	96.82	3.250	82.55	2.962	75.23	5.332	135.43
	B	1.031	26.19	1.125	28.57	3.812	96.82	3.250	82.55	2.962	75.23	5.332	135.43
	C	1.281	32.54	1.312	33.32	4.000	101.60	3.375	85.72	3.087	78.41	5.457	138.61
13	A	1.031	26.19	1.125	28.57	3.812	96.82	3.250	82.55	2.962	75.23	5.332	135.43
	B	1.281	32.54	1.312	33.32	4.000	101.60	3.375	85.72	3.087	78.41	5.457	138.61
	C	1.531	38.89	1.312	33.32	4.250	107.95	3.500	88.90	3.312	84.12	5.682	144.32
15	A	1.281	32.54	1.125	28.57	4.000	101.60	3.375	85.72	3.087	78.41	5.457	138.61
	B	1.281	32.54	1.312	33.32	4.000	101.60	3.375	85.72	3.087	78.41	5.457	138.61
	C	1.531	38.89	1.312	33.32	4.250	107.95	3.500	88.90	3.312	84.12	5.682	144.32
17	A	1.531	38.89	1.312	33.32	4.250	107.95	3.500	88.90	3.312	84.12	5.682	144.32
	B	1.531	38.89	1.593	40.46	4.250	107.95	3.500	88.90	3.343	89.91	5.713	145.11
	C	1.531	38.89	1.750	44.45	4.639	117.83	3.556	90.32	3.437	87.30	5.807	147.50
19	A	1.531	38.89	1.312	33.32	4.250	107.95	3.500	88.90	3.312	84.12	5.682	144.32
	B	1.781	45.24	1.750	44.45	4.375	111.12	3.625	92.07	3.462	87.93	5.832	148.13
23	A	1.781	45.24	1.593	40.46	4.500	114.30	3.625	92.07	3.368	85.55	5.738	145.75
	B	1.781	45.24	1.750	44.45	4.500	114.30	3.625	92.07	3.462	87.93	5.832	148.13
	C	1.781	45.24	2.093	53.16	4.688	119.08	3.625	92.07	3.649	92.68	6.019	152.88
25	A	1.781	45.24	1.750	44.45	4.500	114.30	3.625	92.07	3.462	87.93	5.832	148.13
	B	1.781	45.24	2.093	53.16	4.688	119.08	3.625	92.07	3.649	92.68	6.019	152.88
	C	2.031	51.59	2.093	53.16	4.688	119.08	3.750	95.25	3.774	95.86	6.144	156.06
	D	2.031	51.59	2.343	59.51	4.936	125.42	3.750	95.25	3.806	96.67	6.176	156.87
29	A	2.031	51.59	2.093	53.16	4.812	122.22	3.750	95.25	3.774	95.86	6.144	156.06
	B	2.031	51.59	2.343	59.51	4.938	125.42	3.750	95.25	3.806	96.67	6.176	156.87
33	A	2.531	64.29	2.343	59.51	5.188	131.77	4.000	101.60	4.056	103.02	6.426	163.22
	B	2.531	64.29	2.750	69.85	5.375	136.52	4.000	101.60	4.331	110.01	6.701	170.21