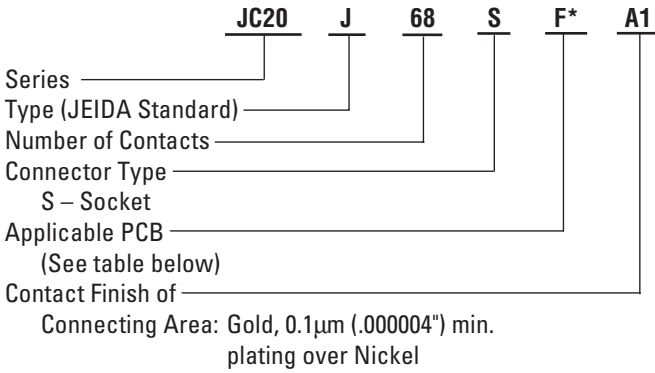


JC20 SERIES CONNECTORS

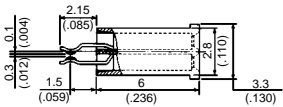
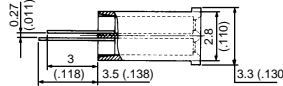
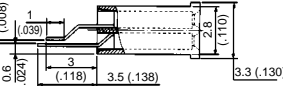
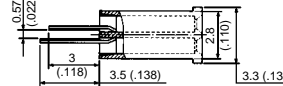
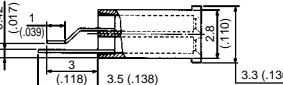
Two-Piece Connectors for IC Memory Cards

JC20 SERIES J TYPE CONNECTORS • SOCKET CONNECTOR FOR CARD SIDE STRADDLE, SURFACE MOUNT TYPE

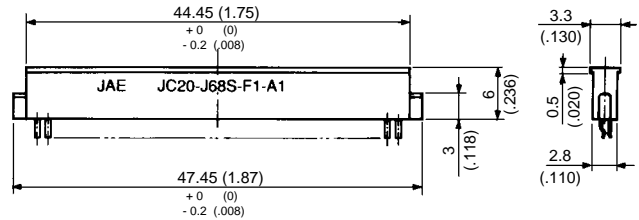
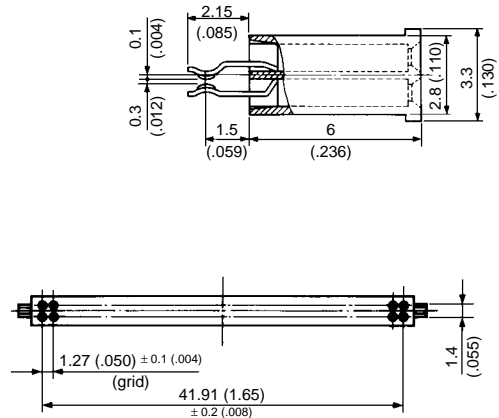
ORDERING INFORMATION



Applicable PCB

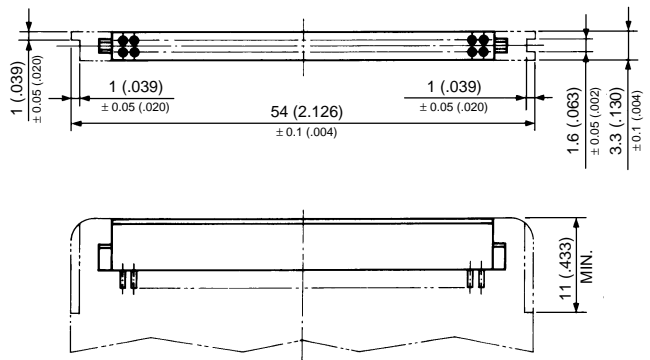
Type	Dimensions	Applicable PCB Thickness
F1		0.5 (.020)
F2		0.2 (.008)
F3		0.2 (.008)
F4		0.35 to 0.45 (.014 to .018)
F5		0.35 (.014)

JC20-J68S-F1-A1



Note 1: Please consult JAE for type F2 to F5.

Ref.: Memory Card Outline



Type	Part Number
F1	JC20-J68S-F1-A1
F2	JC20-J68S-F2-A1
F3	JC20-J68S-F3-A1
F4	JC20-J68S-F4-A1
F5	JC20-J68S-F5-A1

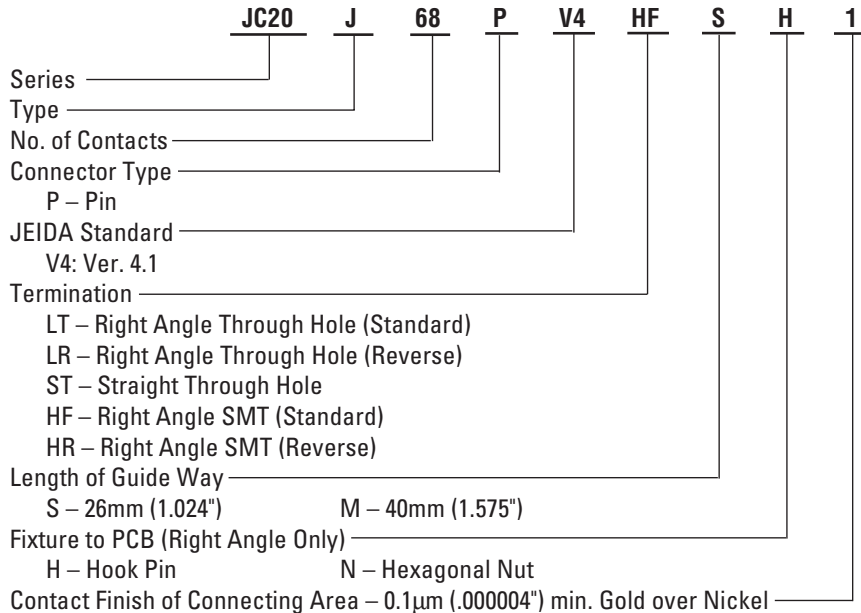
Dimensions in mm (inches).

JC20 SERIES CONNECTORS

Two-Piece Connectors for IC Memory Cards

■ JC20 SERIES J TYPE CONNECTORS • PIN CONNECTOR FOR SYSTEM SIDE

ORDERING INFORMATION



- Applicable Cards:
PCMCIA/JEIDA Standards Cards
TYPE-I 3.3mm (.130") thick
TYPE-II 5mm (.197") thick
TYPE-III 10.5mm (.413") thick (See note)
Note: A part of PCB must be notched for reverse type pin connectors. Please consult JAE for details.
- Length of pin contact connecting area
Per PCMCIA/JEIDA (Ver. 4.1) Standards
Power pin, Ground pin 5mm (.197")
CD pin 3.5mm (.138")
Other signal pin 4.25mm (.167")

PIN CONNECTOR WITH EJECT MECHANISM FOR SYSTEM SIDE

EJ Type

- Two-piece right angle SMT type.
- Option of PCB mounting type (over/under); eject button position (right/left); frame bridge position (over/under).
- Option: Nut, hold-down.

B Type

- Right angle through hole type.
- Over-the-board mounting type, right side button position.

Options

- Hook pins to fix connectors to PCB.
- Earth lugs to protect from static electricity.
- Grounding lug to touch pad which prevents surge current/voltage.

Dimensions in mm (inches).

JC20 SERIES CONNECTORS

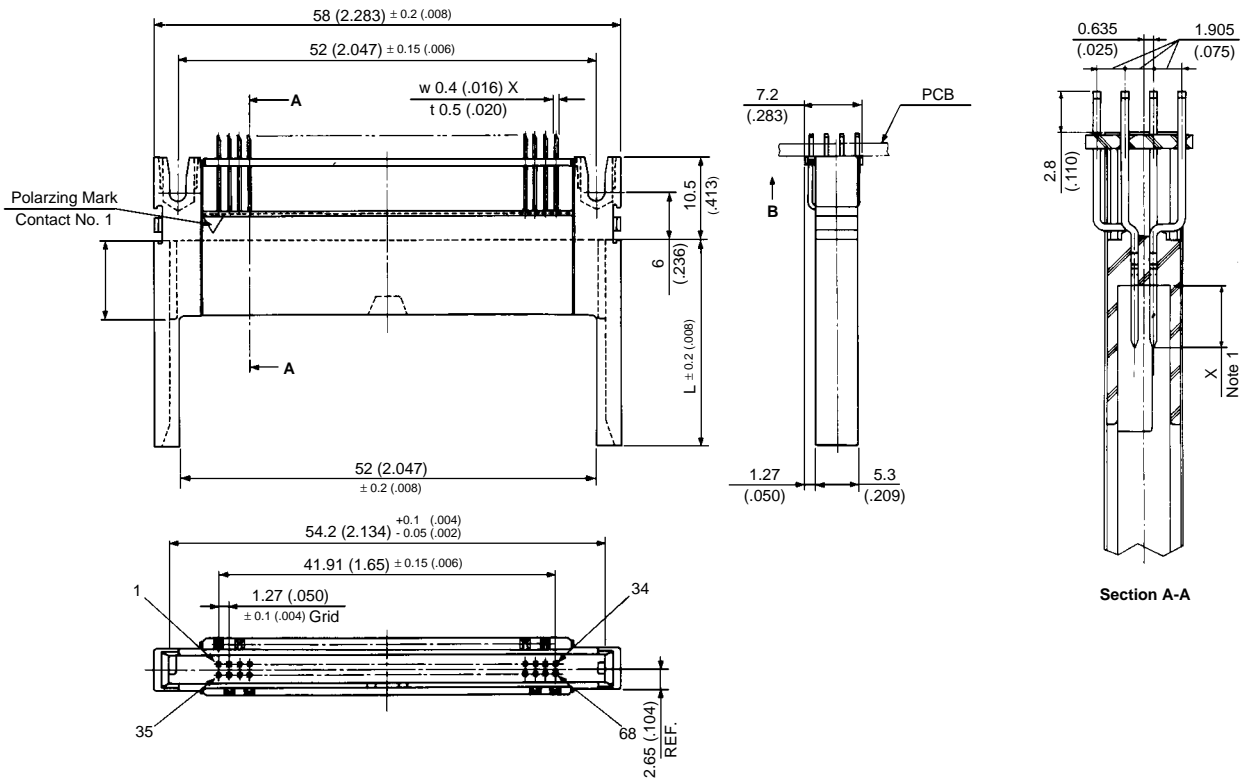
Two-Piece Connectors for IC Memory Cards

JC20 SERIES J TYPE CONNECTORS • PIN CONNECTOR FOR SYSTEM SIDE STRAIGHT THROUGH HOLE TYPE

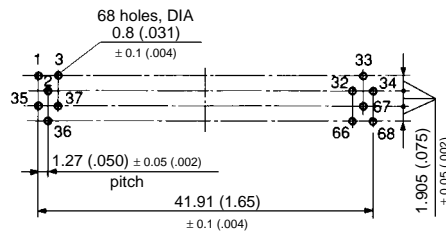
Guide Length Dimension L	Part Number
26 (1.024)	JC20-J68P-V4ST-S1
40 (1.575)	JC20-J68P-V4ST-M1

Note 1: X Dimension (Pin connecting area length)

No. 1, 17, 34, 35, 51 68 contacts	5.0 ± 0.1 (.197 ± .004)
No. 36, 67 contacts	3.5 ± 0.1 (.138 ± .004)
Other contacts	4.25 ± 0.1 (.167 ± .004)



PCB Hole Pattern (Ref.) View B
applicable PCB thickness: 1.6 (.063")



Dimensions in mm (inches).

JC20 SERIES CONNECTORS

Two-Piece Connectors for IC Memory Cards

JC20 SERIES J TYPE CONNECTORS • PIN CONNECTOR FOR SYSTEM SIDE RIGHT ANGLE THROUGH HOLE TYPE, STANDARD TYPE (OVER-THE-BOARD MOUNTING)

Guide Length Dimension L	Part Number	
	Hexagon Nut Type	Hook Pin Type
26 (1.024)	JC20-J68P-V4LT-SN1	JC20-J68P-V4LT-SH1
40 (1.575)	JC20-J68P-V4LT-MN1	JC20-J68P-V4LT-MH1

Note 1: Dimension X (Length of pin connecting area)

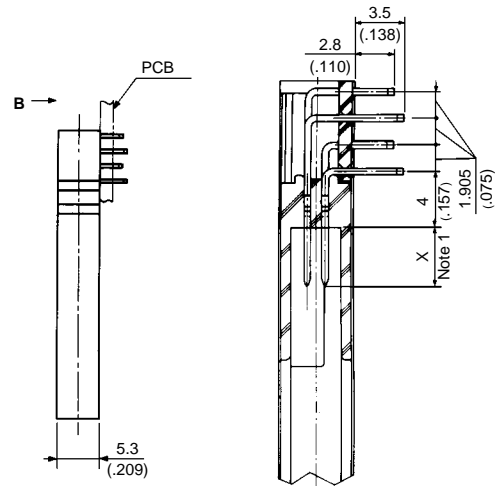
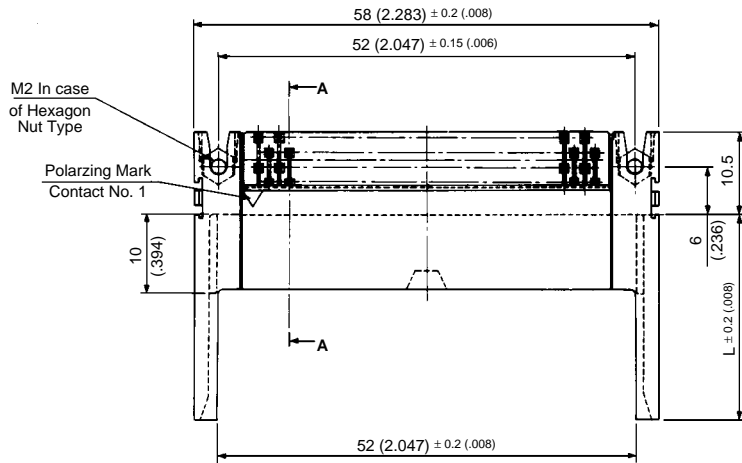
No. 1, 17, 34, 35, 51 68 contacts	5.0 ± 0.1 (.197 ± .004)
No. 36, 67 contacts	3.5 ± 0.1 (.138 ± .004)
Other contacts	4.25 ± 0.1 (.167 ± .004)



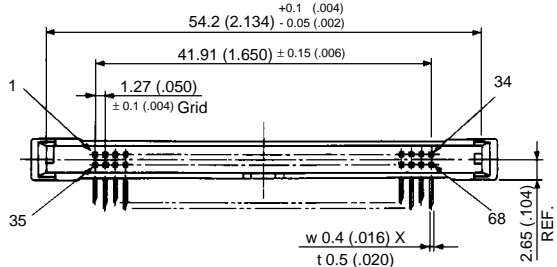
Hexagon Nut Type



Hook Pin Type



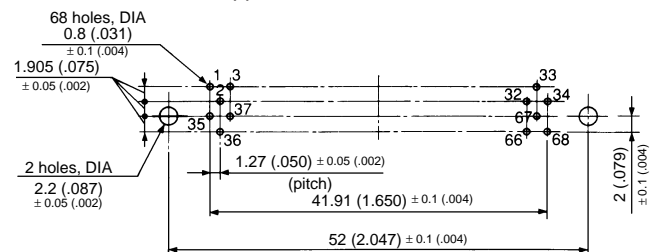
Section A-A



PCB Hole Pattern (Ref.) View B
applicable PCB thickness: 1.6 (.063")

*Note: Reverse type is also available.
Please contact JAE for details.

Guide Length Dimension L	Part Number of Reverse Type	
	Hexagon Nut Type	Hook Pin Type
26 (1.024)	JC20-J68P-V4LR-SN1	JC20-J68P-V4LR-SH1
40 (1.575)	JC20-J68P-V4LR-MN1	JC20-J68P-V4LR-MH1



Dimensions in mm (inches).



JC20 SERIES CONNECTORS

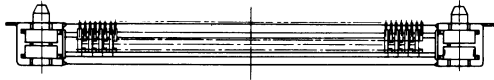
Two-Piece Connectors for IC Memory Cards

JC20 SERIES J TYPE CONNECTORS • PIN CONNECTOR FOR SYSTEM SIDE RIGHT ANGLE SURFACE MOUNT TYPE, STANDARD TYPE (OVER-THE-BOARD MOUNTING)

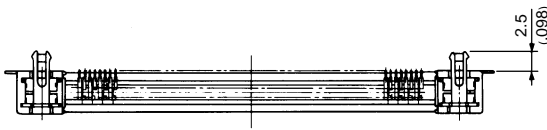
Guide Length Dimension L	Part Number	
	Hexagon Nut Type	Hook Pin Type
26 (1.024)	JC20-J68P-V4HF-SN1	JC20-J68P-V4HF-SH1
40 (1.575)	JC20-J68P-V4HF-MN1	JC20-J68P-V4HF-MH1

Note 1: Dimension X (Length of pin connecting area)

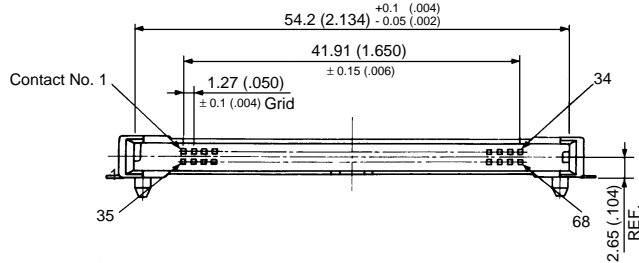
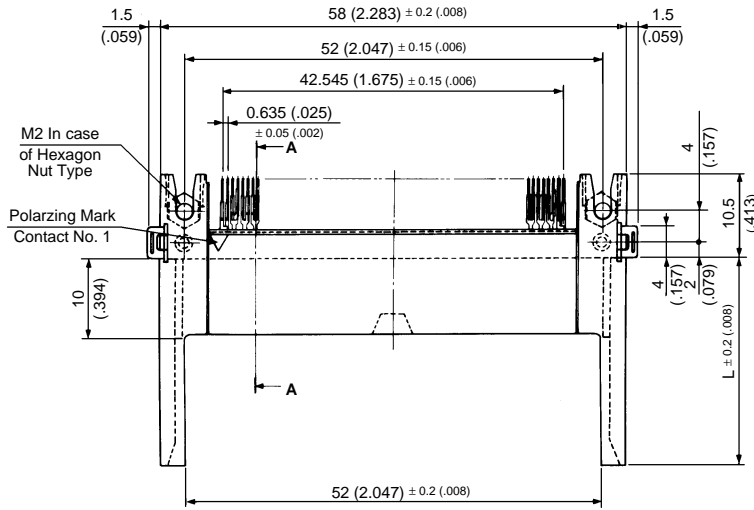
No. 1, 17, 34, 35, 51 68 contacts	5.0 ± 0.1 (.197 \pm .004)
No. 36, 67 contacts	3.5 ± 0.1 (.138 \pm .004)
Other contacts	4.25 ± 0.1 (.167 \pm .004)



Hexagon Nut Type

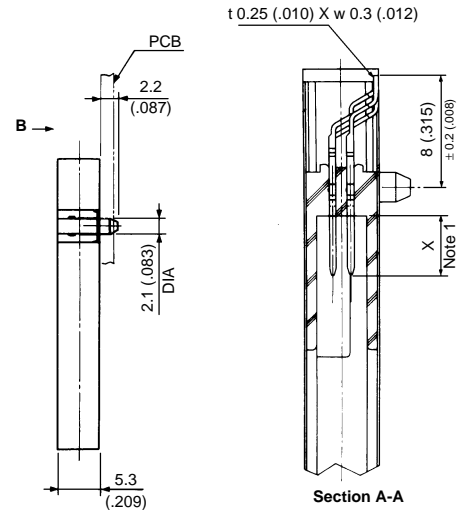


Hook Pin Type

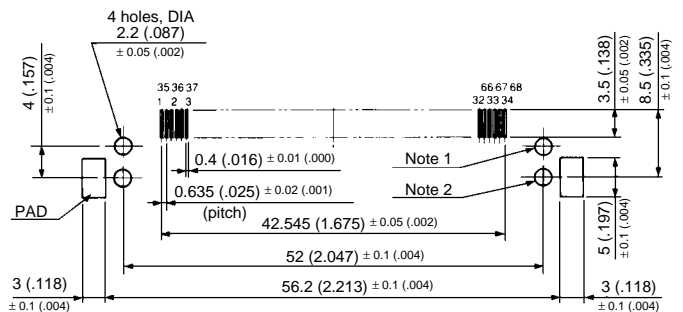


Note: Reverse type is also available.
Please contact JAE for details.

Guide Length Dimension L	Part Number of Reverse Type	
	Hexagon Nut Type	Hook Pin Type
26 (1.024)	JC20-J68P-V4HR-SN1	JC20-J68P-V4HR-SH1
40 (1.575)	JC20-J68P-V4HR-MN1	JC20-J68P-V4HR-MH1



PCB Hole Pattern (Ref.) View B
applicable PCB thickness: 1.6 (.063")



Note 1: Hole for hook pin or screw
Note 2: Hole for boss

Dimensions in mm (inches).