

NEW



High efficiency, high reliability power connector

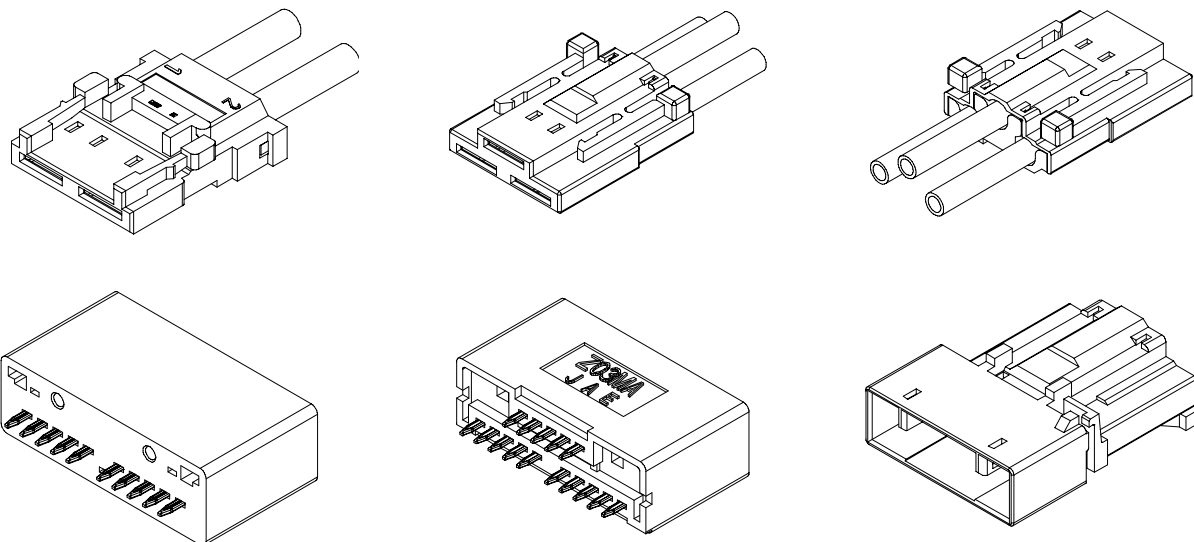
CONNECTOR

PW01 Series

MB-0046-5

October 2006

RoHS Compliant



<<Overview>>

This product is a high-reliability connector for power units designed for transmission devices, switcher, and other electrical devices. It occupies a small volume thanks to the use of planar contacts. Two-contact and three-contact connectors are available.

Features

- Pin connector (pin header) is press fit type (finish diameter: 0.82 to 0.98 dia.), and the mounting pitch is 2.54mm. For three contact connector, a wire relay connector is available.
- Mold latch ensures complete mating and unmating.
- Highly conductive copper alloy is used for contacts, and individual two-point contact system and gold plating ensure high contact reliability. (CA725 is used for press fit contacts.)
- Applicable cables are one JIS-C-3316 5.5mm² (equivalent to AWG 10) or two JIS-C-3316 2.0mm² (equivalent to AWG 14) crimp. For relay pin contacts, AWG 12 to 16 are applicable.
- Secondary hook mechanism to secure cable.

General specifications

- No. of contacts: 2 or 3 pos.
- Contact resistance: 20m ohm max. (Initial)
- Withstand voltage: 1000Vr.m.s
(for 1 minute)
- Operating temperature: -10 to +65 Deg.C
- Rated current: 15A
- Insulation resistance: 1 x 10⁵ M ohm min.
- Mating force: 222.5N max.
- Retention force: 44.1N min.

Applicable board specifications

- Thickness of board: 2.4t min.
- Board material: Glass-filled epoxy
- Suitable through-hole: 0.82 to 0.98 dia.
Finish diameter: (Target 0.87 to 0.94 dia.)
- Through-hole plating: Copper
- Through-hole plating thickness: 40±20μm

Materials/ Finishes

Pin

Components	Materials/Finishes
Insulator	66 nylon (UL94V-0)
Contact	Press fit pin contact CA725(Au plating over Ni)
	Crimp contact High conductive copper alloy (Au plating over Ni)

Socket

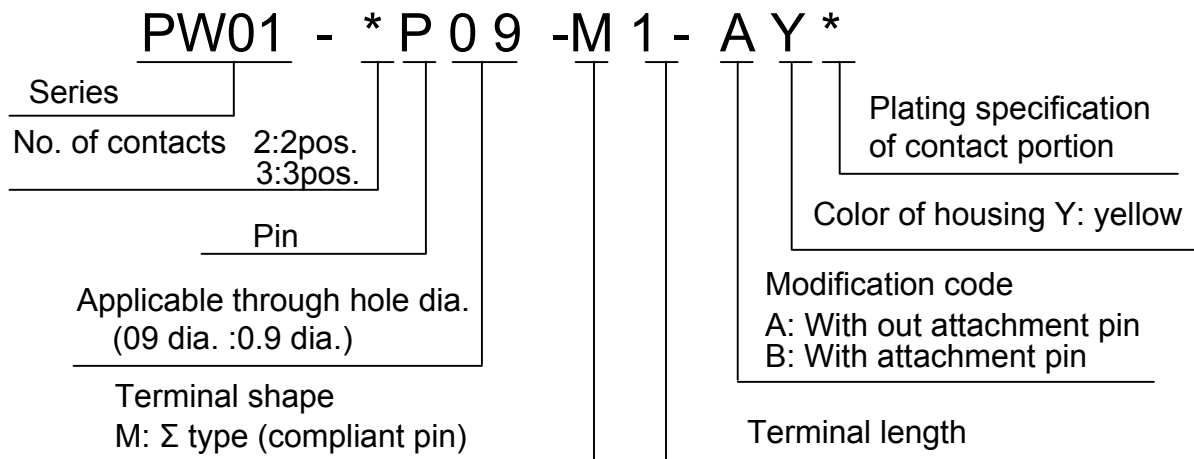
Components	Materials/Finishes
Insulator	66 nylon (UL94V-0)
Crimp contact	High conductive copper alloy (Au plating over Ni)

Contact plating finish code

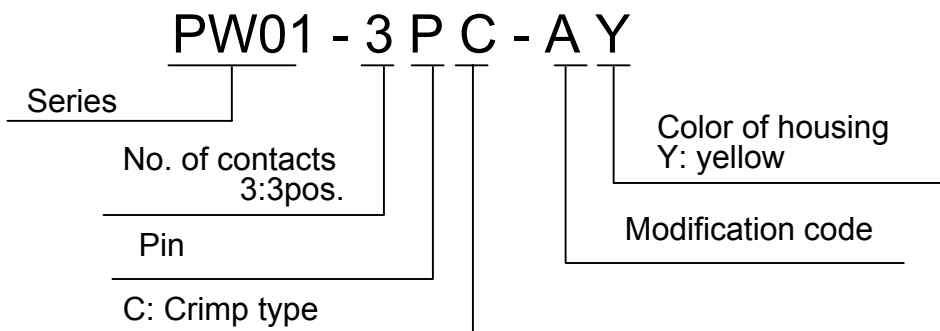
Code	Contact portion	Crimp portion	Terminal portion (compliant)
1	0.1 um min. Au over Ni	Sn plating over Ni	Au Flash
2	0.3 um min. Au over Ni		
3	0.76 um min. Au over Ni		

Ordering Information

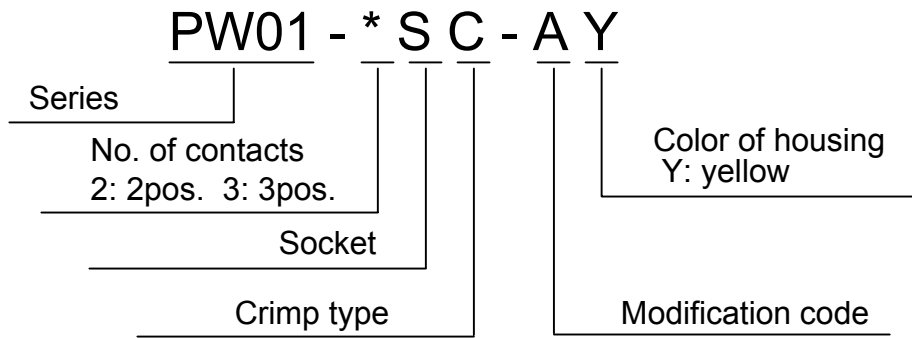
Pin (Board mounting type)



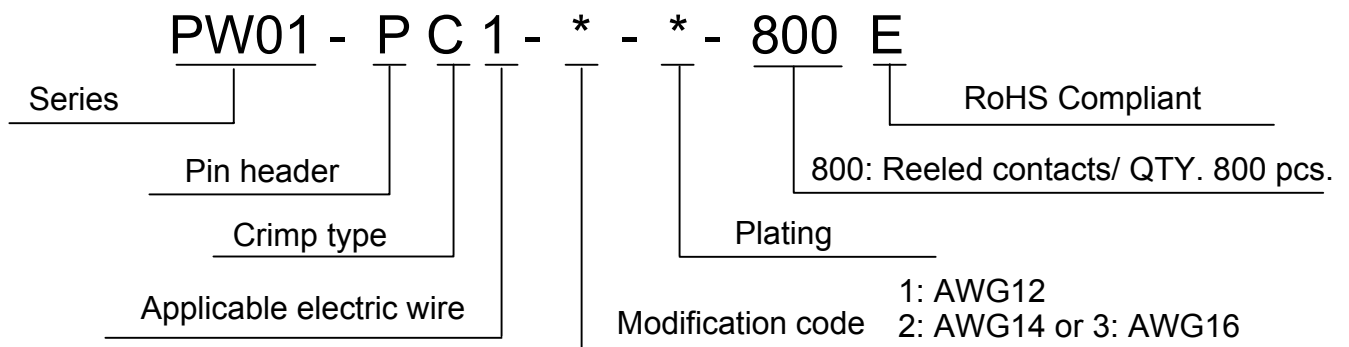
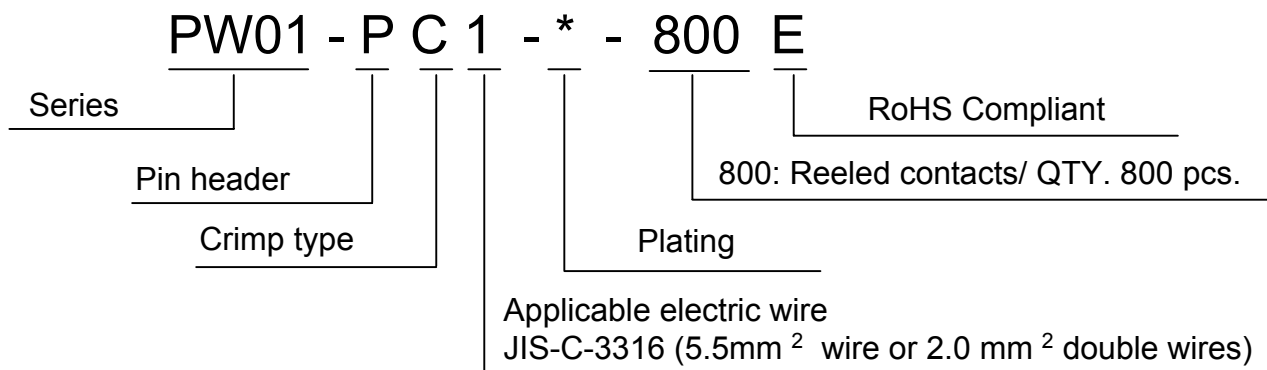
Pin (Electric cable relay type)



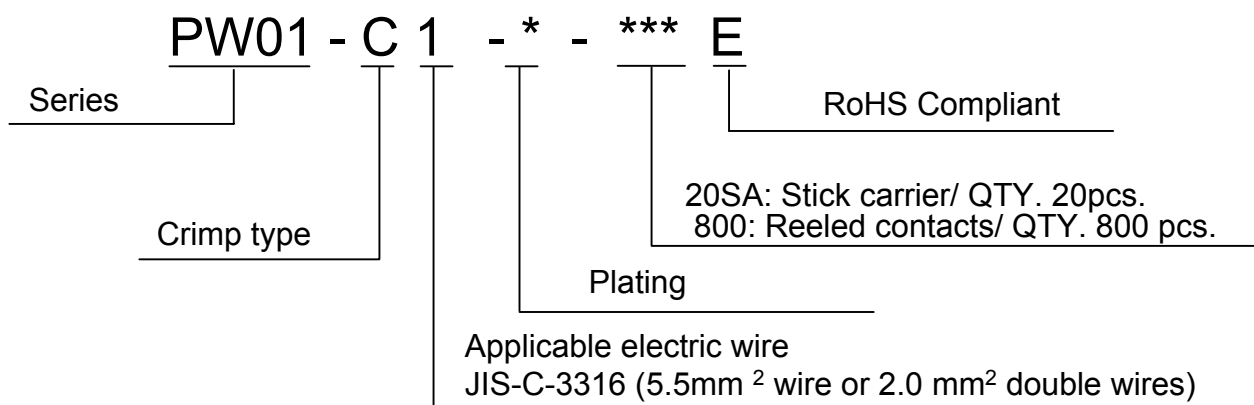
Socket (Crimp type)



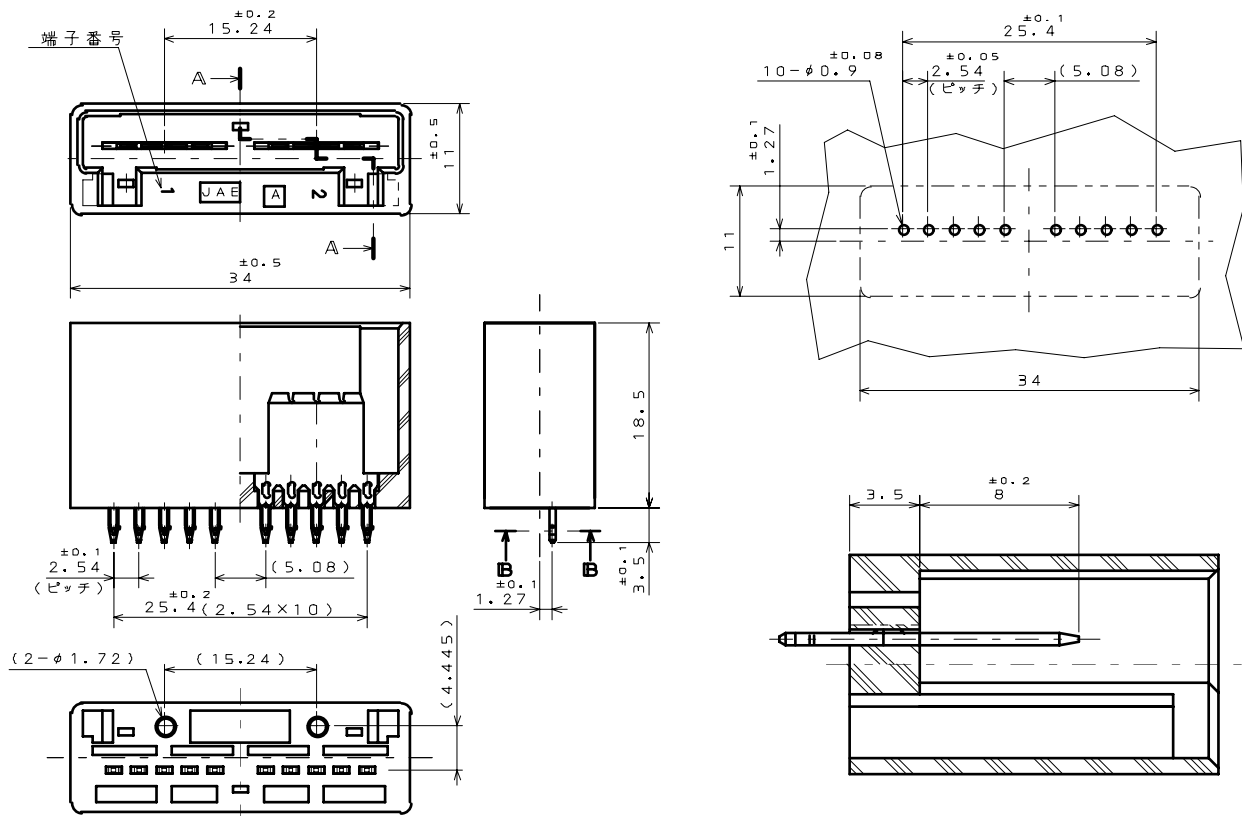
Pin contact (Crimp type)



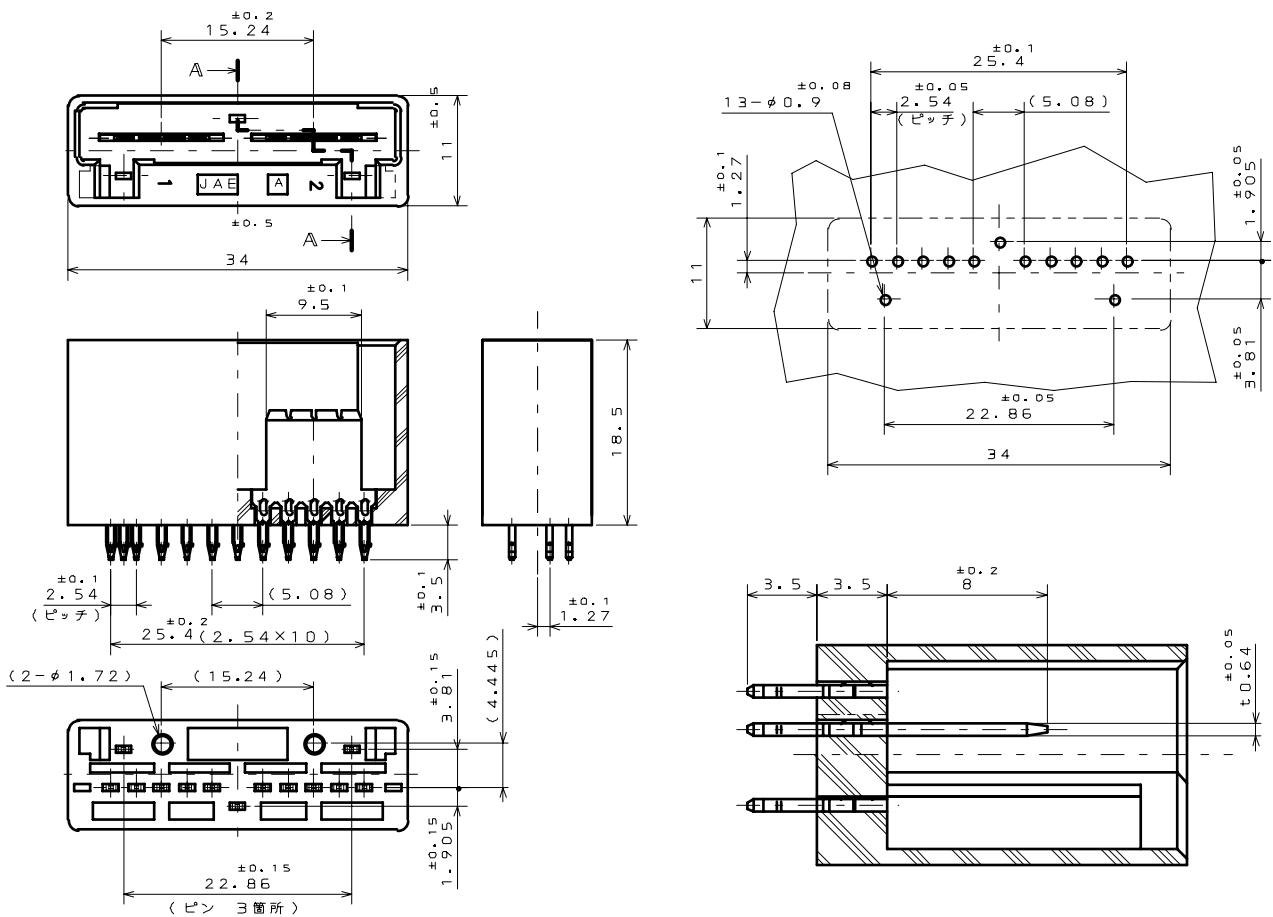
Socket contact (Crimp type)



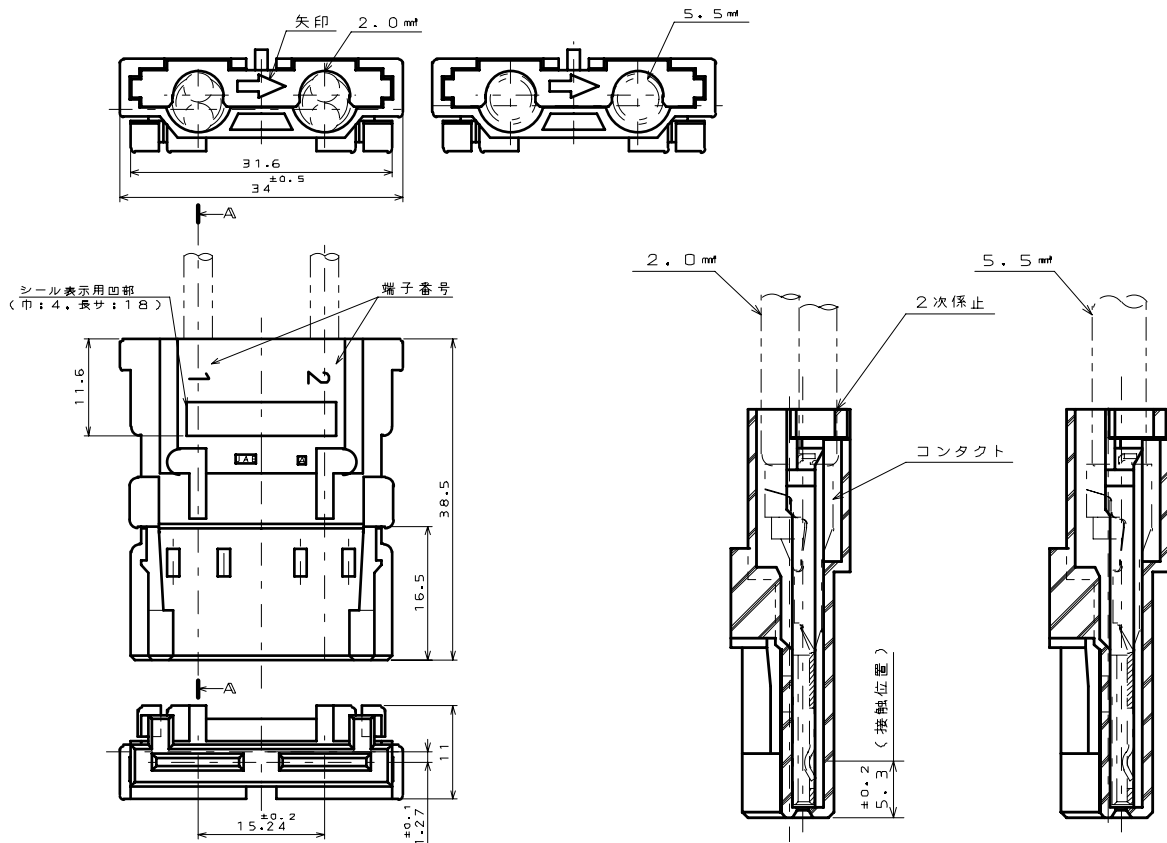
PW01-2P09-M1-A** (2pos. Press fit pin connector)



PW01-2P09-M1-B** (2pos. Press fit pin connector with attachment pin)

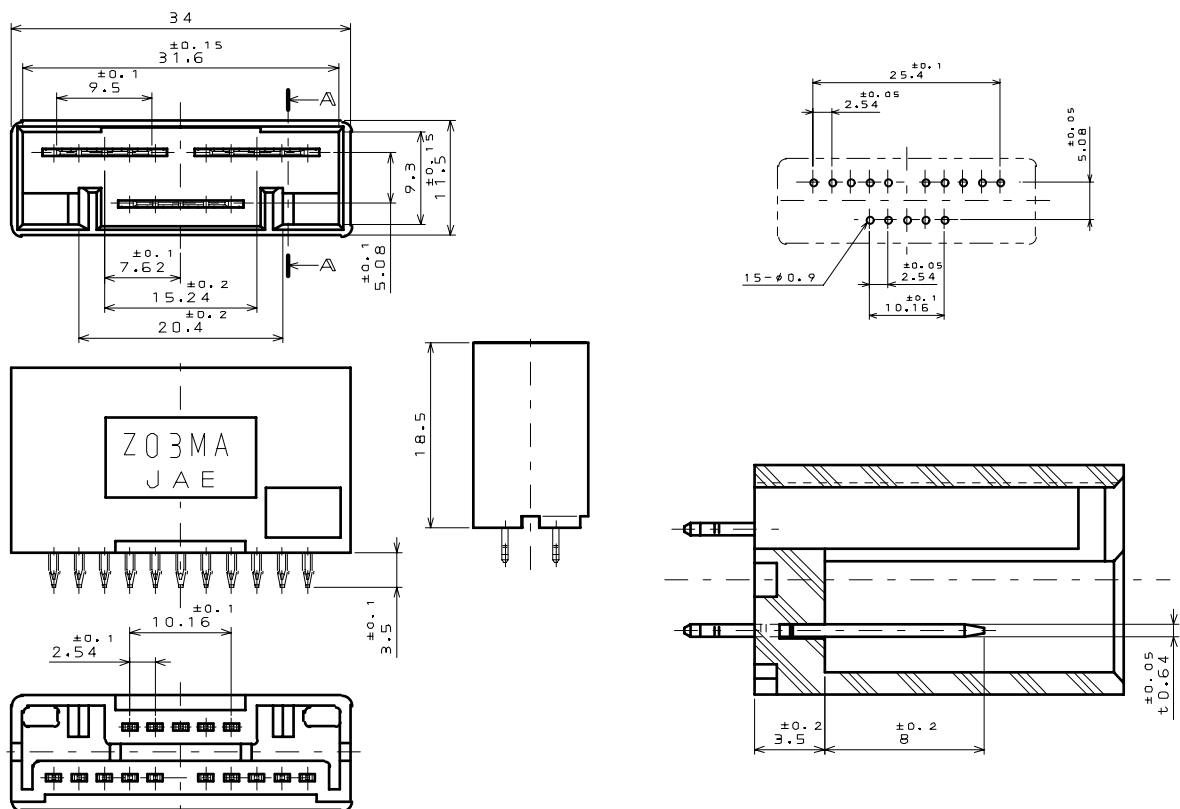


PW01-2SC-A* Insulator (2pos. Socket connector for power)

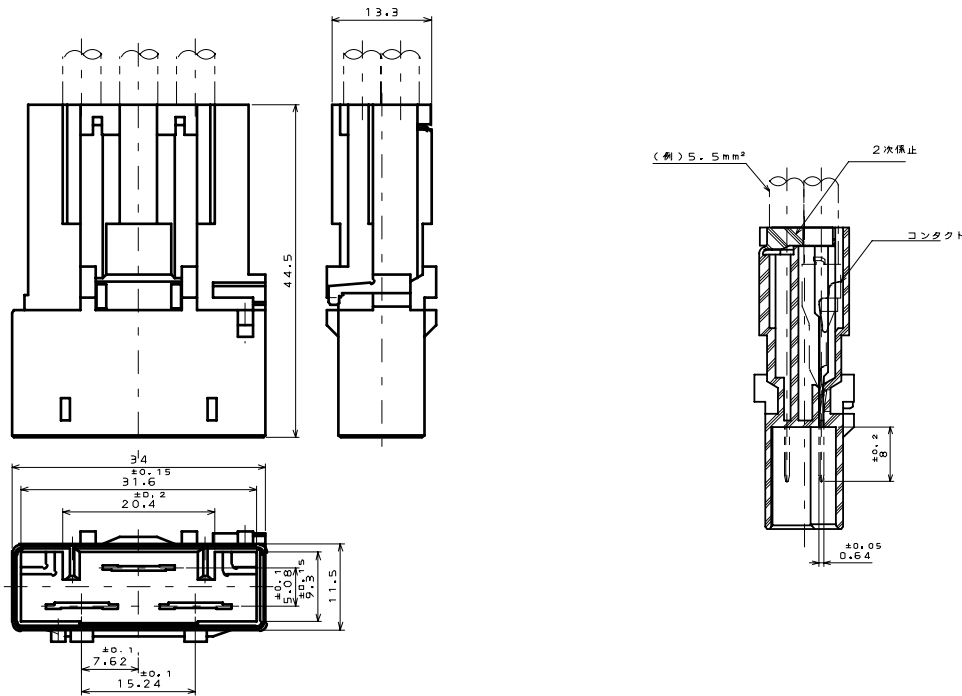


(*) ---We also provide cable harness products just tailored to your specification

PW01-3P09-M1-A* (3pos. Press fit pin connector)

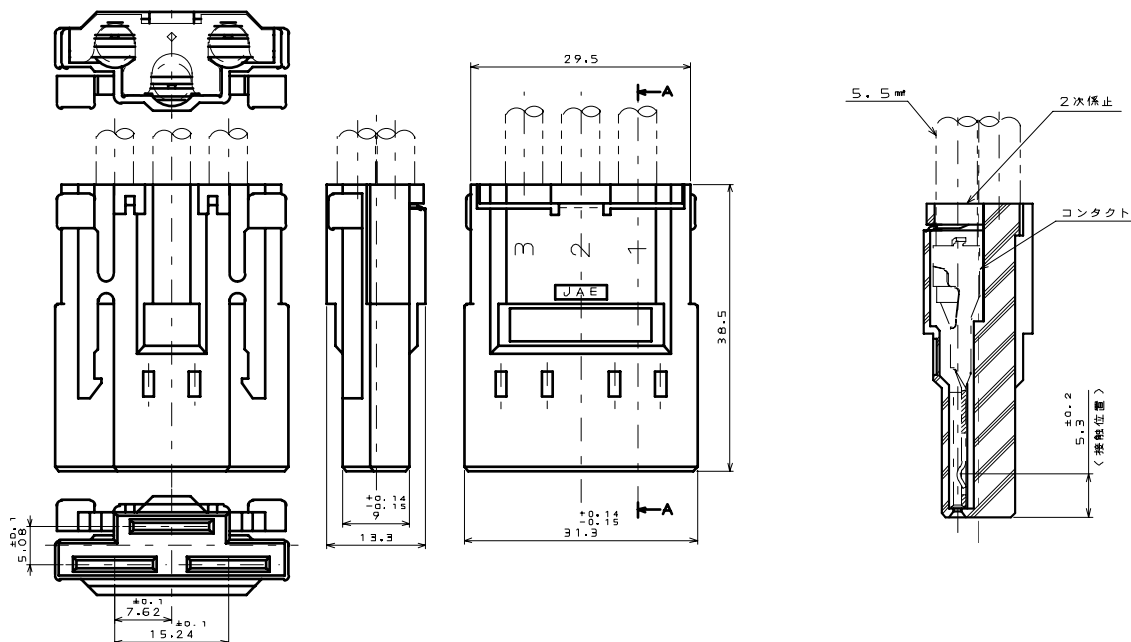


PW01-3PC-A* Insulator (3pos. Connector for electric wire relay)



(*) ---We also provide cable harness products just tailored to your specification

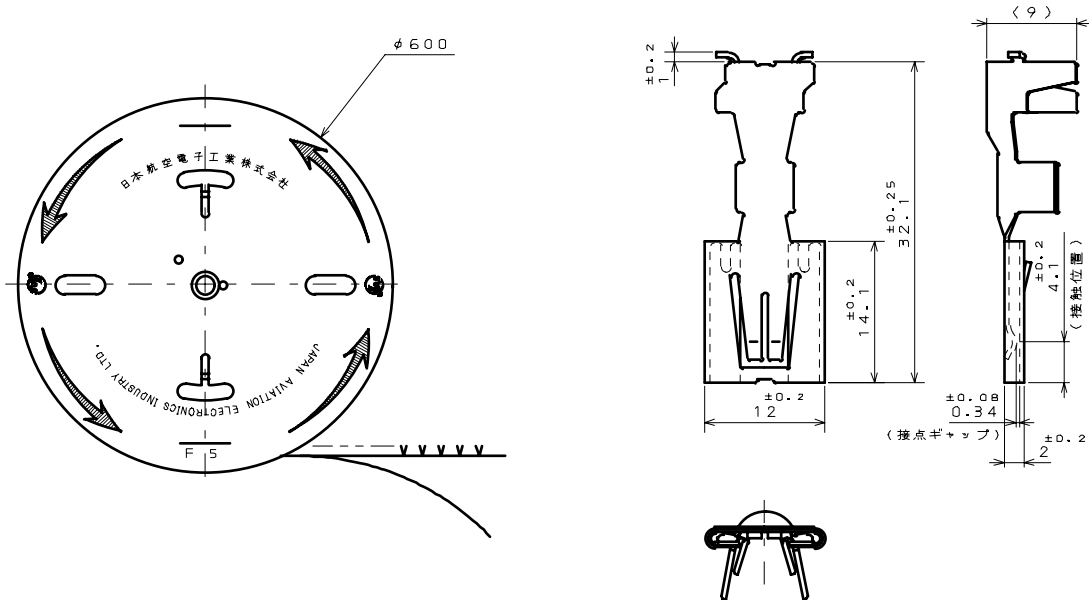
PW01-3SC-A* Insulator (3pos. Socket connector for electric wire)



(*) ---We also provide cable harness products just tailored to your specification

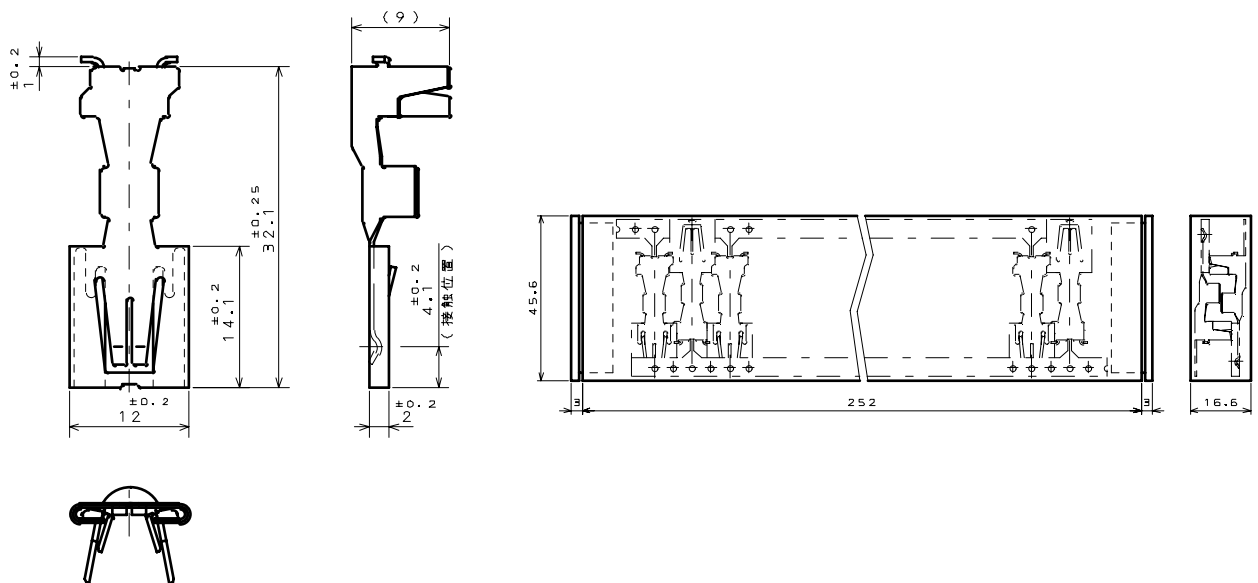
PW01-C1-*-800E Magazine assembly (Socket contact)

Applicable electric wire: JIS-C-3316 (5.5mm² wire or 2.0mm² double wires)



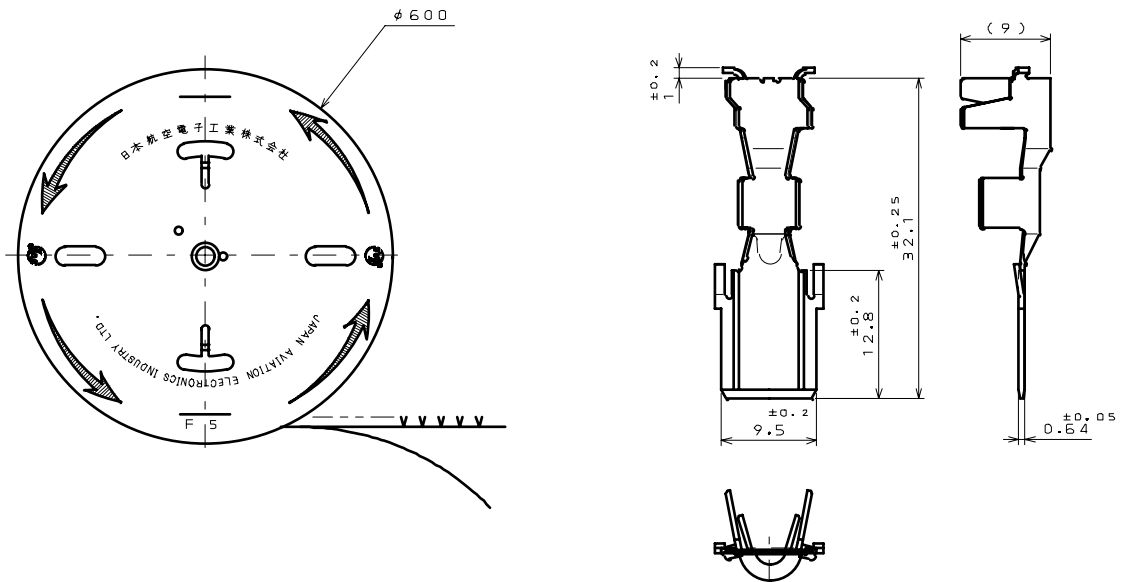
PW01-C1-*-20SAE Stick carrier product (Socket contact)

Applicable electric wire: JIS-C-3316 (5.5mm² wire or 2.0mm² double wires)



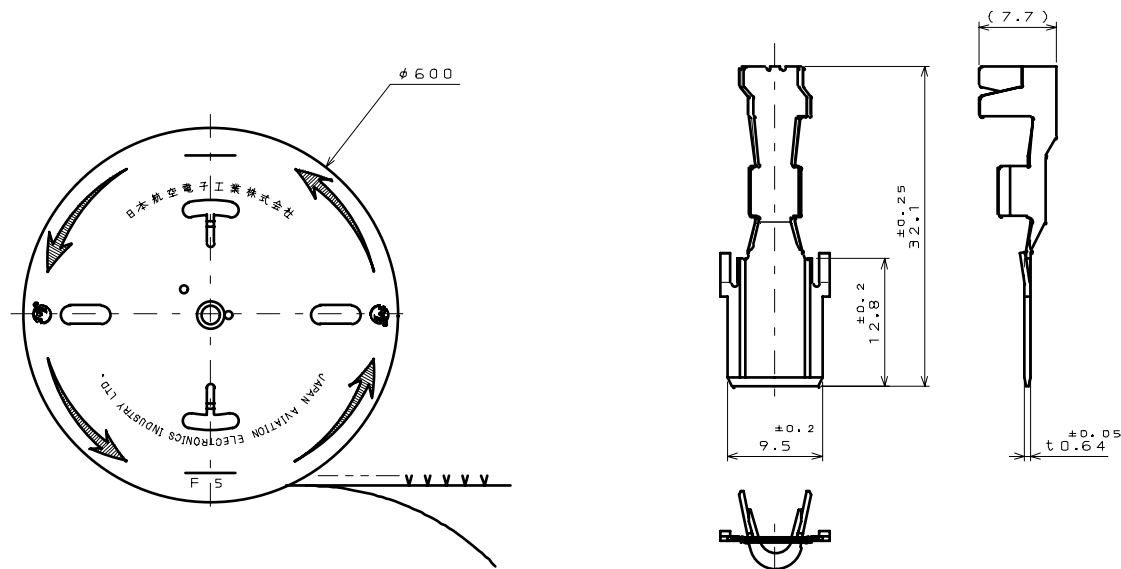
PW01-PC1-* -800E Magazine assembly (Pin contact)

Applicable electric wire: JIS-C-3316 (5.5mm² wire or 2.0mm² double wires)



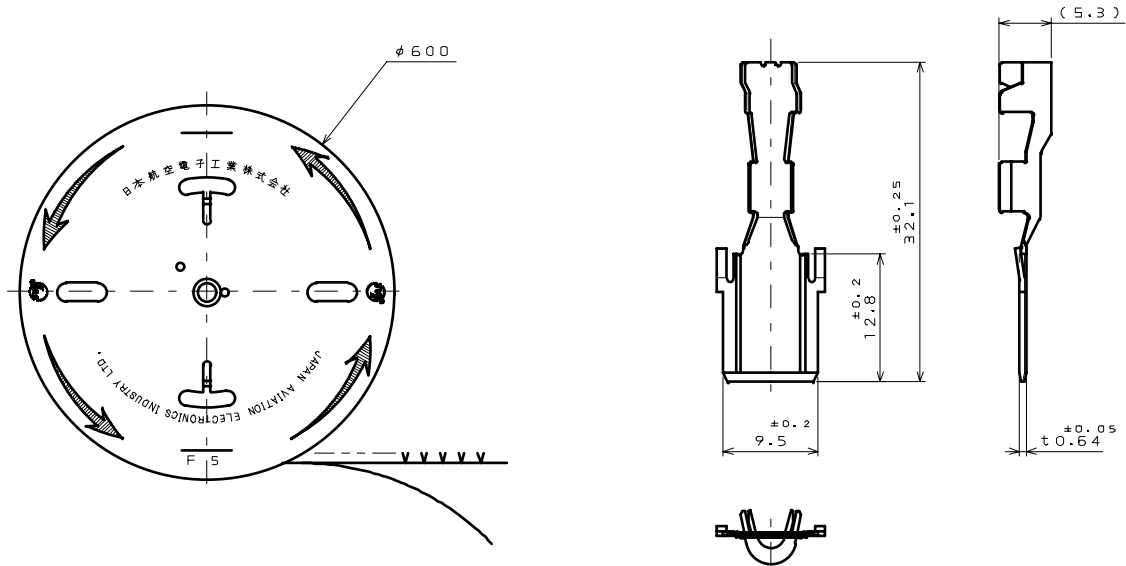
PW01-PC1-1-* -800E Magazine assembly (Pin contact)

(Applicable electric wire: AWG12 x 1 cable)



PW01-PC1-2-*-800E Magazine assembly (Pin contact)

(Applicable electric wire: AWG14 or AWG16)



Japan Aviation Electronics Industry, Limited

Product Marketing Division

Aobadai Building, 3-1-19, Aobadai, Meguro-ku, Tokyo 153-8539

Phone: +81-3-3780-2787 FAX: +81-3-3780-2946

Notice: Products shown in this leaflet are made for the applications listed below. However, if the above-mentioned products are to be used in aerospace devices, marine cable-connection devices, atomic power control systems, medical equipment for life-support systems, or any other specific application requiring extremely high reliability, please contact JAE for further information.

Recommended applications: Computers, Office machines, Measuring devices, Telecommunication devices (Terminals, Mobile devices), AV devices, Household applications, FA devices, etc.