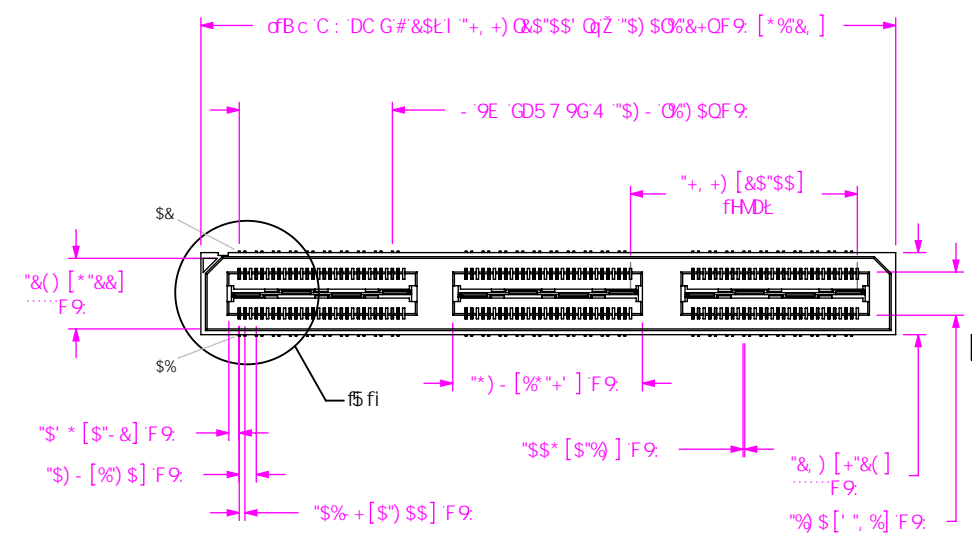


8C B'CH
G7 5@: FCA
H-GDF-BH



Bc C: DC GHCBG
I\$&\$21S(\$21\$* \$Z
I!1S, \$211!%\$S
fD9F FCK E

C DHC B
I5, 5@: BA 9BHD BG
...fl G9 E G<!' \$!\$!8!LL152
...G99: = '&L
! D: ! -B9 DC GHG
...fl G9 E G<!' \$!\$!8!LL1; Dz
...G99: = "(L
!@: .@ 7?B: 7 @DG
...fl G9 @!\$, IHA !\$%Z G99: = "%Z
! ? DC @MA -B9: @A D58
...fl G9 ?!8C H" &!") (\$!\$) ZG99: = "' L
!H, !5 D9/ F99@f! \$ DC GA 5L L
!HM !F5 MD5 7 ?5: -B:
...fBC H5 J 5 @5 6@K H: !H L
!@: F 7 HC B @ 7 ? G
!fG99: = ") ZG< 99H' L
...fBC H5 J 5 @5 6@K H: !: D L
!F!% F9HB HC B' !A ! GHI G915 C DHC B L
...fl G9 E G<!' \$!\$!8!LL151F!%
.../ Q 6!G7 ! \$) ! \$!%L: L fG99: = "' ZG< 99H' L
...fBC H5 J 5 @5 6@K H: !@ Z!; DZCF !: @
...fBC H5 J 5 @5 6@K H: ! \$, ! % \$ DC G L

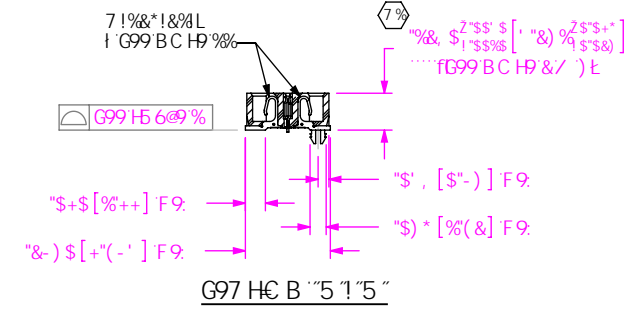
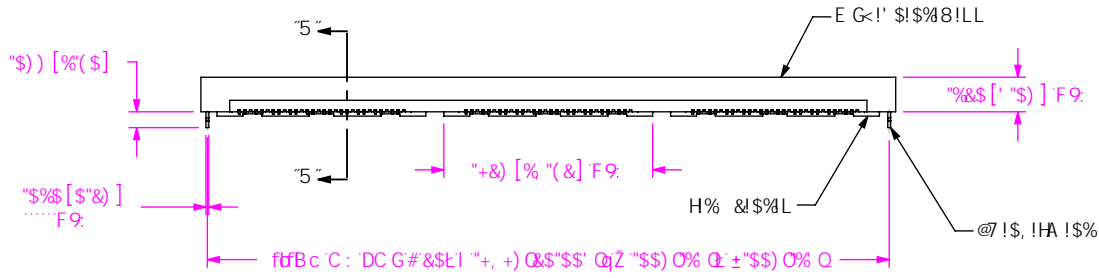
@5 8 GMD9
I\$% "%&, \$ O' &) %Q

D@5 HB: 'GD97 = 7 5 HC B
! : @5 G< G9@97 HJ 9: C @ K H: A 5H@ HB H5 @G
...fl G9 7 !%&*!&@: #H% & \$!%: L fG99 BC H9 - L
...! G99 BC H9 %%
!@ @: <HG9@97 HJ 9: C @ K H: A 5H@ HB H5 @G
...fl G9 7 !%&*!&@/#H% & \$!% @ fD99 BC H9 - L
...! G99 BC H9 %%
!< < 95 J M: C @ fl G9 7 !%&*!&@ < #H% & \$!%: L
...! G99 BC H9 %%
!7, 9@97 HFC DC @< C G9@97 HJ 9
...fl G9 7 !%&*!&@7 #H% & \$!%: L fG99 BC H9 - L
...! G99 BC H9 %%

7!%&*! \$%L 7 5B '69G 6698
: CF 7!%&*!&@L

I '1 BCFH9@5 G98: CF DFC 8! 7 HC B
H '1 G99 BC H9 %%

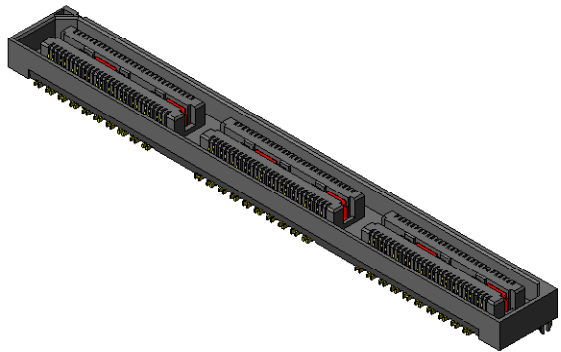
B @: 9F9B H5 @D5 F G
FCK GD97 = 7 5 HC B
!8: 8C! 6@9 fl G9 E G<!' \$!\$!8!LL1
Bc C: '65B?G



: = "%%
!@: .@ 7?B: 7 @D C DHC B' G<C K B

TABLE 1

| No Of POS | COPLANARITY (INCLUDES GROUND PLANE) |
|----------------|-------------------------------------|
| -020 THRU -060 | .0040[. 102] |
| -080 THRU -100 | .0060[. 152] |



G97 HC B "5 '1 5"

BC H9G
% (7) f9DF9G9BHG5 7 F#7 5@8A 9BGC B"
&'A 5L J 5 F 9B 7 9 HC '69 "\$&(\$)' O
" "6! FF 5 @C K 5 B 7 9: "\$%Q OS", OA 5L"
("A -B-A I A 'D I G<C I H: C F 7 9: 'C N'
) "8 A '5DD@9GH: ; FC I B 8 D@5 B 9 5 B 8 '7 C B H 5 7 H
*"A -B-A I A ; FC I B 8 D@5 B 9 F 9 HB HC B: ", 'C N'
+ "I @D@5 HB: 7 5 B '69 G! 6 G H H 8 : C F !: D@5 HB: "
; "G! 6!G7 ! \$) ! \$!%L F9HB HC B HC '69 '\$ @: -B '6C 8 M
- "A 5 MG 6 7 !%&*! \$%L zc f 7 !%&*!&@L"
%\$": C F 'B 9K '5DD@7 5 HC B G F 9 E I F -B: ; H: 9G9 DC GHG B G D @95 G9
...7 C B H 5 7 HG5 A H97 -B H9 F 7 C B B 97 HD F C 7 9 GB-; ; FC I D"
%&: C F !, \$Z!%\$ \$ DC GHG B G I G9 7 !&*! \$%L "8 C 'B C H G! 6 7 !%&*"

I B @9G C H: 9FK @9 GD97 = 982
8-A 9BGC BG5F9-B 'B7 <9G"
HC @9F 5B7 9G 5F9
897 A 5@5: @5B: @G
"LL: ± '\$%O' O&
"LLL: ± '\$S) O % Q
"LLLL: ± '\$S&S OS) %Q

DFC DF 9H5 FMBC H9
H: 6BC 71 A 9B7 C B H 5 B G: CFA 5HC B
7 C B: @9B H5 @5 B 8 D F C D F @5 F M C
G A H 7 2 B 7 '5 B 8 G: 5 @B C H 6 9 F 9 D F C B I 7 9 B
C F H 5 B G 9 F 9 8 H C H: 9 C B C 71 A 9 B H C F
8 5 7 @ 5 8 H C H: 9 G G F I 9 8: C F 5 B M
D I F D C 9 C H: 9 F H 5 B H 5 H K < -7 < H K 5 G
C 6 5 B 9 8 K H C I H H: 9 9 L D F 9 0 9 8 K F H 8 B
7 C B G 9 8 H C: G A H 7 2 B 7 "

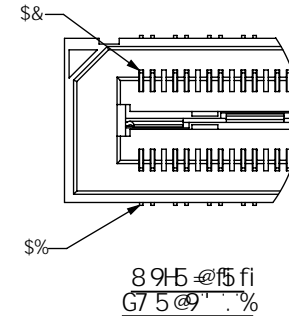
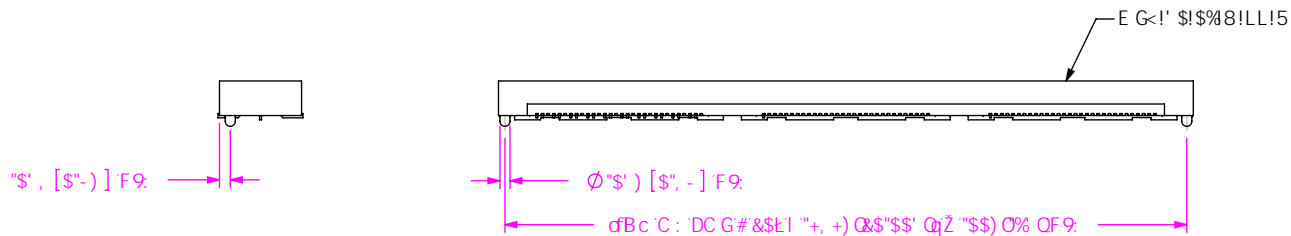
)&\$ D5F? 95GH6@ 8ZB9K 5@5B M B (+) \$
D<C B9; %L - ((! * + SL; %L - (,) \$ (+
YIA UJ: b z 4 G5 A H7 'Wc a W X Y.)' &&

A 5HF@5@ B C 'BCHG7 5@9 8F5K B: G 99HG7 5@9 %S*** 89G7 F@HC B.
B G @5HC F. 6@5 7 ?Z@ D
HFA -B5@ D<C G 6FC BN9
; FC I B 8 D@5 B 9. D<C G 6FC BN9

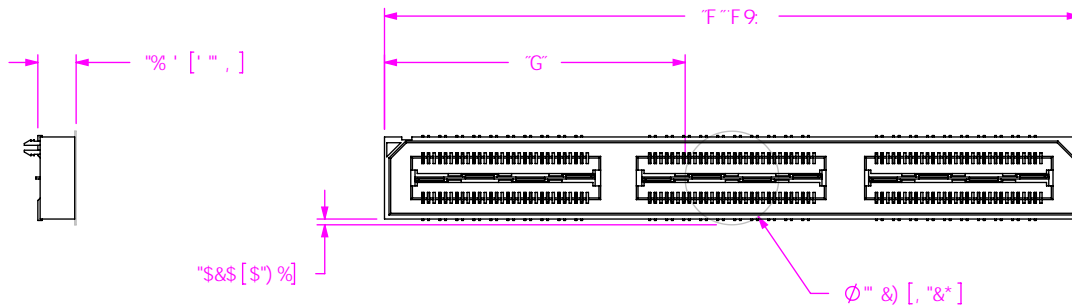
") a a '8 @: 9F9B H5 @D5 F G < G G C 7 ? 9H5 G9A 6@M
8K: "BC"
E G<!!!!!!L!8!8D!LLL
6M ?9J -B 6 \$* #% \$ \$ G< 99H % C: '

: : P8K: PA @7 PA 7H PE G<!!!!!!L!8!8D!LLL! 7HG@8FK

: ≡ "&
!5. 5@ BA 9BHD B 'C DHC B 'G<C K B



: ≡ "'
!?: 'DC @VA 89: @A 'D58



B C H9. "F" "1 'ffB c 'C: 'DC GHC B G#&\$&L1 "'+, +) Q&\$"\$'\$' QjZ "'(\$\$) O%&+O
..... "G" "1 'ffB "'!'" &) O " &* Q #&L ± "\$&\$O) %Q

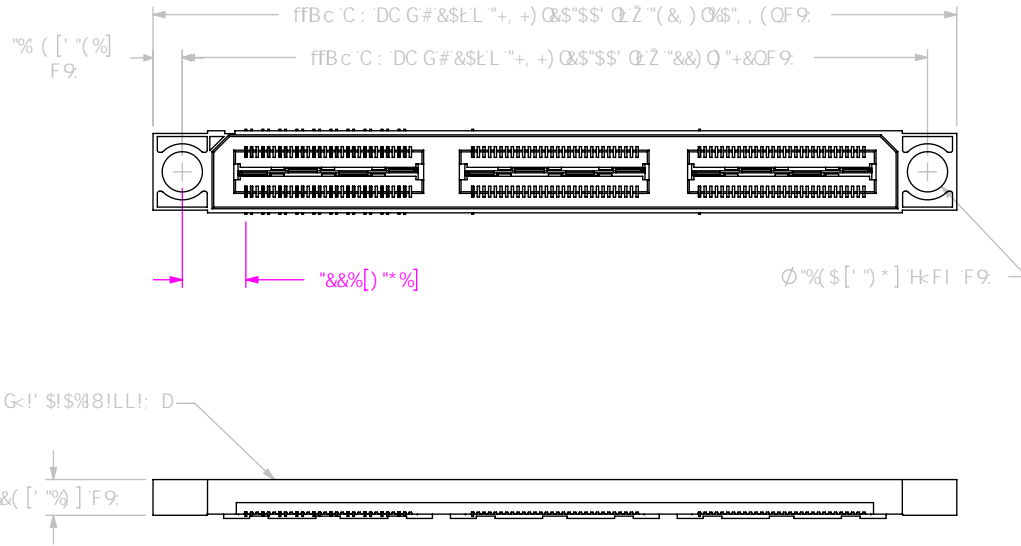
| |
|--|
| <p>DFC DF 915 FMBC H9 H: 6BC 71A 98H7 C B16 BG B: C FA 5HC B 7 C B: 898 H5 95B8 DFC DF 945 F MHC GSA H97 2 87 "5B8 G-5 98BC H69 F90FC 81 7 98 CF HF5BG 9F98 HC C H: 9F 8C 71A 98HC F 8 47 @ 98 HC C H: 9FGC F1 98: C F 5BM DI FDC 09 C H: 9F H: 5B H: 5HK < 7 < #HK 5G C 616 B 98 K #k C1 H H: 9 9L DF 9098 K F #H8 7 C B 98HC: GSA H97 2 87 "</p> <p>8C 'BCH G7 5 @9 8F5K B:</p> <p>G: 99HG7 5 @9 %). %</p> |
|--|

| |
|--|
| <p>samtec</p> <p>)&\$ D5F? 95GH6@ 8ZB9K 5 @5BMZ-B '(+) \$ D<C B 9; %&L - ((1*+' SL; %&L - (,) \$ (+ YIA UJ;)b zc 4 GSA H97 "Wc a WcXY..)' &&</p> <p>89G7 F 0HC B:)" a a '8 ±: 9F9B H5 @D5 F G<G C 7 ?9H5 GG9A 6 @M 8K: "'BC" E G<! LLL! LLL! L! 8! 8D! LLL 6M ?9J B 6 \$* # % # \$ \$ G<99H & C: ')</p> |
|--|

F9J €€ B 'M

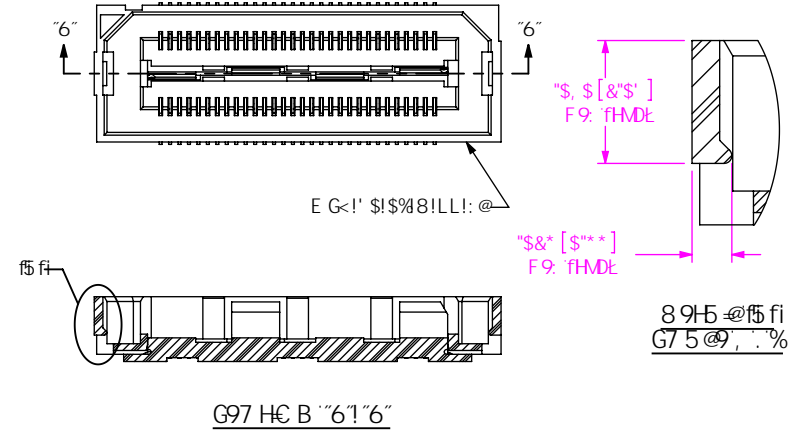
: ≐ " (

!; D; | 89DC GHC DHC B'G<C K B



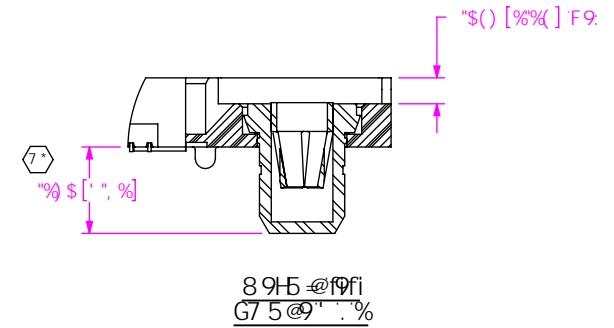
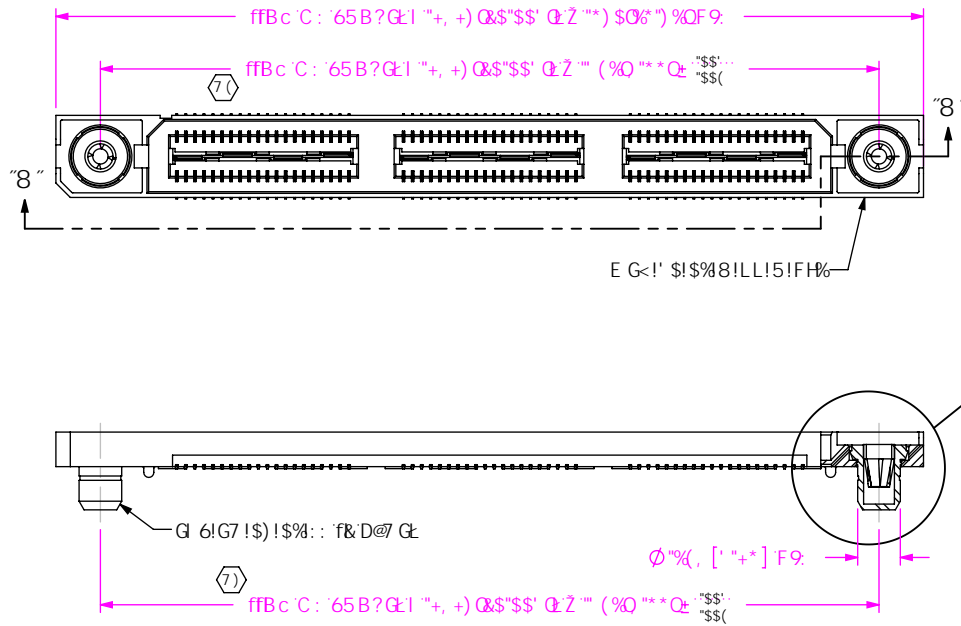
: ≐ ")

!; @: F 7 HC B '€ 7 ? G
 fBC H5J 5 €5 6@K €K !; D' C DHC B€
 fG5A 9'5G: ≐ "%Z! B@GGC H€ 9FK €9 G€ H98€



: ≐ " *

!FH% F9H9B HC B' C DHC B
 fA I GHI G9'15' C DHC B€
 fBC H5J 5 €5 6@K €K !@Z!; D'z C F I: @C DHC B€
 fBC H5J 5 €5 6@K €K !\$, \$/ 1%\$\$ DC G€
 fG5A 9'5G: ≐ "%Z! B@GGC H€ 9FK €9 G€ H98€



G97 HC B '8'1"8"
 G7 5 @' %) . %

DFC DF 9H5 FMBC H9
 H: €8C 71A 98H7 C B1€ B G € C FA 5HC B
 7 C B: €98H€ 95B8 DFC DF 9H5 FMBC
 GSA H97 2 87 *5B8 G-5@B€ H69 F90C 81 7 98
 C F H€5B G 9F 98 HC C H: 9€ 8C 71A 98H€ C F
 8 47 @€ 98 HC C H: 9€ G C F I 98: C F 5B M
 DI FDC 99 C H: 9€ H: 5B H: 5HK <7 < € H€ 5G
 C 6H€ B 98 K € C I H: 9€ 9L DF 9098 K F H98
 7 C B 98 HC: GSA H97 2 87 *

8C 'BCH G7 5 @9 8F5K B:

G: 99H G7 5 @9 %8) . %

samtec

)&\$ D5F? 95GH6@ 8ZB9K 5@5BMZB (+) \$
 D<C B9; %&L - ((1* + SL; %&L - (,) \$ (+
 YIA UJ; j€z 4 G5A H97 W€a W€XY.)' &&

89G7 F DHC B.
 ") a a '8€: 9F 9B H5 @D5 F G < GGC 7 ? 9H5 G9A 6 @V
 8K: "BC"
 E G<'!LL!LL!LL!8!8D!LL!LL
 6M ?9J B 6 \$*#% #\$\$ G<99H' C: '