

0,80mm EDGE RATE ASSEMBLY ERDP SERIES

SPECIFICATIONS

For complete specifications and recommended PCB layouts see www.samtec.com?ERDP

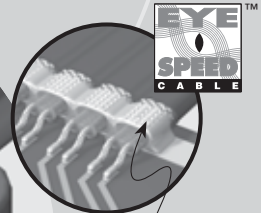
Cable:
30 AWG Eye Speed™ MS twinax ribbon cable
Signal Routing:
100Ω Single-Ended
Plating:
Au over 50μ" (1,27μm) Ni
Operating Temp Range:
-55°C to +125°C
RoHS Compliant:
Yes

Mates with:
ERF8, ERM8

Broadside wiping contacts reduce unwanted crosstalk



(0,80mm)
.0315" pitch



30 AWG Eye Speed™ MS twinax ribbon cable

Optional rugged metal latching system



-013, -025, -049

- "XX.XX"
= Wire Length in Inches
(95,3mm) 03.75" minimum

- TTR = Terminal, Top Right
- TTL = Terminal, Top Left
- TBR = Terminal, Bottom Right
- TBL = Terminal, Bottom Left
- STR = Socket, Top Right
- STL = Socket, Top Left
- SBR = Socket, Bottom Right
- SBL = Socket, Bottom Left
- TEU = Terminal, Edge Mount Up
- TED = Terminal, Edge Mount Down

- 1 = Pin 1 to Pin 1
- 2 = Pin 1 to Pin 2
- 3 = Pin 1 to Pin N-1
- 4 = Pin 1 to Pin N

- Leave blank for no Latch
- L = End No. 1 Latch option
- R = End No. 2 Latch option
- D = Both Ends Latch option
- N = No Caps (Both ends have Latch option)

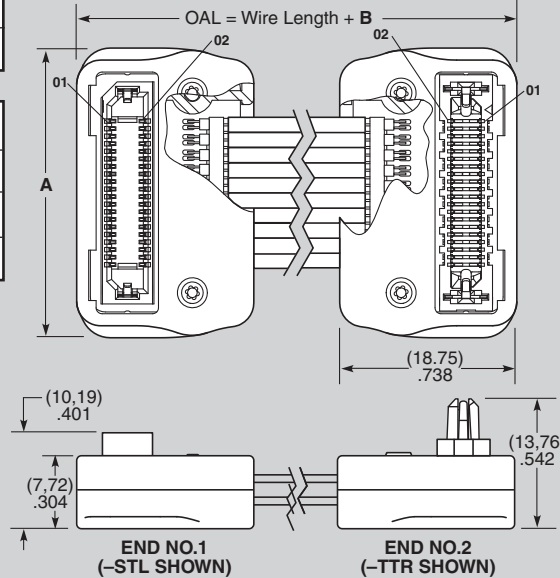
END TO END	B
DV to DV	(23,47) .924
DV to Edge Mount (-TXX)	(26,69) 1.051
Edge Mount (-TXX)	(29,92) 1.178

POSITIONS PER ROW	A
-013	(25,86) 1.018
-025	(34,67) 1.365
-049	(53,85) 2.120

Note:
Cable lengths longer than 40.00" (1 meter) are not supported with S.I. test data.

Note:
Verify part number and correct wiring scheme with Samtec's Interactive Cable Builder at www.samtec.com/cable_builder/pitch.asp

Note:
Some lengths, styles and options are non-standard, non-returnable.



Due to technical progress, all designs, specifications and components are subject to change without notice.

WWW.SAMTEC.COM