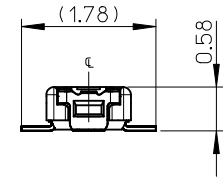
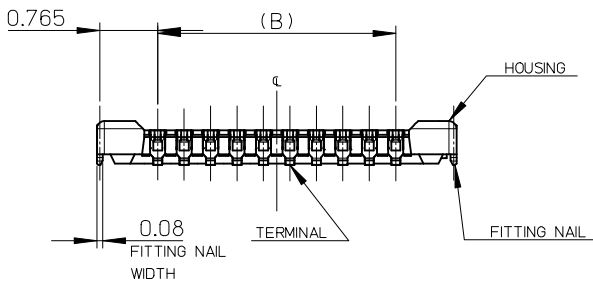


SECTION A-A

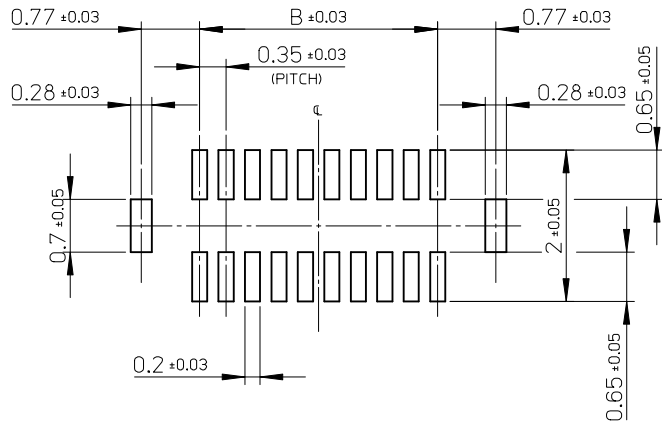


注記 NOTES

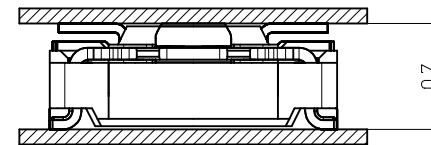
1. 使用材料 MATERIAL
 ハウジング : 液晶ポリマー (LCP) UL94V-0 (黒)
 HOUSING: LIQUID CRYSTAL POLYMER UL94V-0 (COLOR: BLACK)
 ターミナル : 銅合金
 TERMINAL : COPPER ALLOY
 金具 : 銅合金
 FITTING NAIL : COPPER ALLOY
2. メッキ仕様 PLATING
 ターミナル TERMINAL
 金メッキ
 GOLD
 下地メッキ : ニッケルメッキ
 UNDER PLATING : NICKEL
 ※コンタクト部とテール部はニッケルメッキによって分断されている金メッキです。
 DIVIDE INTO PARTS THE GOLD PLATING OF THE CONTACT AND THE TAIL PART BY THE NICKEL PLATING.
 金具 FITTING NAIL
 金メッキ (テール部のみ)
 GOLD (ONLY TAIL PART)
 下地メッキ : ニッケルメッキ
 UNDER PLATING : NICKEL
3. (全極数 / 2) = 偶数の場合に適用。
 APPLY FOR (CIRCUIT/2)=EVEN.
4. 嵌合相手 : 504008 シリーズ
 MATE WITH : 504008 SERIES.
5. テール平坦度は、0.08 以下
 テール及び金具の平坦度は、0.1 以下
 TAIL COPLANARITY TO BE 0.08 MAXIMUM.
 TAIL AND FITTING NAIL COPLANARITY TO BE 0.1 MAXIMUM.
6. ELV & RoSH 適合品
 ELV and RoSH COMPLIANT

| | | | |
|------------------------------------|------|------------------|----------|
| 1.4 | 3.01 | 504011-1010 | 10 |
| B | A | EMBOSSED PACKAGE | 極数 |
| | | オーダー番号 ORDER No. | CIRCUITS |
| CONNECTOR SERIES No. : 504011-xx09 | | | |

| | | | | | | | | | | |
|--|---|---|--|--|--|---|------------------------|---------------------------|--|--|
| RELEASED EC NO: J2013-0281 DRWN: ITANIGUCHI 01 2012/09/04 CHKD: RTAKEUCHI 2012/09/04 APPR: MSASAO 2012/09/05 | REV DESCRIPTION 10 UNDER ±0.2 10 OVER 30 UNDER ±0.25 30 OVER ±0.3 ANGULAR ±1 ° DRAFT WHERE APPLICABLE MUST REMAIN WITHIN DIMENSIONS | GENERAL TOLERANCES (UNLESS SPECIFIED) | | DIMENSION STYLE MM ONLY | | SCALE 15:1 | DESIGN UNITS METRIC | THIRD ANGLE PROJECTION | | |
| | | DRAWN BY DATE TTANIGUCHI 01 2012/09/04 | | CHECKED BY DATE RTAKEUCHI 2012/09/04 | | TITLE 0.35 B-TO-B CONN HGT=0.7 PLUG ASSY 035ST7 | | | | |
| | | APPROVED BY DATE MSASAO 2012/09/05 | | MATERIAL NO. SEE CHART | | DOCUMENT NO. SD-504011-001 | | SHEET NO. 1 OF 2 | | |
| | | SIZE A3 | | THIS DRAWING CONTAINS INFORMATION THAT IS PROPRIETARY TO MOLEX INCORPORATED AND SHOULD NOT BE USED WITHOUT WRITTEN PERMISSION | | | | | | |
| | | A | | | | | | | | |



RECOMMENDED P.W. BOARD
PATTERN LAYOUT

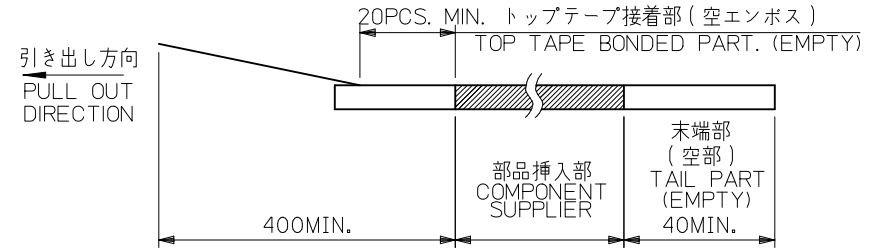


MATED DRAWING
(SCALE 30:1)

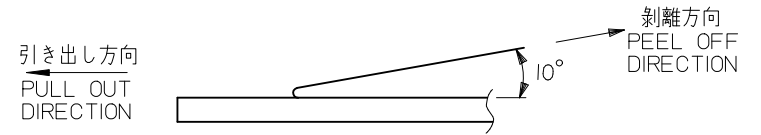
| | | | | | | |
|--|---------------------------------------|--|-----------------------------------|--------------------------------------|---|------------------------|
| RELEASED EC NO: J2013-0281 DRWN: TTANIGUCHI 01 2012/09/04 CHKD: RTAKEUCHI 2012/09/04 APPR: MSASAO 2012/09/05 | GENERAL TOLERANCES (UNLESS SPECIFIED) | | DIMENSION STYLE MM ONLY | SCALE 15:1 | DESIGN UNITS METRIC | THIRD ANGLE PROJECTION |
| | 10 UNDER | ±0.2 | DRAWN BY TTANIGUCHI 01 | DATE 2012/09/04 | TITLE 0.35 B-TO-B CONN HGT=0.7 PLUG ASSY 035ST7 | |
| | 10 OVER 30 UNDER | ±0.25 | CHECKED BY RTAKEUCHI | DATE 2012/09/04 | molex | |
| | 30 OVER | ±0.3 | APPROVED BY MSASAO | DATE 2012/09/05 | | |
| ANGULAR ±1° | | MATERIAL NO. SEE CHART | | DOCUMENT NO. SD-504011-001 | SHEET NO. 2 OF 2 | |
| DRAFT WHERE APPLICABLE MUST REMAIN WITHIN DIMENSIONS | | THIS DRAWING CONTAINS INFORMATION THAT IS PROPRIETARY TO MOLEX INCORPORATED AND SHOULD NOT BE USED WITHOUT WRITTEN PERMISSION | | | | |

注記 NOTES

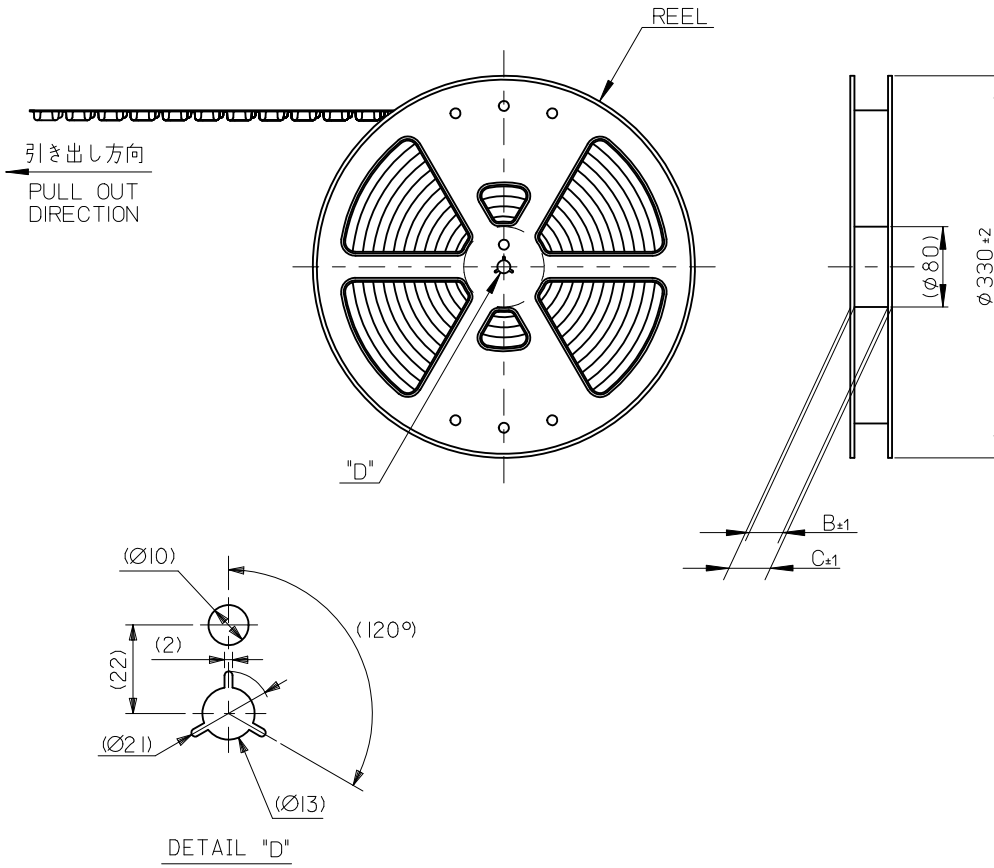
- 製品詳細寸法については製品単体図面を参照下さい。
RE DETAILED DIMENSION, SEE PRODUCT DRAWING.
- 梱包数量：3000 個／リール
NUMBER OF CONNECTORS : 3000PCS/REEL
- リードテープ長さ LEAD TAPE LENGTH



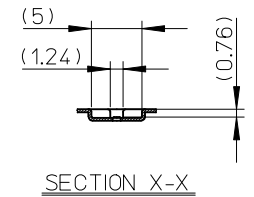
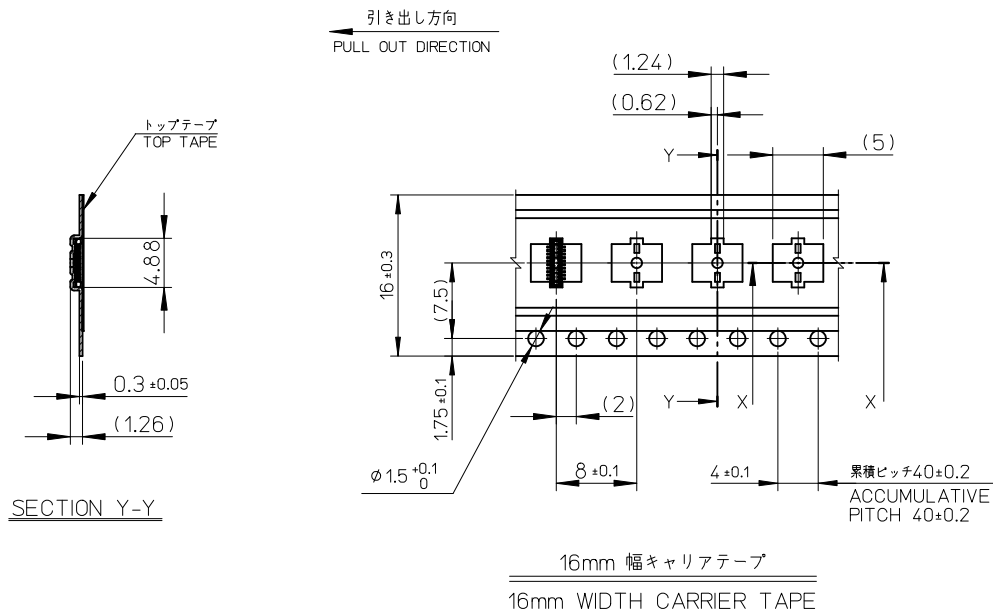
- トップテープの剥離強度：0.1N~1.3N(10gf~130gf)
(剥離方向は下図参照)
尚、本規格値は出荷時に適用。(但し、輸送時に剥離が発生しないこと。)
PEELING OFF FORCE OF TOP TAPE : 0.1N~1.3N(10gf~130gf)
(PEELING DIRECTION AS SHOWN IN FOLLOWING FIG.)
THIS REQUIREMENT SHOULD BE APPLIED AT SHIPMENT.
PEEL OFF SHOULD NOT BE ALLOWED , DURING TRANSPORTION.



- 材料 MATERIAL
キャリアテープ (CARRIER TAPE) : ポリスチレン (POLYSTYRENE)
トップテープ (TOP TAPE) : PET , OTHER
リール (REEL) : ポリスチレン (PS) <リサイクル材を含む>
POLYSTYRENE (PS) <RECYCLE MATERIAL CONTAINED>
- ELV 及び RoHS適合品
ELV AND RoHS COMPLIANT



| | | | | | | | |
|---|---------------------------------------|---------------------------|---|-------------------------------|---|------------------------|--------------------------|
| RELEASED EC NO: J2012-1336 DRWN: TTANIGUCHI 2012/04/17 CHKD: RTAKEUCHI 2012/05/16 APPR: MSASAO 2012/05/17 | GENERAL TOLERANCES (UNLESS SPECIFIED) | | DIMENSION STYLE MM ONLY | | SCALE 1:1 | DESIGN UNITS METRIC | MODEL NO. 504011-xx10 |
| | 10 UNDER | ± --- | DRAWN BY TTANIGUCHI | DATE 01 2012/04/17 | TITLE 0.35 B-T0-B CONN HGT=0.7 PLUG ASSY EMBSTP PKG 035ST7 | | |
| | 10 OVER 30 UNDER | ± --- | CHECKED BY RTAKEUCHI | DATE 2012/05/16 | | | |
| | 30 OVER | ± --- | APPROVED BY | DATE | | | |
| ANGULAR ±1 | ° | MATERIAL NO. SEE CHART | | DOCUMENT NO. SD-504011-002 | SHEET NO. 1 OF 2 | | |
| DRAFT WHERE APPLICABLE MUST REMAIN WITHIN DIMENSIONS | | SIZE A3 | THIS DRAWING CONTAINS INFORMATION THAT IS PROPRIETARY TO MOLEX INCORPORATED AND SHOULD NOT BE USED WITHOUT WRITTEN PERMISSION | | | | |



| | | | | | |
|--------------------------------|------|------|------|--------------|-------------|
| 16 | 21.4 | 17.4 | 3.13 | 504011-1010 | 10 |
| キャリアテープ幅 CARRIER TAPE WIDTH | | | C | B | (A) |
| | | | | MATERIAL No. | 504011-1010 |
| | | | | MODEL No. | 504011-1010 |

| | | | | | | | |
|---|---------------------------------------|---|----------------------------|-------------------------------|--------------------|------------------------|------------------------|
| RELEASED EC NO: J2012-1336 DRWN: ITANIGUCHI 2012/04/17 CHKD: RTAKEUCHI 2012/05/16 APPR: MSASAO 2012/05/17 | GENERAL TOLERANCES (UNLESS SPECIFIED) | | DIMENSION STYLE MM ONLY | | SCALE 2:1 | DESIGN UNITS METRIC | THIRD ANGLE PROJECTION |
| | 10 UNDER | ± --- | DRAWN BY TTANIGUCHI | | DATE 2012/04/17 | | |
| | 10 OVER 30 UNDER | ± --- | CHECKED BY RTAKEUCHI | | DATE 2012/05/16 | | |
| | 30 OVER | ± --- | APPROVED BY | | DATE | | |
| ANGULAR ±1 ° | | MATERIAL NO. SEE CHART | | DOCUMENT NO. SD-504011-002 | | | SHEET NO. 2 OF 2 |
| DRAFT WHERE APPLICABLE MUST REMAIN WITHIN DIMENSIONS | | THIS DRAWING CONTAINS INFORMATION THAT IS PROPRIETARY TO MOLEX INCORPORATED AND SHOULD NOT BE USED WITHOUT WRITTEN PERMISSION | | | | | |

0.35 B-T0-B CONN HGT=0.7
PLUG ASSY EMBSTP PKG
035ST7

molex