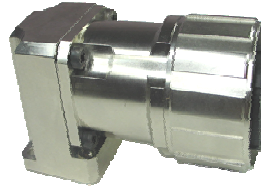
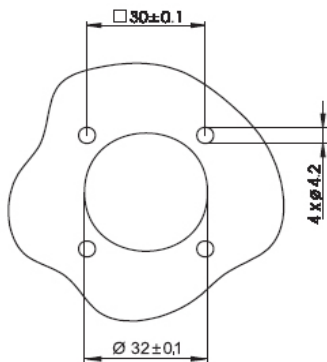
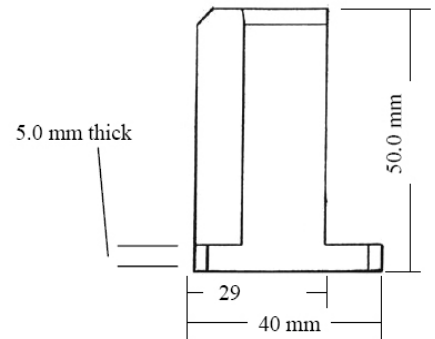


Flange connector, square flange, angled version front mount, and axial O-ring. PE connecting earth pin to the shell 6 position female (2+3+PE)



Side-view



Technical details:



Shell material: zinc die-cast, chromated

Insert material: PA 66, UL 94 V0

Contact material: CuZn

Contact plating: nickel + gold plated

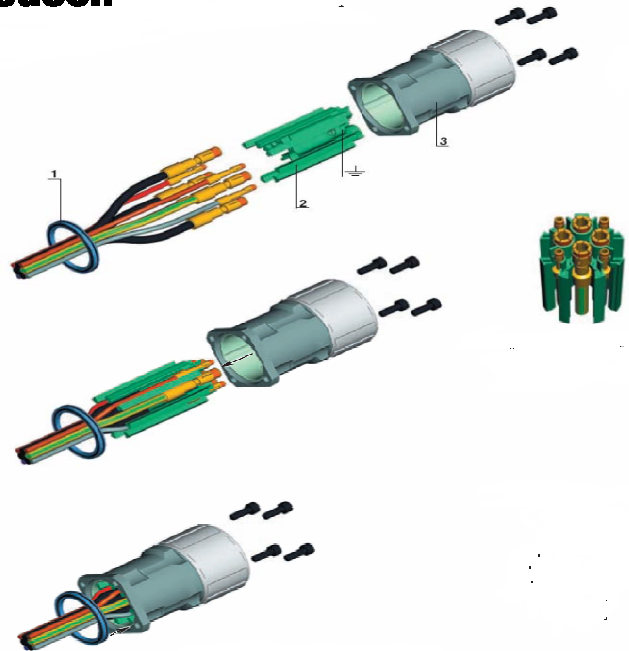
The following contacts can be used, but not included in this part number:

2 x 2.0 mm contacts 24-17AWG SF-7PS2000
18-16AWG SF-7NS2000
17-14AWG SF-7QS2000
12AWG SF-7MS2000

4 x 3.6 mm contacts 17-14AWG SM-36KS001
14-12AWG SM-36KS002
12-10AWG SM-36KS003
10-8AWG SM-36KS004

Protection: IP 67 (mated)
O-rings/gaskets: Fluor rubber (FPM)
Temperature: - 40°C (-40°F)
+ 125°C (+ 257°F)

Rated current: 9/70 Amp
Rated voltage: 250/630 Volt
Insulation resistance: $\geq 10^{12} \Omega$



DRAWN BY _____
Se
REVISED _____
00-00-00
DATE _____
04-25-08

DESCRIPTION _____
Flange connector M 40
PART NUMBER _____
SM-5ES1N8AYW00S