

# XLG

## ■ XLG Features

- Oxygen Free Copper contact for superior crystalline pure sound.
- Resilient socket insulator for best performance in humid conditions - minimizes vibration and electrical noise
- UL approved insulator and bushing
- Rugged design to withstand extreme field use
- Quick disconnect latch look
- Interchangeable & intermateable with XLB2, XLA, XLR, XLB-PC, XLM

## ■ Oxygen Free Copper

The contact material of the XLG series, supplied by HITACHI CABLE Ltd., is the linear crystal OFC(LC-OFC) Class 1 fabricated using a proprietary degassing technique. OFC Class 1 has close to zero contamination in its crystalline structure, being almost free from Hydrogen gas.

※LC-OFC : Linear Crystal Oxygen Free Copper

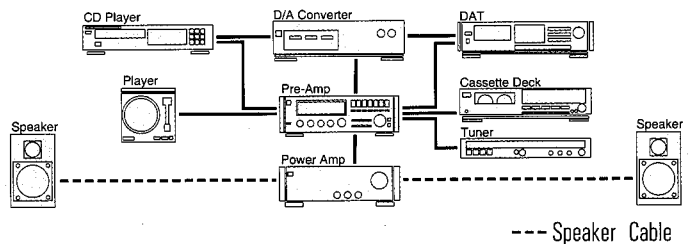
## ■ Applications

- Amplifiers
- Tuners
- DATs
- D/C Converters
- CD Players
- Equalizers
- Speakers

\*Interconnecting cable : p22

- Analysis example of Hydrogen gas content ; 0.2/0.4PPM

Impurities contained in the crystal have been minimized as well as the number of crystal boundaries. Thus AV signal distortion and attenuation are reduced to an ideal level and 100% AV quality is assured.



## ■ Standard Data

### ● Specifications(Detail p4)

Rated Current	15A
Service Voltage	133VAC
Dielectric Withstanding Voltage	1400VAC
Insulation Resistance	5000MΩmin.at 500VDC
Contact Resistance	5mΩMAX

### ● Materials(Finishes)

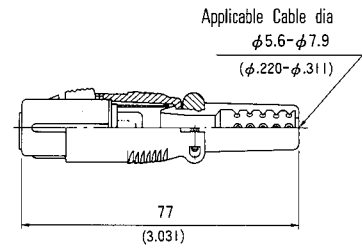
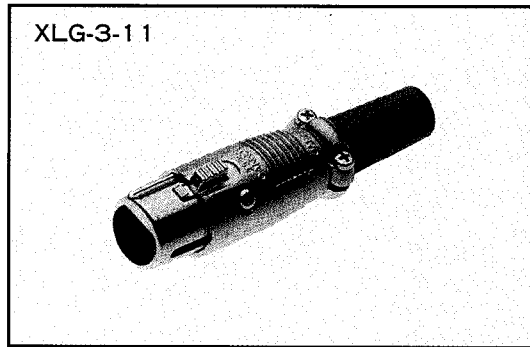
Contacts	Copper LC-OFC class 1 (Gold)
Insulator Socket	Chloroprene
pin	Nylon
Shell	Aluminum Alloy (Satin Nickel)
Barrel	Stainless Steel
Bushing	Chloroprene

## ■ How To Order

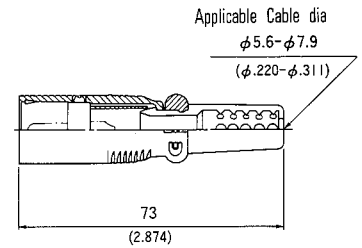
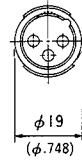
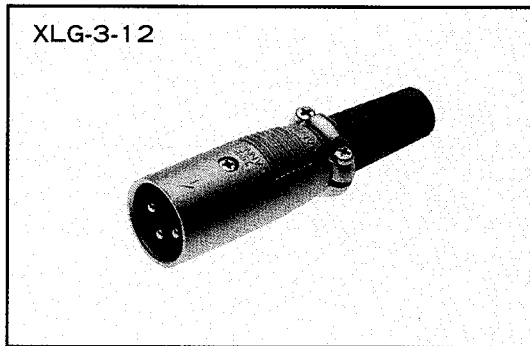
● Series Prefix	XLG-3-11 * - *	
● Contact Arrangements	3	
● Shell Styles	11 — Female Plug 12 — Male Plug 31 — Female Flange Receptacle 32 — Male Flange Receptacle	
● Shell Color	Blank — Silver Shell (Nickel Plating), Gold Plated Contacts R — Black Shell, Gold Plated Contacts	
● Modifications	B — Black Bushing (11 and 12) R — Red Bushing (11 and 12)	

## Plugs

### Female Plug

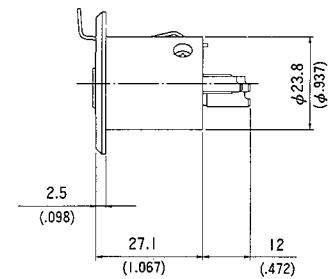
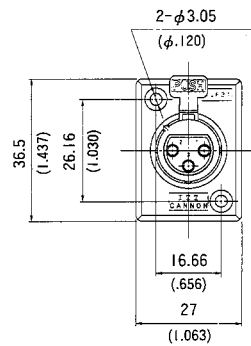
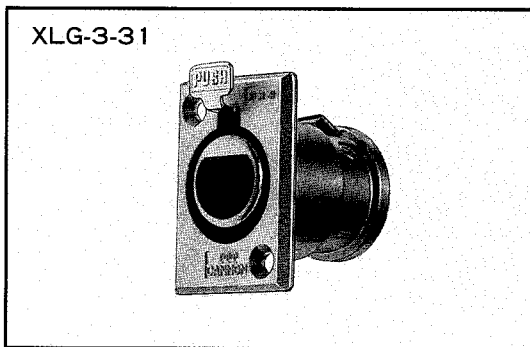


### Male Plug



## Receptacles

### Female Flange Receptacle



### Male Flange Receptacle

