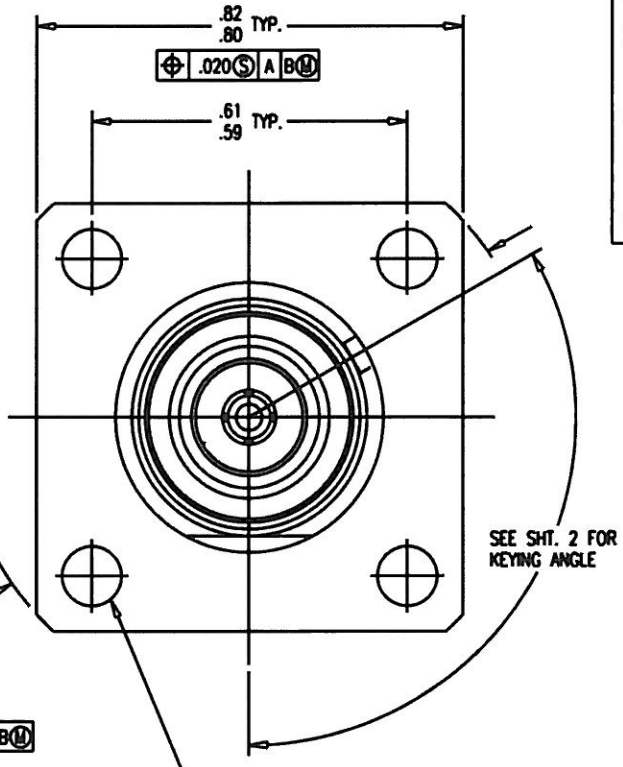
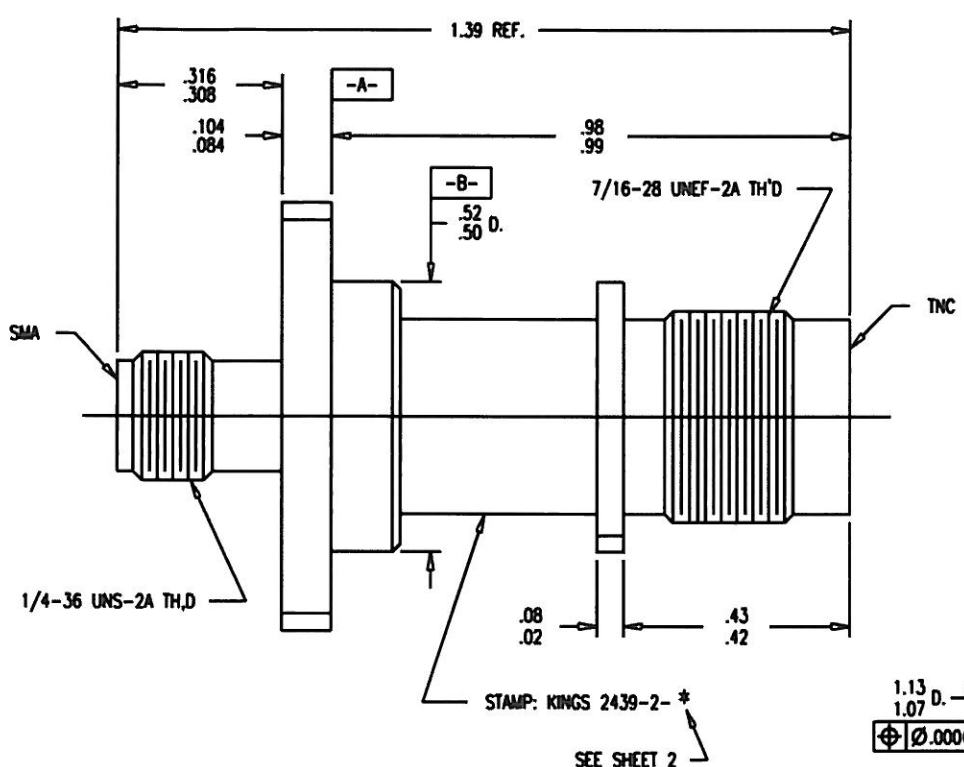


DASH NO.	M CODE	MADE FROM
----------	--------	-----------

GSD



- NOTES:
- FOR USE WITH .52 D. MIN. MOUNTING HOLE AND .13 MAX. PANEL.
 - INTERFACE PER MIL-STD-348, SMA: FIG. 310-2
TNC: FIG. 313-2
 - MATERIALS:
INSULATORS-TEFLON, ASTM-D-1457
CENTER CONTACT- BER. COP., ASTM-B-196
ALL OTHER METAL PARTS-STAINLESS STEEL PER ASTM-A-582.
 - FINISHES:
CENTER CONTACTS-GOLD PLATE PER MIL-G-45204
ALL OTHER METAL PARTS-PASSIVATED PER QQ-P-35
 - ELECTRICAL CHARACTERISTICS:
NOMINAL IMPEDANCE-50 OHMS
FREQUENCY RANGE-DC TO 11 GHZ
WORKING VOLTAGE-500 VRMS
 - MEETS REQUIREMENTS OF HUGHES H8000201 REV.A

- ⊕ = POSITION
- Ⓜ = AT MAX. MATERIAL CONDITION
- Ⓛ = AT LEAST MATERIAL CONDITION
- Ⓢ = REGARDLESS OF FEATURE SIZE

2439-2-* (SHT 1 OF 2)

REVISIONS	
ISSUE	CHANGES
2	ER 32830 WJM 02/01/91
3	CN 36840 A CCT 03/19/96
4	CN 38966 A DCT 10/27/93
5	CN 39475 A DCT 5/23/96

SCALE 4:1	
APPROX SURFACE AREA	
WAS: E-16351	
USED ON	
REV: HUGHES H8000201 REV.A	
ADAPTER, F-F, PANEL, KEYED, SMA-TNC	
DRAWN KH	DATE 06/05/90
DESIGN CT	DATE 02/04/91
APPR. JT	DATE 02/05/91

KINGS
ELECTRONICS CO., INC.
ROCK HILL, SOUTH CAROLINA 29730


2439-2-* (SHT 1 OF 2)

GSD

KINGS PART NO.	KEYING ANGLE	HUGHES CONTROL NUMBER H8000201-
2439-2-1	42°	001
2439-2-2	54°	
2439-2-3	66°	
2439-2-4	78°	
2439-2-5	90°	002
2439-2-6	102°	003
2439-2-7	114°	
2439-2-8	126°	
2439-2-9	138°	
2439-2-10	150°	004
2439-2-11	162°	005
2439-2-12	174°	
2439-2-13	186°	
2439-2-14	198°	
2439-2-15	210°	006
2439-2-16	222°	007
2439-2-17	234°	
2439-2-18	246°	
2439-2-19	258°	
2439-2-20	270°	008
2439-2-21	282°	
2439-2-22	294°	
2439-2-23	306°	
2439-2-24	318°	009

GSD

GSD

2439-2- * (SHEET 2 OF 2)	
REVISIONS	
ISSUE	CHANGES
2	ER 32830 WJM 02/01/91
3	CN 36840 A CCT 03/19/96
4	CN 38966 A DCT 10/27/3
5	CN 39475 A DCT 5/23/6
SCALE 1:1	
APPROX SURFACE AREA	
USED ON	
REF:	
PART NO. & ANGLE TABLE	
DRAWN KH	DATE 06/05/90
DESIGN CT	DATE 02/04/91
APPR. JT	DATE 02/05/91
 KINGS ELECTRONICS CO., INC. ROCK HILL, SOUTH CAROLINA 29730	
2439-2- * (SHEET 2 OF 2)	