

SPECIFICATIONS

Mechanical

Contact Retention Force: 4.9 N min. per pin
Contact Insertion Force: 1.15 N max. per contact pair
Contact Removal Force: 0.15 N min per contact pair
Durability: 50 Cycles

Electrical

Current Rating: 1.1A min. per pin
Contact Resistance: 30 mW max. initial, 50 mW max. after test
Dielectric Withstanding Voltage: 500V AC min. at Sea Level
Insulation Resistance: 1000MW min.

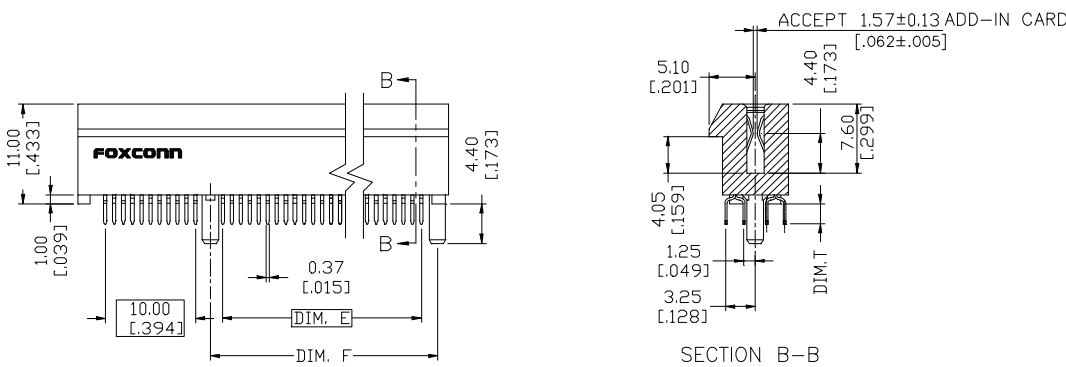
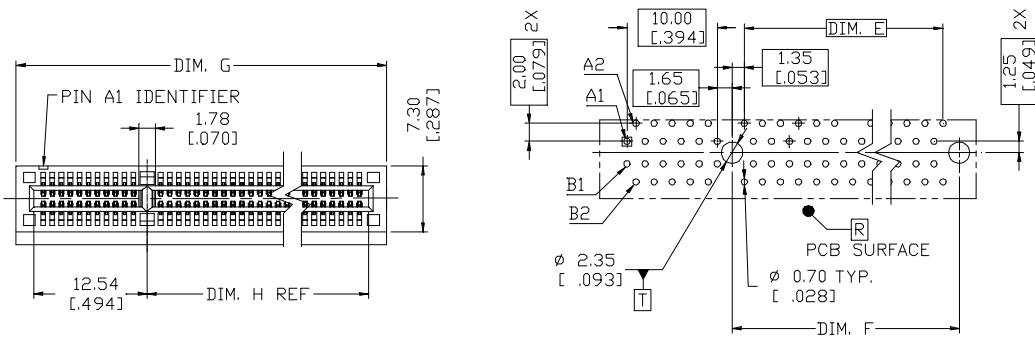
Physical

Housing: Thermoplastic, UL 94V-0 rated, in Green Color
Contact: Copper alloy
Plating: See "ORDERING INFORMATION"
Operating Temperature: -40 to +105

2EG Series
Vertical Type
1. 00mm [.039"] Pitch
36 Pos. (1X)
64 Pos. (4X)
98 Pos. (8X)
164 Pos. (16X)



DRAWING



ORDERING INFORMATION

PRODUCT NO.: 2EG 0 ** * * - D2G - **

Product Series: 2EG= PCI Express
 Terminal Type: 0= Vertical Type
 No. Of Pos.: 18= 36 Positions, 32= 64 Positions, 49= 98 Positions, 82= 164 Positions
 Tail Length: 1= 2.30 mm, 2= 3.10 mm
 Plating Type: DF= Lead Free
 Extension Code:
 Contact Area Gold Plating: 1= Gold Flash, 7= 15u" Gold, 3= 30u" Gold

2EG082**-D2G-*	70.00	73.15	89.00	72.54	2.30	3.10
2EG049**-D2G-*	37.00	40.15	56.00	39.54		
2EG032**-D2G-*	20.00	23.15	39.00	22.54		
2EG018**-D2G-*	6.00	9.15	25.00	8.54		
PART NUMBER	DIM. E	DIM. F	DIM. G	DIM. H	1.57 PCB	2.36 PCB
					DIM. T	