

Power Cord with IEC Connector C9, Angled

new



C9



70 °C

**Description**

Power Supply Cord / Interconnection Cord, Protection class II, Pin temperature 70 °C, Cable

Approvals

- VDE License Number: 1058
- UL License Number: E45116
- CSA License Number: 27325

Technical Data

Ratings IEC	6 A / 250VAC; 50Hz
Ratings UL/CSA	6 A / 250VAC; 60Hz
Dielectric Strength	> 2 kVDC between L-N > 2 kVAC between L/N-PE (1 min/50Hz)
Allowable Operation Temp.	-25 °C to 70 °C
Degree of Protection	from front side IP 20 acc. to IEC 60529
Protection Class	Suitable for appliances with protection class 2 acc. to IEC 61140
Terminal	moulded
Material: Housing	PVC, black or grey

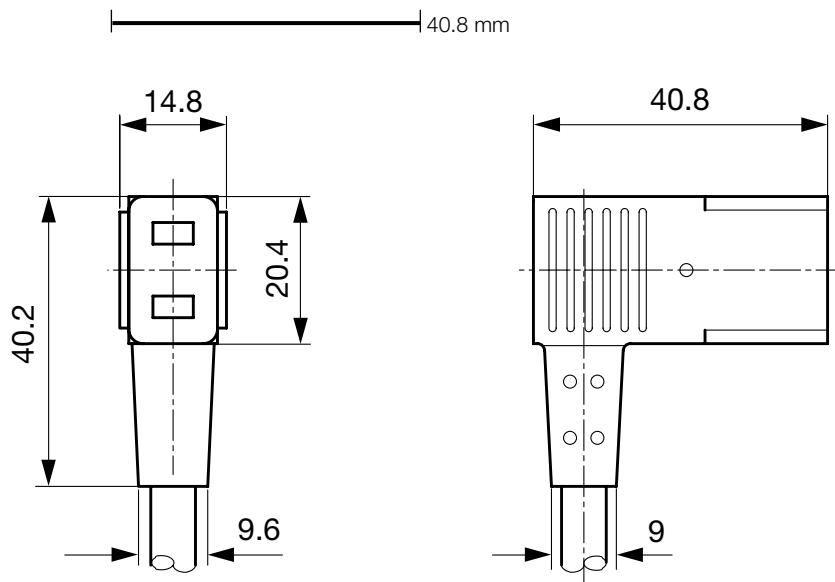
References

[General Product Information](#)

Weblinks

[Approvals](#), [RoHS](#), [CHINA-RoHS](#), [Mating Connectors](#), [e-Store](#), [Distributor-Stock-Check](#), [Accessories](#)

Connector	C9 acc. to IEC/EN 60320-2-2 UL 498, CSA C22.2 no. 42 (for cold conditions) pin-temperature 70 °C, 6 A, Protection Class 2
-----------	--

Dimensions

Config. Code

Product Configurator

Type - R - 9011 - D - Length

The characters are placeholders for the correspondingly keys of selections from the key tables.
Typ is placed for the connector type on the second end, length is the cord length in mm.

Type - R - 9011 - D - Length = Cord end 2

Cord end 2

zzzz, 2225, 2228, 2343, 4121, 419C, 4190, 4191, 607B, 608B, 609B

Type - R - 9011 - D - Length = cord type

cord type

Configuration key

cord type	Configuration key
H03VV-F 2x0,75mm ²	A
H03VWH2-F 2x0,75mm ²	B
H05VV-F 2x0,75mm ²	D
H05VWH2-F 2x0,75mm ²	E
SVT 2x18AWG	M

Cord definition is detailed in general product information XXX

Type - R - 9011 - D - Length = Color

Color

Configuration key

jet black; RAL9005	A
silver grey; RAL7001	B

standard color: black

Type - R - 9011 - D - Length = Cord length

Cord length

zzzz, 000500, 001000, 001500, 002500, 003000, 005000

Cord length in mm

Mating Inlets/Plugs

Category / Description



[Appliance Inlet Overview complete](#)

IEC Appliance Inlet C10, Screw-on Mounting, Front or Rear Side, Solder or Quick-connect Terminal	6058
IEC Appliance Inlet C10, Screw-on Mounting, Front Side, Solder or Quick-connect Terminal	6075
IEC Appliance Inlet C10, Screw-on Mounting, Front Side, Solder or Quick-connect Terminal	6076

[Appliance Inlet further types to 9011](#)