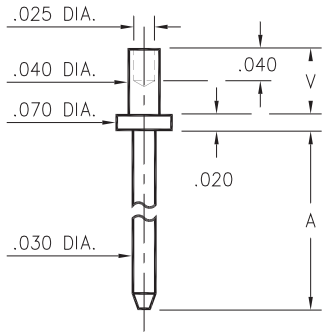


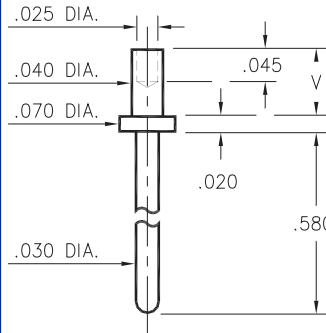
3110/3111



Basic Part Number	Board Thickness	Length A	Length V
3110-1	.031	.150	.051
3110-2	.062	.150	.082
3110-3	.094	.150	.113
3111-1	.031	.300	.051
3111-2	.062	.300	.082
3111-3	.094	.300	.113

311X-X-00-XX-00-00-08-0
Swage mount in .043 hole

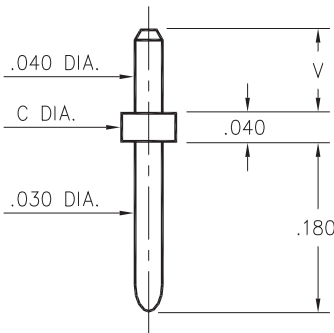
3150



Basic Part Number	Board Thickness	Length V
3150-1	.031	.051
3150-2	.062	.082

3150-X-00-XX-00-00-08-0
Swage mount in .043 mounting hole

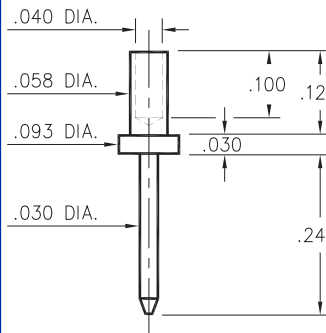
3136/3137



Basic Part Number	Flange Dia. C	Board Thickness	Length V
3136-1		.062	.082
3136-2	.078	.094	.110
3136-3		.125	.145
3137-1		.062	.082
3137-2		.094	.110
3137-3	.062	.125	.145
3137-4		.156	.185

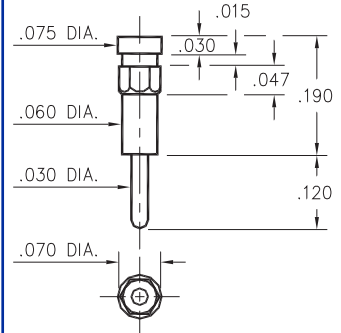
313X-X-00-XX-00-00-08-0
Solder mount in .043 mounting hole

3148



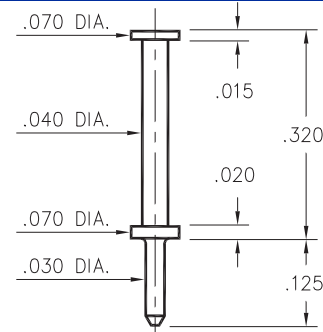
3148-3-00-XX-00-00-08-0
Swage mount in .062 hole for .094 thick board

8815



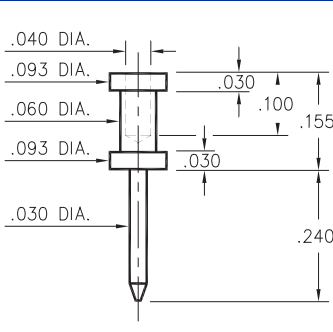
8815-0-00-XX-00-00-03-0
Hex press-fit in .066 plated thru hole

6821



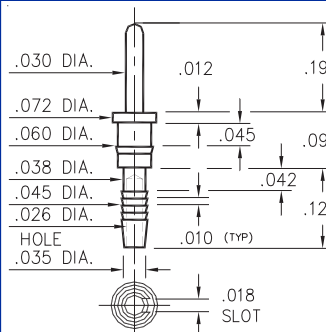
6821-0-00-XX-00-00-08-0
Wire Termination

3132



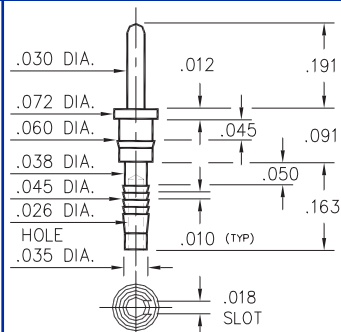
3132-0-00-XX-00-00-08-0
Wire Termination
Material is annealed

5601



5601-0-01-XX-00-00-03-0
Compliant press-fit in .040±.003 plated hole. For .060→.100 thick board.

5602



5602-0-01-XX-00-00-03-0
Compliant press-fit in .040±.003 plated hole. For .090→.130 thick board.

SPECIFICATIONS

PIN MATERIAL:
Brass Alloy 360, 1/2 Hard
(Except Swage pins which are annealed)

DIMENSION IN INCHES
TOLERANCES ON:
LENGTHS: ±.005
DIAMETERS: ±.002
ANGLES: ± 2°

ORDER CODE: XXXX - X - 0X - XX - 00 - 00 - XX - 0

BASIC PART #

SPECIFY PIN FINISH:

- 01 200μ" TIN/LEAD OVER NICKEL
- ◇ 80 200μ" TIN OVER NICKEL (RoHS)
- ◇ 15 10μ" GOLD OVER NICKEL (RoHS)
- ◇ 21 20μ" GOLD OVER NICKEL (RoHS)
- ◇ 34 50μ" GOLD OVER NICKEL (RoHS)

