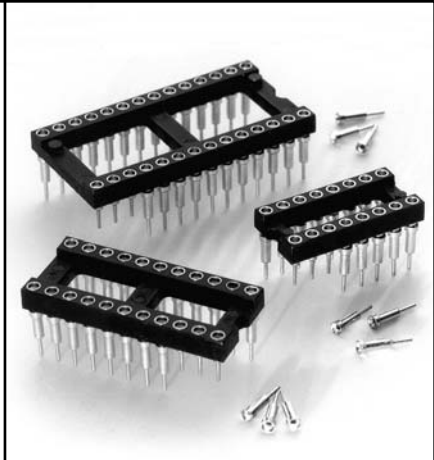


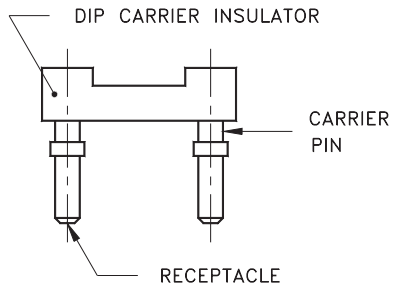
- Convenient way to load loose receptacles on PC board. See below for application details.
- Offers maximum ventilation and better visibility for inspection.
- Hi-Rel, 4-finger #30 clip rated at 3 amps. See page 208 for details.
- Uses Mill-Max #0255 pin receptacle. See page 134 for details.



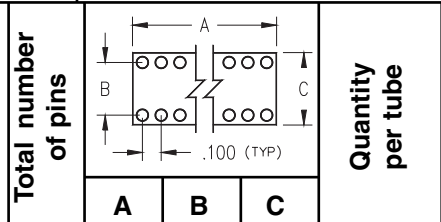
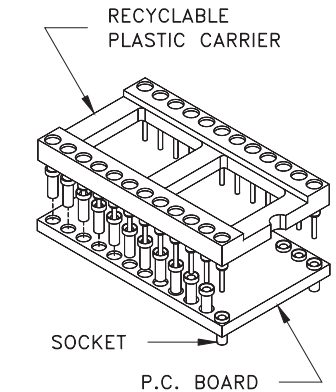
APPLICATION OF DIP/SIP SOCKET CARRIERS

Socket carriers provide a convenient way of loading groups of receptacles onto a printed circuit board.

A DIP carrier insulator with durable pins is assembled with loose receptacles.



The socket carrier keeps the receptacles fixtured in the PCB during soldering. After soldering, the carrier insulator is removed, leaving behind a low profile socket pattern. In high volume, the carrier can be reloaded with fresh receptacles.



Total number of pins	Pin Layout Dimensions			Quantity per tube
	A	B	C	
10	0.5	0.2	0.3	40
4	0.2	0.3	0.4	102
6	0.3	0.3	0.4	67
8	0.4	0.3	0.4	50
10	0.5	0.3	0.4	40
14	0.7	0.3	0.4	28
16	0.8	0.3	0.4	25
18	0.9	0.3	0.4	22
20	1.0	0.3	0.4	20
22	1.1	0.3	0.4	18
24	1.2	0.3	0.4	16
28	1.4	0.3	0.4	14
20	1.0	0.4	0.5	20
22	1.1	0.4	0.5	18
24	1.2	0.4	0.5	16
28	1.4	0.4	0.5	14
32	1.6	0.4	0.5	12
24	1.2	0.6	0.7	16
28	1.4	0.6	0.7	14
32	1.6	0.6	0.7	12
36	1.8	0.6	0.7	11
40	2.0	0.6	0.7	10
42	2.1	0.6	0.7	9
48	2.4	0.6	0.7	8
50	2.5	0.6	0.7	8
52	2.6	0.6	0.7	7
50	2.5	0.9	1.0	8
52	2.6	0.9	1.0	7
64	3.2	0.9	1.0	6

Ordering Information

612-XX-210-41-001
612-XX-304-41-001
612-XX-306-41-001
612-XX-308-41-001
612-XX-310-41-001
612-XX-314-4 1-001
612-XX-316-41-001
612-XX-318-41-001
612-XX-320-41-001
612-XX-322-4 1-001
612-XX-324-41-001
612-XX-328-4 1-001
612-XX-420-41-001
612-XX-422-41-001
612-XX-424-41-001
612-XX-428-41-001
612-XX-432-41-001
612-XX-624-41-001
612-XX-628-41-001
612-XX-632-41-001
612-XX-636-41-001
612-XX-640-41-001
612-XX-642-41-001
612-XX-648-41-001
612-XX-650-41-001
612-XX-652-41-001
612-XX-950-41-001
612-XX-952-41-001
612-XX-964-41-001

SPECIFY PLATING CODE XX=	13		93	
Sleeve (Pin)	10μ" Au		200μ" Sn/Pb	
Contact (Clip)	30μ" Au		30μ" Au	