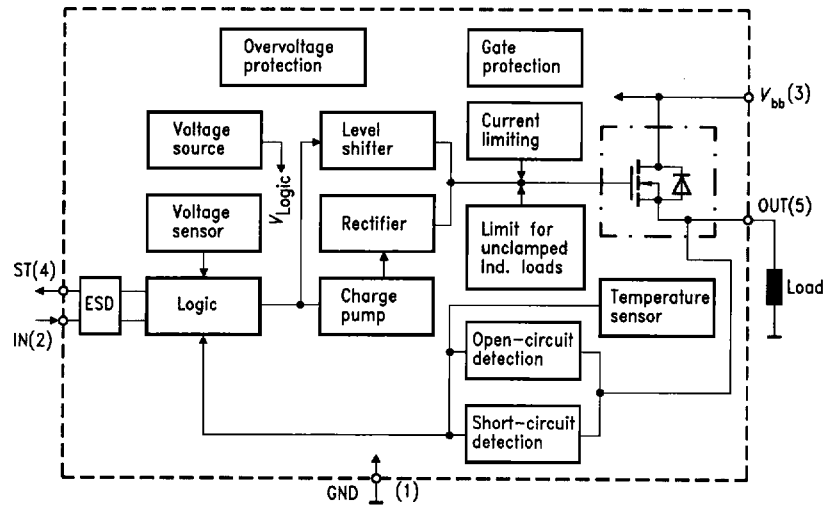


## Smart SIPMOS®

PROFET® (Geschützter FET)  
Einzelschalter

## Smart SIPMOS®

PROFET® (Protected FET)  
Single switch



Typ Type	Version	$V_{bb(AZ)}$ <sup>4)</sup> V	$R_{on(max)}$ mΩ	$I_L-ISO$ <sup>1)</sup> A	$I_{L-MOS(max)}$ <sup>2)</sup> A	$I_{L,Lim(typ)}$ <sup>5)</sup> A	Bestellnummer Ordering code	Gehäuse <sup>3)</sup> Package	Bild Fig.
-------------	---------	---------------------------------	---------------------	------------------------------	-------------------------------------	-------------------------------------	--------------------------------	----------------------------------	--------------

### mit hoher interner Kurzschlußstrombegrenzung

### with internal current limit at high value

<b>BTS 409</b>	-	>40	200	1.6	(13)	11	C67078-S5311-A2	TO-220 AB/5	12 a
<b>BTS 410 D</b>	D	>50	220	1.6	13	15	C67078-S5305-A3	TO-220 AB/5	12 a
<b>BTS 410 E</b>	E	>50	220	1.6	13	15	C67078-S5305-A4	TO-220 AB/5	12 a
■ <b>BTS 412 A</b>	A	>45	400	1	9.5	25	C67078-A5300-A5	TO-220 AB/5	12 a
<b>BTS 412 B</b>	B	>50	250	1.4	12	25	C67078-S5300-A9	TO-220 AB/5	12 a
■ <b>BTS 413 A</b>	C	>45	400	1	9.5	25	C67078-A5307-A2	TO-220 AB/5	12 a
<b>BTS 426</b>	-	>40	60	5.9	20	40	C67078-S5310-A2	TO-220 AB/5	12 a
<b>BTS 432 D</b>	D	>50	38	9	20	40	C67078-S5303-A3	TO-220 AB/5	12 a
<b>BTS 432 E</b>	E	>50	38	9	20	40	C67078-S5303-A4	TO-220 AB/5	12 a
<b>BTS 432 I1</b>	I	>50	38	9	20	30	C67078-S5308-A2	TO-220 AB/5	12 a
<b>BTS 542 D</b>	D	>50	20	17	42	70	C67078-S5400-A3	TO-218 AB/5	13
<b>BTS 542 E</b>	E	>50	20	17	42	70	C67078-S5400-A4	TO-218 AB/5	13

### mit niedriger interner Kurzschlußstrombegrenzung

### with internal current limit at low value

<b>BTS 410 F</b>	F	>50	220	1.6	(13)	6	C67078-S5305-A5	TO-220 AB/5	12 a
<b>BTS 410 G</b>	G	>50	220	1.6	(13)	6	C67078-S5305-A6	TO-220 AB/5	12 a
<b>BTS 410 H</b>	H	>50	220	1.6	(13)	6	C67078-S5305-A17	TO-220 AB/5	12 a
<b>BTS 432 F</b>	F	>50	38	(9)	(20)	17	C67078-S5303-A5	TO-220 AB/5	12 a

### nach Kundenspezifikation

### Customer-specific

<b>BTS XXXX</b>	X								
-----------------	---	--	--	--	--	--	--	--	--