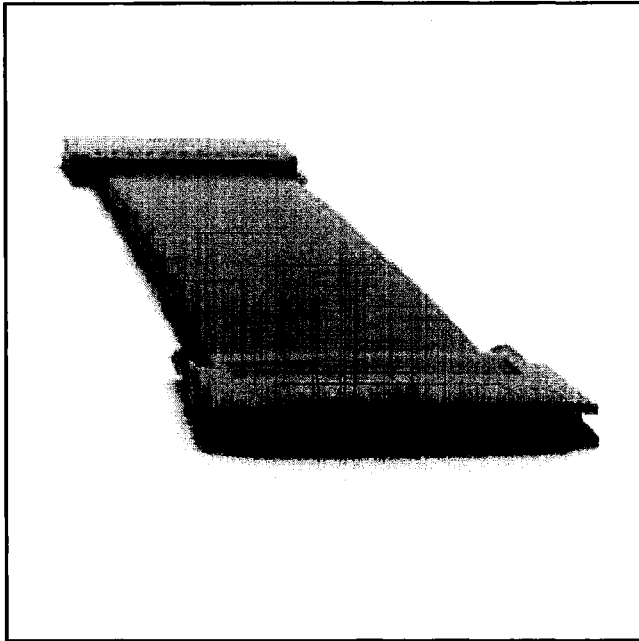


Pleated Foil I/O Cable Assemblies

MDR Version



159

- Mates with standard 3M MDR Boardmount Headers
- Pleated copper foil provides a 360 degree shield
- Supplied as a component of a complete assembly

Overmolded Assemblies

- Available in 68, 80 and 100 Positions
- Molded-in strain relief
- Can utilize either 4-40 or M2.5 thumbscrews

Metal Shell Assemblies

- Metal shells available in 20, 26, 36, 40, 50, 68, 80 and 100 Positions
- Offer quick release feature for ease of installation
- 68, 80 and 100 positions available with thumbscrews

Low Profile Clam Shell Assemblies

- Available in 68 and 80 Positions
- Overall Height .380 inches

Date Issued: February 19, 1999

TS-0804-03
Sheet 1 of 4

Physical

Cable: See TS-0285, TS-0402, TS-0451 and TS-0598

Connectors: See TS-0423 and TS-0424

Connector Metal Shells: See TS-0473, TS-0655, TS-0396 and TS-0355

Connector Overmold

Strain Relief Material: Glass Reinforced Polyester (PBT)

Jackscrews

Material: Steel

Plating: Black Oxide (M2.5)
Electroless Nickel (4-40)

Electrical

Insulation Resistance: $>5 \times 10^9$ @ 500 Vdc

Impedance: 50 and 75 Ω

Environmental

Temperature Rating: 75°C max

UL File No.: E86982 (Optional)

3M Electronic Products Division

6801 River Place Blvd.
Austin, TX 78726-9000

For Technical information and quoting call
800-334-7372
For ordering information call
800-225-5373

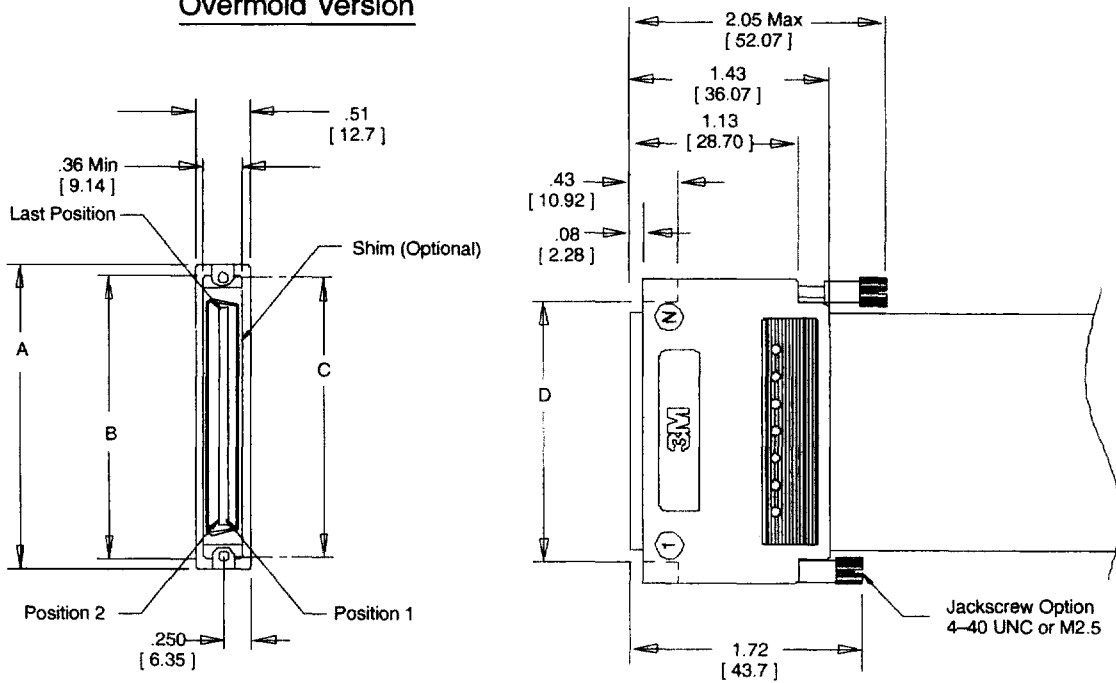
Pleated Foil I/O Cable Assemblies

MDR Version

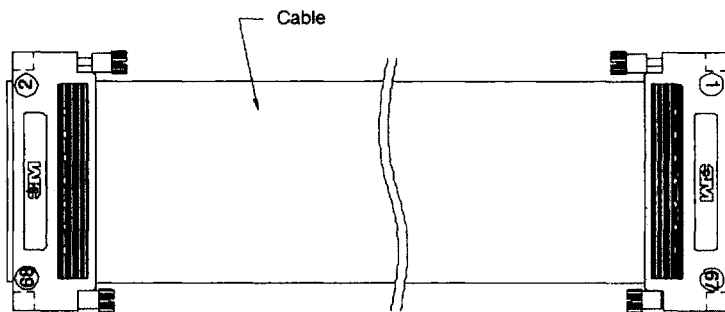
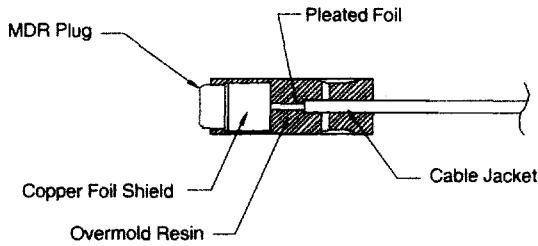
| Contact Quantity | Dimension A | Dimension B | Dimension C | Dimension D |
|------------------|---------------|---------------|---------------|---------------|
| 68 | 2.52 [63.9] | 2.32 [58.8] | 2.22 [57.9] | 2.11 [53.5] |
| 80 | 2.81 [71.4] | 2.61 [66.3] | 2.58 [65.4] | 2.41 [61.0] |
| 100 | 3.32 [84.2] | 3.12 [79.1] | 3.08 [78.3] | 2.91 [73.9] |

Assembly Tolerances
Length and Tolerance
<36": ±1"
36" to 120": ±2"
120" to 240": ±4"
>240": ±6"
Minimum Length: 8"

Overmold Version



N = Last Position Number



68 Position Shown

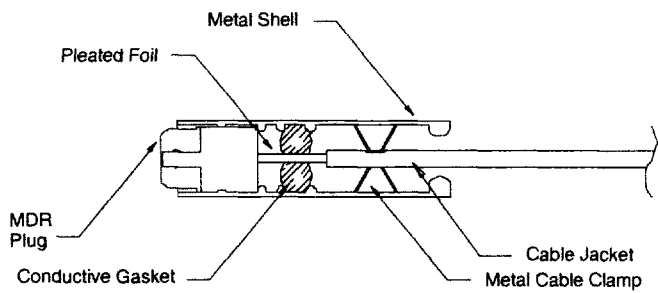
| Inch [mm] | | | |
|------------------------|-----|------|-------|
| Tolerance Unless Noted | | | |
| | .0 | .00 | .000 |
| Inch | ±.1 | ±.01 | ±.005 |

[] Dimensions for Reference only

TS-0804-03
Sheet 2 of 4

Pleated Foil I/O Cable Assemblies

MDR Version

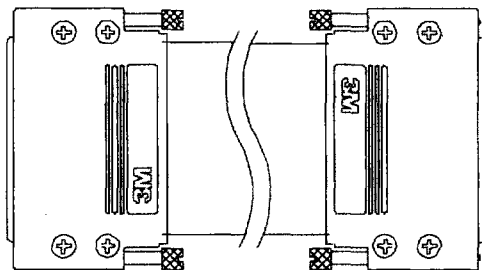
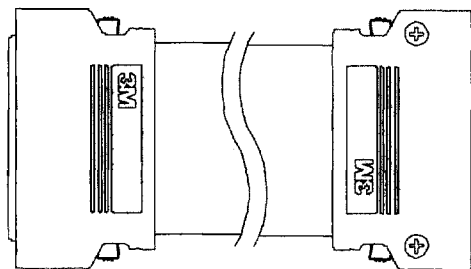
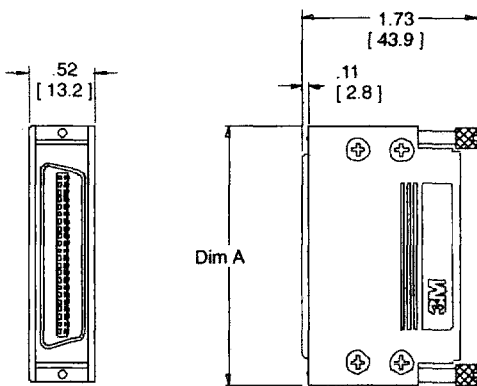
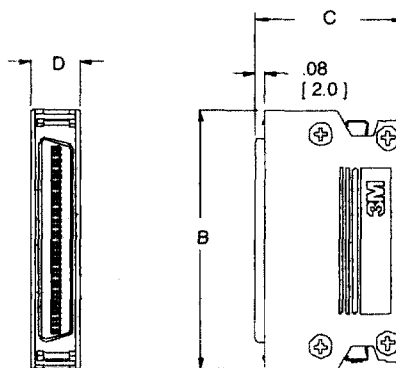


| Assembly Tolerances | |
|----------------------|-----|
| Length and Tolerance | |
| <36": | ±1" |
| 36" to 120": | ±2" |
| 120" to 240": | ±4" |
| >240": | ±6" |
| Minimum Length: | |
| 20-50 Position: | 6" |
| 68-100 Position: | 8" |

Thumbscrew Version

Quick Release Version

| Metal Shell with Thumbscrew Version | |
|-------------------------------------|---------------|
| Contact Quantity | Dimension A |
| 68 | 2.52 [63.8] |
| 80 | 2.82 [71.4] |
| 100 | 3.32 [64.1] |



| Metal Shell with Quick Release Version | | | |
|--|---------------|----------------|--------------|
| Contact Quantity | Dimension B | Dimension C | Dimension D |
| 20 | 1.17 [29.7] | 1.55 [37.19] | .42 [10.7] |
| 26 | 1.31 [33.3] | 1.50 [36.25] | |
| 36 | 1.57 [39.9] | | |
| 40 | 1.67 [42.4] | 1.35 [34.3] | .46 [11.7] |
| 50 | 1.93 [49.0] | | |
| 68 | 2.37 [60.2] | | |

TS-0804-03
Sheet 3 of 4

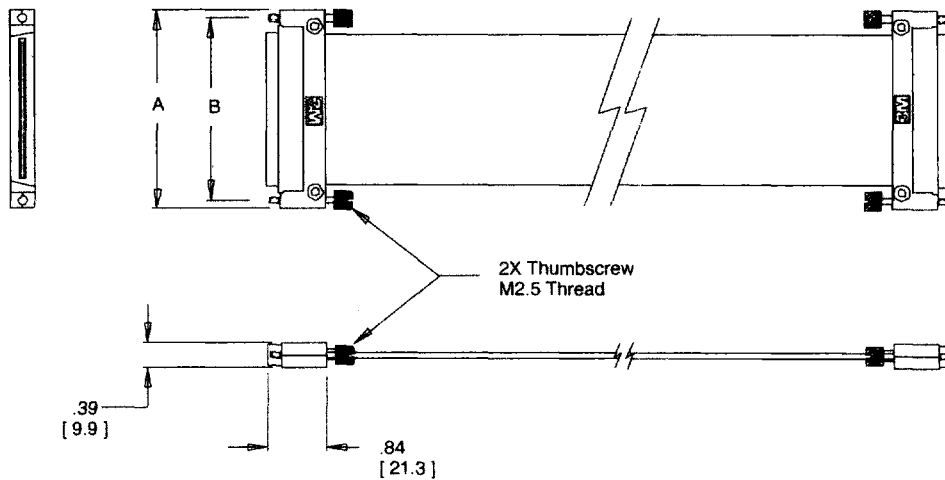
Pleated Foil I/O Cable Assemblies

MDR Version

| Assembly Tolerances | |
|----------------------|-----|
| Length and Tolerance | |
| <36" | ±1" |
| 36" to 120" | ±2" |
| 120" to 240" | ±4" |
| >240" | ±6" |
| Minimum Length: 6" | |

Low Profile Clam Shell Version

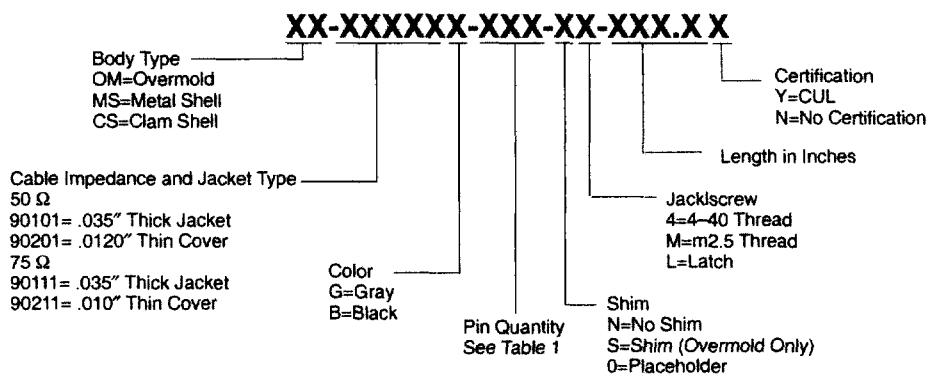
| Contact Quantity | Dimension A | Dimension B |
|------------------|---------------|---------------|
| 68 | 2.51 [63.8] | 2.28 [57.9] |
| 80 | 2.81 [71.3] | 2.58 [65.5] |



| Tolerance Unless Noted | | | |
|------------------------|-----|------|-------|
| | .0 | .00 | .000 |
| Inch | ±.1 | ±.01 | ±.005 |

[] Dimensions for Reference only

Ordering Information



TS-0804-03
Sheet 4 of 4