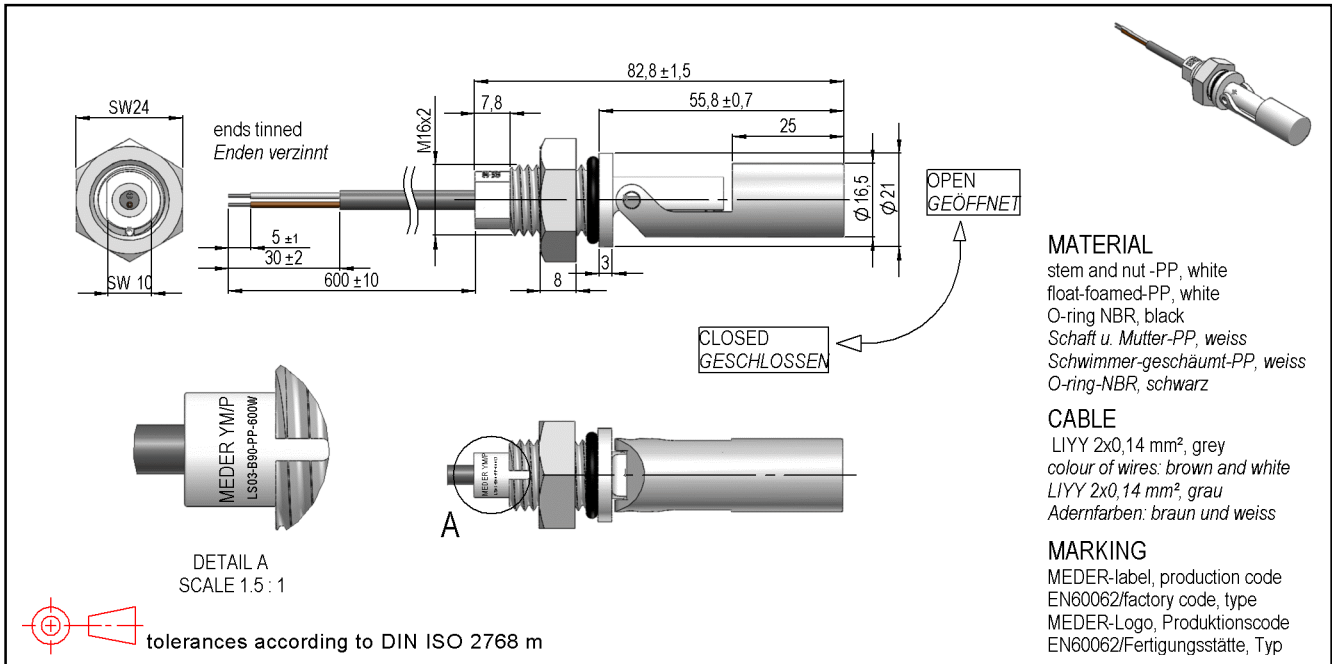


*Products for tomorrow...*



**MATERIAL**  
 stem and nut -PP, white  
 float-foamed-PP, white  
 O-ring NBR, black  
 Schaft u. Mutter-PP, weiss  
 Schwimmer-geschäumt-PP, weiss  
 O-ring-NBR, schwarz

**CABLE**  
 LIYY 2x0,14 mm<sup>2</sup>, grey  
 colour of wires: brown and white  
 LIYY 2x0,14 mm<sup>2</sup>, grau  
 Adernfarben: braun und weiss

**MARKING**  
 MEDER-label, production code  
 EN60062/factory code, type  
 MEDER-Logo, Produktionscode  
 EN60062/Fertigungsstätte, Typ

Special Product Data	Conditions	Min	Typ	Max	Unit
Contact rating	Any DC combination of V & A not to exceed their individual max.'s			10	W
operating voltage	DC or Peak AC			175	VDC
operating ampere	DC or Peak AC			1	A
Switching current	DC or Peak AC			0,5	A
Sensor-resistance	measured with 40% overdrive Sensor deactivated			350	mOhm
Housing material		PP			
Case color		white			
Sealing compound		Polyurethan			

Environmental data	Conditions	Min	Typ	Max	Unit
Operating temperature	cable not moved	-30		80	°C
Operating temperature	cable moved	-5		80	°C
Storage temperature		-30		80	°C
safety class	DIN EN 60529	IP68, until the thread			

Cable specification	Conditions	Min	Typ	Max	Unit
Cable typ		round cable			
Cable material		PVC			
Cross section		0,14 qmm			

General data	Conditions	Min	Typ	Max	Unit
Mounting advice		over 5m cable, a series resistor is recommended.			
Tightening torque				3	Nm