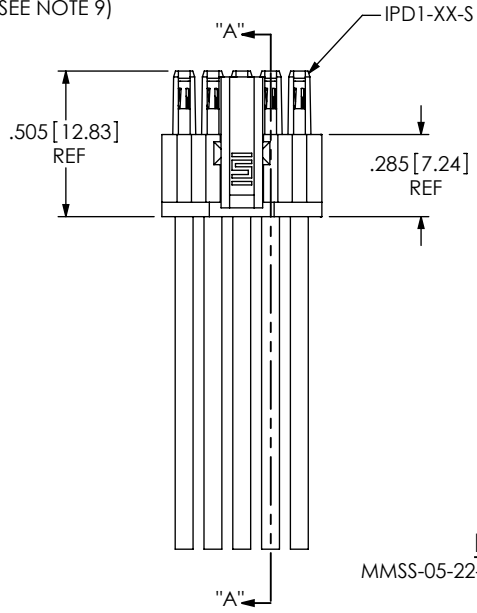
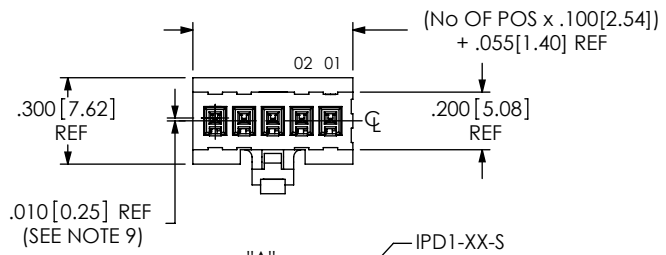


**REVISION J**

DO NOT SCALE FROM THIS PRINT

- NOTES:
1. Ⓢ REPRESENTS A CRITICAL DIMENSION.
  2. BURR ALLOWANCE: .003[0.08] MAX.
  3. PARTS TO BE MOLDED TO POSITION.
  4. MINIMUM PULLOUT FORCE: 5 lbs [2.22 N].
  5. CONTACT MUST BE INSERTED UNTIL RETENTION FEATURE LOCKS INTO PLACE.
  6. ALL FINISHED GOODS ARE TO BE ELECTRICAL TESTED INCLUDING HI-POT TEST @ 1000 VOLTS DC.
  7. TINNED COPPER WIRE CONTAINS LEAD.
  8. PARTS ARE TO BE LAYER PACKAGED.
  9. CONTACTS OFFSET FOR POLARIZATION.
  10. SEE DWLX-02-XX-X-XX.XX-XX FOR CRIMP DIMENSIONS.
  11. FOR LENGTHS LESS THAN 12 IN, TOLERANCE SHALL BE ±.125[3.18]. FOR OTHER LENGTHS, TOLERANCES SHALL BE ± 2%.



**MMSSX-XX-XXX-X-XX.XX-X-X-XXX**

TEFLON CABLE OPTION  
 \*-T: TEFLON (LEAVE BLANK FOR STANDARD PVC INSULATION)

No OF POSITIONS  
 -02 THRU -10

WIRE GAUGE (AWG)  
 -20, -22, -24, -26, -28, -30

COLOR CODE  
 C (SEE TABLE 2) (LEAVE BLANK FOR STANDARD BLACK CABLE) (NOT AVAILABLE WITH TEFLON OPTION)

PLATING SPECIFICATION  
 -F: FLASH SELECTIVE (USE C-179-XX-F)  
 -L: LIGHT SELECTIVE (USE C-179-XX-L)  
 -S: SELECTIVE (USE C-179-XX-S)

OPTION  
 [MUST BE USED ON -D END OPTION ONLY & APPLIES TO END 2 HOUSING]  
 -LUS: LATCH UP, STRAIGHT  
 -LDS: LATCH DOWN, STRAIGHT

OPTION  
 -K: KEYED POLARIZATION (USE IPD1-XX-S-K) (SEE FIG. 3, SHEET 2)

END OPTION  
 -S: SINGLE END  
 -D: DOUBLE END (MUST CHOOSE LUS OR LDS OPTIONS.)

ASSEMBLED LENGTH  
 SPECIFY IN INCHES [USE DWCX-XX-XX] (SINGLE END: 03.00[76.2] INCH MINIMUM, DOUBLE END: 03.25[82.6] INCH MINIMUM)

\* NOT RELEASED FOR PRODUCTION

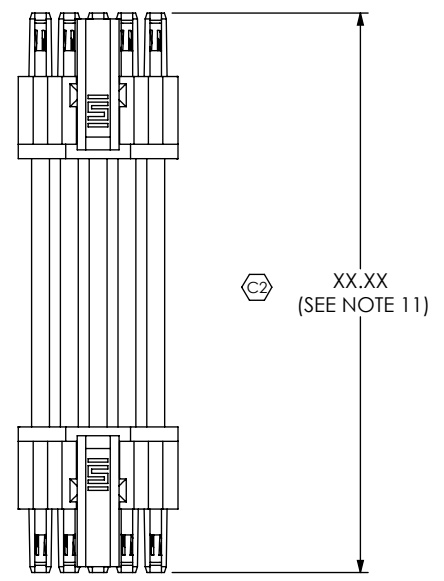
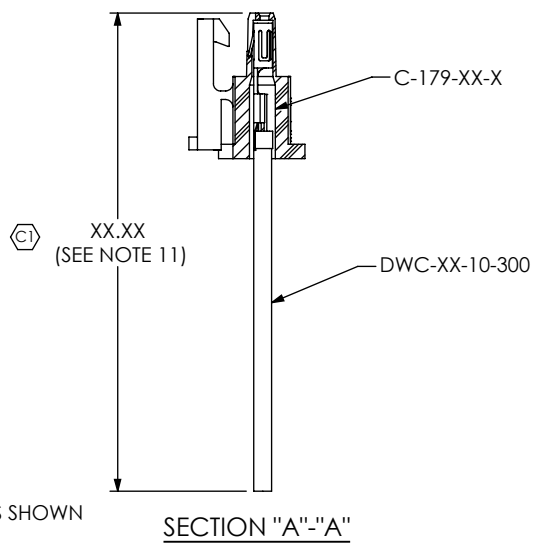
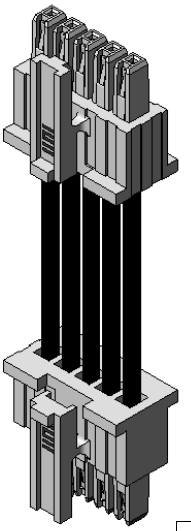


FIG. 1  
MMSS-05-22-X-XX.XX-S SHOWN

FIG. 2  
MMSS-05-22-X-XX.XX-D-LUS SHOWN




**TABLE 1**

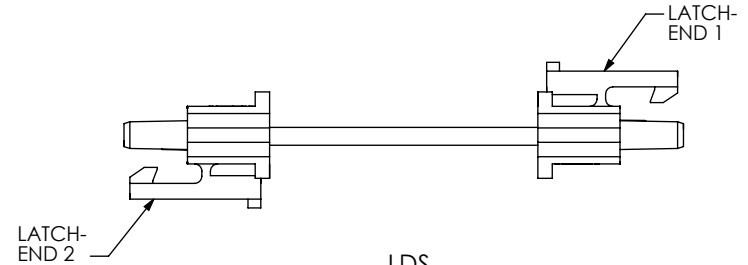
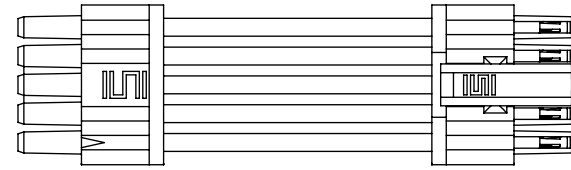
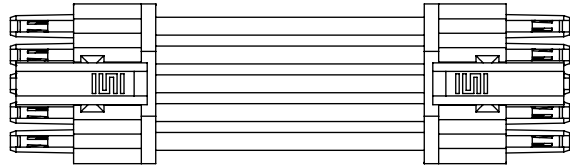
SERIES	WIRE GAUGE	CABLE	CONTACT
MMSS	20 AWG	DWC-20-XX-300	C-179-03-X
MMSS	22 AWG	DWC-22-XX-300	C-179-03-X
MMSS	24 AWG	DWC-24-XX-300	C-179-03-X
MMSS	26 AWG	DWC-26-XX-300	C-179-02-X
MMSS	28 AWG	DWC-28-XX-300	C-179-02-X
MMSS	30 AWG	DWC-30-XX-300	C-179-02-X
* MMSST	24AWG	DWCT-24-XX	C-179-03-X
* MMSST	28AWG	DWCT-28-XX	C-179-02-X
* MMSST	30AWG	DWCT-30-XX	C-179-02-X

**TABLE 2**

**MMSS COLOR CODED WIRE SEQUENCE**

PIN#	COLOR									
	BROWN	RED	ORANGE	YELLOW	GREEN	BLUE	VIOLET	GRAY	WHITE	BLACK
	1	2	3	4	5	6	7	8	9	10

UNLESS OTHERWISE SPECIFIED, DIMENSIONS ARE IN INCHES. TOLERANCES ARE: DECIMALS ANGLES .XX: ±.01 [0.3] 2° .XXX: ±.005 [0.13] .XXXX: ±.0020 [0.051]	<b>PROPRIETARY NOTE</b> THIS DOCUMENT CONTAINS INFORMATION CONFIDENTIAL AND PROPRIETARY TO SAMTEC, INC. AND SHALL NOT BE REPRODUCED OR TRANSFERRED TO OTHER DOCUMENTS OR DISCLOSED TO OTHERS OR USED FOR ANY PURPOSE OTHER THAN THAT WHICH IT WAS OBTAINED WITHOUT THE EXPRESSED WRITTEN CONSENT OF SAMTEC, INC.	 520 PARK EAST BLVD, NEW ALBANY, IN 47150 PHONE: 812-944-6733 FAX: 812-948-5047 e-Mail: info@SAMTEC.com code: 55322	
		<b>MATERIAL:</b> DO NOT SCALE DRAWING SHEET SCALE: 1.5:1 HOUSING: NYLON 6/6, COLOR: WHITE CONTACT: PHOS BRONZE CABLE: INSULATION: SEE CALLOUT WIRE: TINNED COPPER	DESCRIPTION: .100[2.54] SOCKET DISCREET CABLE ASSEMBLY DWG. NO. <b>MMSSX-XX-XXX-X-XX.XX-X-X-XXX</b> BY: DEAN P 05/03/2005 SHEET 1 OF 2

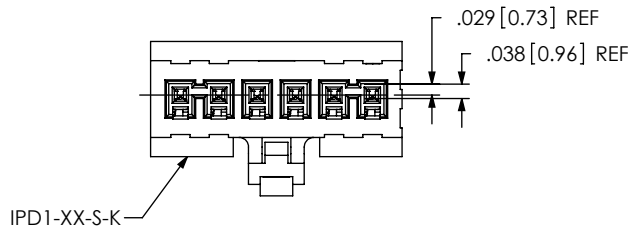


-LUS  
[LATCH UP- CABLE STRAIGHT]

-LDS  
[LATCH DOWN- CABLE STRAIGHT]

FIG. 3

-K: KEYED POLARIZATION  
(MMSSX-06-XX-X-XX.XX-X-K-XXX SHOWN)  
(SAME AS FIG. 1, UNLESS OTHERWISE STATED)



PROPRIETARY NOTE

THIS DOCUMENT CONTAINS INFORMATION CONFIDENTIAL AND PROPRIETARY TO SAMTEC, INC. AND SHALL NOT BE REPRODUCED OR TRANSFERRED TO OTHER DOCUMENTS OR DISCLOSED TO OTHERS OR USED FOR ANY PURPOSE OTHER THAN THAT WHICH IT WAS OBTAINED WITHOUT THE EXPRESSED WRITTEN CONSENT OF SAMTEC, INC.

DO NOT SCALE DRAWING

SHEET SCALE: 1.5:1



520 PARK EAST BLVD, NEW ALBANY, IN 47150  
PHONE: 812-944-6733 FAX: 812-948-5047  
e-Mail: info@SAMTEC.com code: 55322

DESCRIPTION:  
.100[2.54] SOCKET DISCREET CABLE ASSEMBLY

DWG. NO.  
MMSSX-XX-XXX-X-XX.XX-X-X-XXX

BY: DEAN P 05/03/2005 SHEET 2 OF 2