

PCMCIA HEADER

SPECIFICATIONS

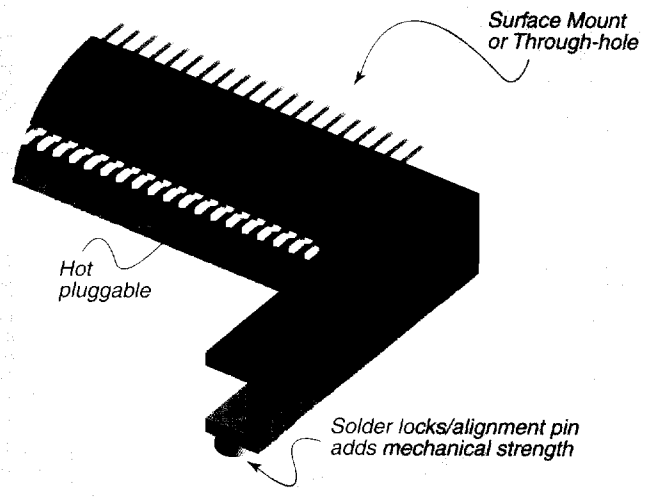
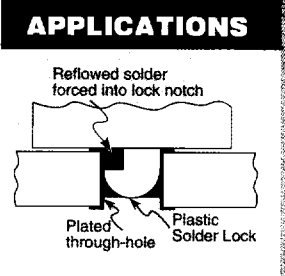
Materials:
Insulator Material: Black Liquid Crystal Polymer
Terminal Material: Phosphor Bronze
Current Rating: 2A @ 80°C ambient
Operating Temp Range: -65°C to +105°C with Tin; -65°C to +125°C with Gold
Plating: Sn or Au over 50µ" (1.27µm) Ni

Note: Some lengths, styles and options are non-standard, non-returnable.

Processing:
Max Processing Temp: 230°C for 60 seconds
SMT Lead Coplanarity: (0,15mm) .006" max
Suggested PCB Layouts: Your specific layout may vary

Note: Pinout is not to PCMCIA specifications

Mates with:
PCMS



Specify LEAD STYLE from chart

- L =10µ" (0,25µm) Gold on post 75µ" (1,90µm) Tin on tail
- S =30µ" (0,76µm) Gold on post 75µ" (1,90µm) Tin on tail

- RA =Right Angle
- DH =Surface Mount

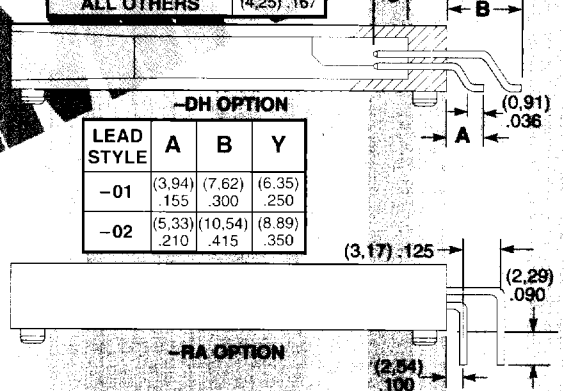
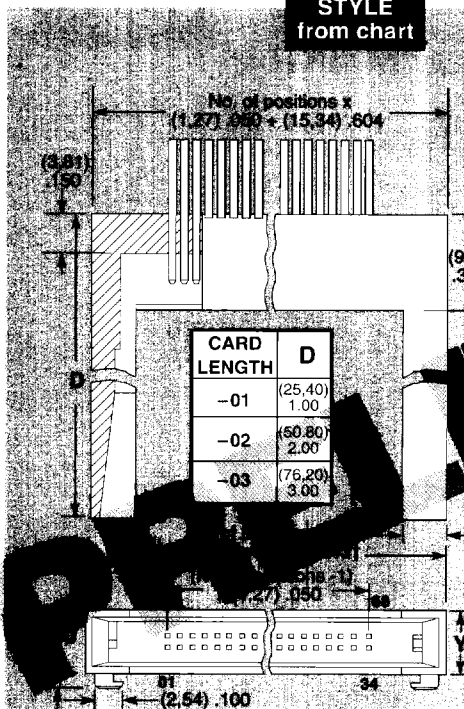
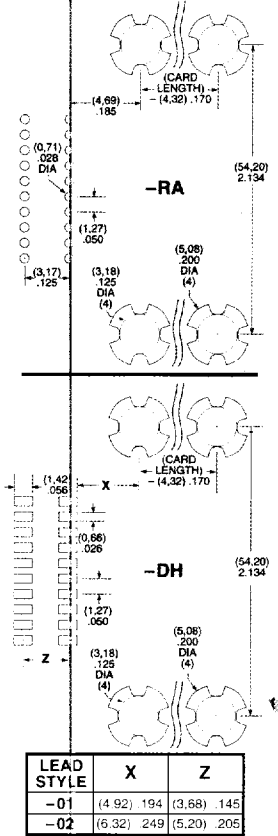
- 01 = (25,40mm) 1.00" Card Length
- 02 = (50,80mm) 2.00" Card Length
- 03 = (76,20mm) 3.00" Card Length

POSITION NUMBER	C (POST)
01, 17, 34, 35, 51, 68	5,000 .197
36, 37	(3,50) .138
ALL OTHERS	(4,25) .167

CARD LENGTH	D
-01	(25,40) 1.00
-02	(50,80) 2.00
-03	(76,20) 3.00

-DH OPTION

LEAD STYLE	A	B	Y
-01	(3,94) .155	(7,62) .300	(6,35) .250
-02	(5,33) .210	(10,54) .415	(8,89) .350



LEAD STYLE	X	Z
-01	(4,92) .194	(3,68) .145
-02	(6,32) .249	(5,20) .205