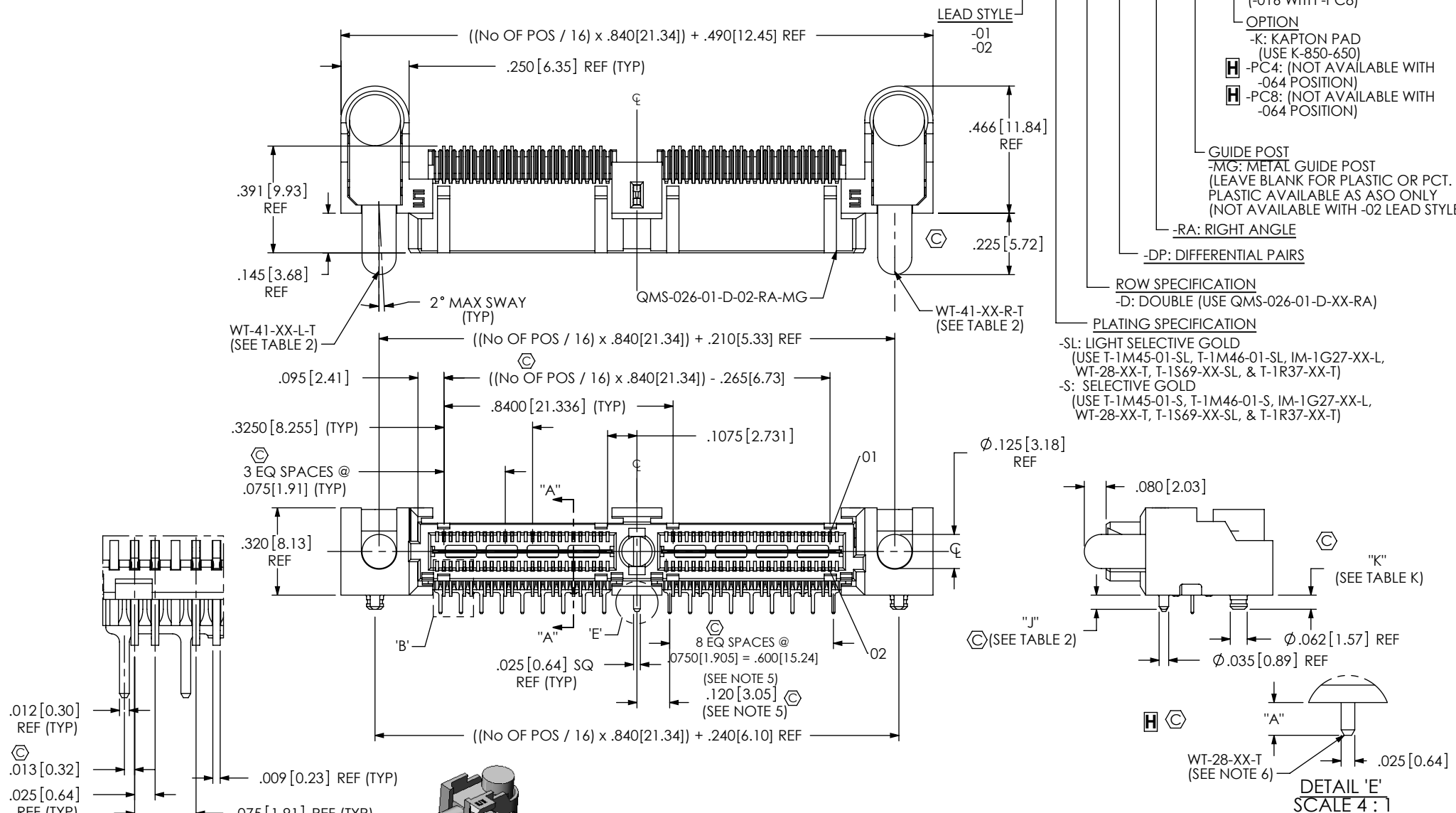


FIG. 1  
(QMS-032-01-XX-D-DP-RA-MG SHOWN)



**No OF POSITIONS**  
-016, -032, -048, -064 (PER ROW)

**LEAD STYLE**  
-01  
-02

**PACKAGING OPTION**  
-TR: TAPE & REEL PACKAGING (-016 & -032 WITH NO OPTIONS) (-016 & -032 WITH -PC4) (-016 WITH -PC8)

**OPTION**  
-K: KAPTON PAD (USE K-850-650)  
H -PC4: (NOT AVAILABLE WITH -064 POSITION)  
H -PC8: (NOT AVAILABLE WITH -064 POSITION)

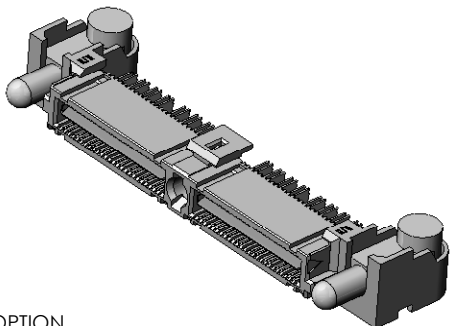
**GUIDE POST**  
-MG: METAL GUIDE POST (LEAVE BLANK FOR PLASTIC OR PCT. PLASTIC AVAILABLE AS ASO ONLY (NOT AVAILABLE WITH -02 LEAD STYLE)

**-RA: RIGHT ANGLE**  
**-DP: DIFFERENTIAL PAIRS**

**ROW SPECIFICATION**  
-D: DOUBLE (USE QMS-026-01-D-XX-RA)

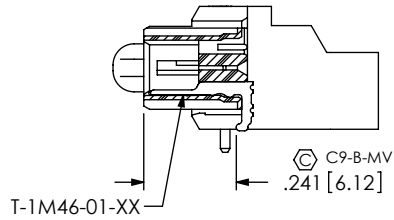
**PLATING SPECIFICATION**  
-SL: LIGHT SELECTIVE GOLD (USE T-1M45-01-SL, T-1M46-01-SL, IM-1G27-XX-L, WT-28-XX-T, T-1S69-XX-SL, & T-1R37-XX-T)  
-S: SELECTIVE GOLD (USE T-1M45-01-S, T-1M46-01-S, IM-1G27-XX-L, WT-28-XX-T, T-1S69-XX-SL, & T-1R37-XX-T)

- NOTES:
- ⊗ REPRESENTS A CRITICAL DIMENSION.
  - BURR ALLOWANCE: .0010 [0.02] MAX.
  - MINIMUM PUSHOUT FORCE: SIGNAL: .5 LB, [2.22N], GROUND AND COUNTERWEIGHT: 1 LB. [4.45N]
  - PARTS TO BE PACKAGED IN TRAYS AS STANDARD.
  - DOES NOT APPLY TO 1 BANK.
  - WT-28-XX-T NOT PRESENT ON SINGLE BANK WITH -MG OPTION.

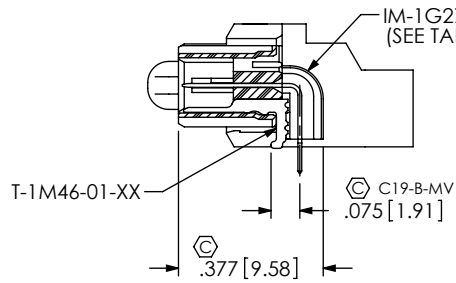


<p>UNLESS OTHERWISE SPECIFIED, DIMENSIONS ARE IN INCHES.</p> <p>TOLERANCES ARE:</p> <p>DECIMALS ANGLES</p> <p>.XX: ±.01 [.3] 2°</p> <p>.XXX: ±.005 [.13]</p> <p>.XXXX: ±.0020 [.051]</p>	<p>PROPRIETARY NOTE</p> <p>THIS DOCUMENT CONTAINS INFORMATION CONFIDENTIAL AND PROPRIETARY TO SAMTEC, INC. AND SHALL NOT BE REPRODUCED OR TRANSFERRED TO OTHER DOCUMENTS OR DISCLOSED TO OTHERS OR USED FOR ANY PURPOSE OTHER THAN THAT WHICH IT WAS OBTAINED WITHOUT THE EXPRESSED WRITTEN CONSENT OF SAMTEC, INC.</p>	<p>520 PARK EAST BLVD, NEW ALBANY, IN 47150 PHONE: 812-944-6733 FAX: 812-948-5047 e-Mail: info@SAMTEC.com code: 55322</p>

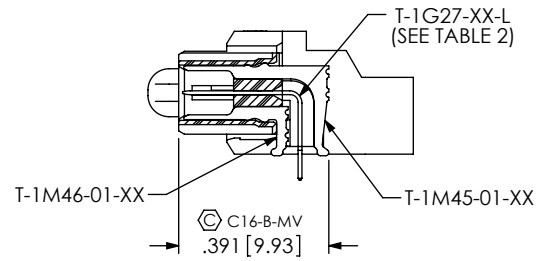
REVISION H



IN-PROCESS 1

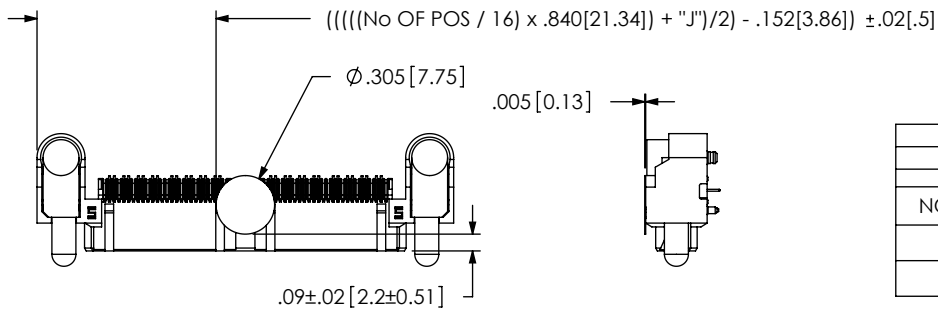


IN-PROCESS 2

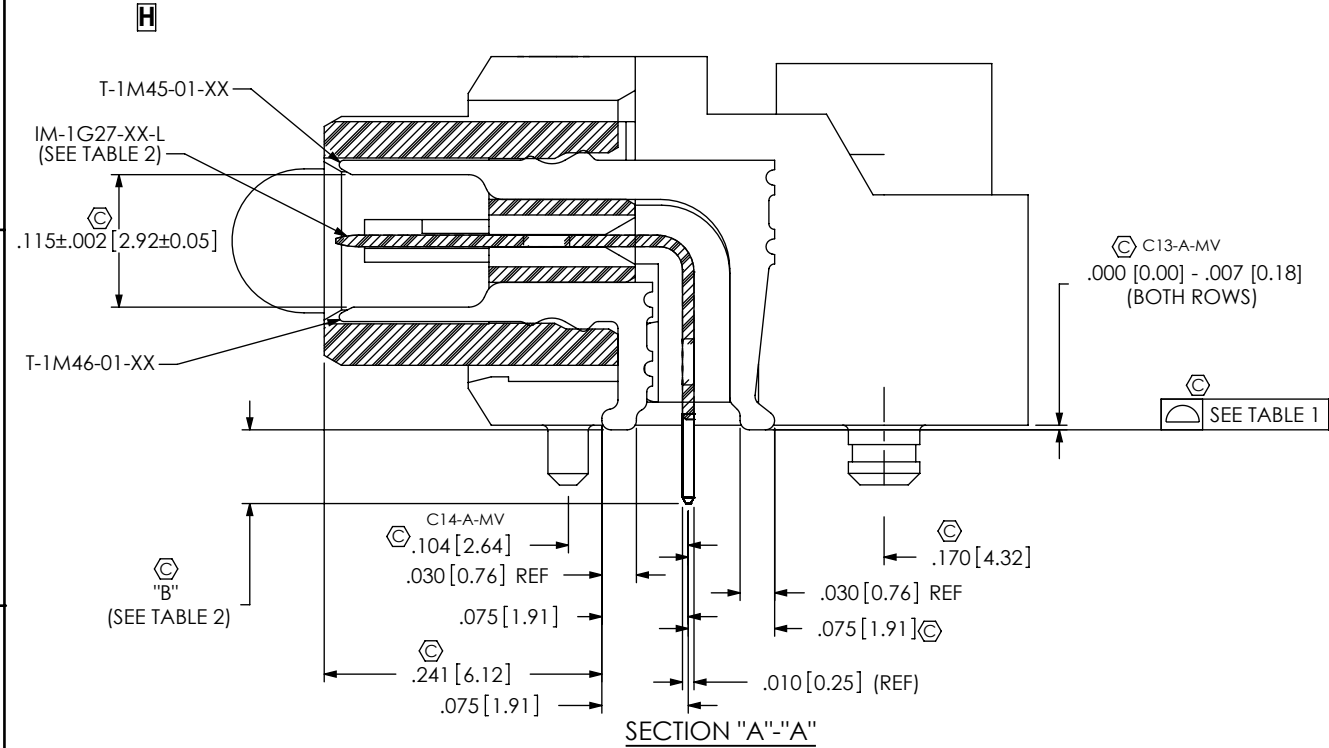


IN-PROCESS 3

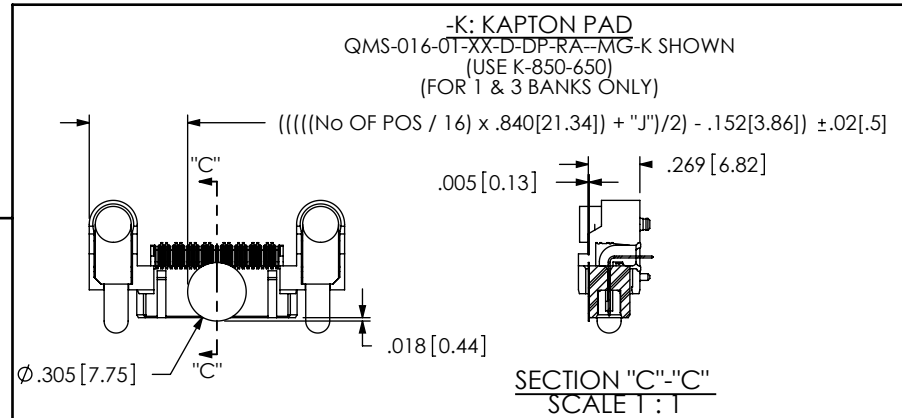
-K: KAPTON PAD  
QMS-032-01-XX-D-DP-RA-MG-K SHOWN  
(USE K-850-650)  
(FOR 2 & 4 BANKS ONLY)



LEAD STYLE	"A"	"B"	"C"	"J"	"K"	WT-28-XX-T	IM-1G27-XX-L	T-1R37-XX-T	WT-41-XX-XX
-01	.060[1.52]	.064[1.63]	.055[1.40]	.052[1.38]	.052[1.32]	WT-28-01-T	IM-1G27-01-L	T-1R37-01-T	WT-41-01-XX
-02	.098[2.49]	.095[2.41]	.086[2.18]	.091[2.31]	.083[2.11]	WT-28-02-T	IM-1G27-02-L	T-1R37-02-T	WT-41-01-XX



No OF POSITIONS	COPLANARITY
-016 & -032	.004[0.10]
-048 & -064	.006[0.15]



OPTION	"J"
NONE, -MGP	.490 [12.45]
-PC4	1.016 [25.81]
-PC8	1.331 [33.81]

PROPRIETARY NOTE  
THIS DOCUMENT CONTAINS INFORMATION  
CONFIDENTIAL AND PROPRIETARY TO  
SAMTEC, INC. AND SHALL NOT BE REPRODUCED  
OR TRANSFERRED TO OTHER DOCUMENTS OR  
DISCLOSED TO OTHERS OR USED FOR ANY  
PURPOSE OTHER THAN THAT WHICH IT WAS  
OBTAINED WITHOUT THE EXPRESSED WRITTEN  
CONSENT OF SAMTEC, INC.

DO NOT SCALE DRAWING  
SHEET SCALE: 1:0.166667

**samtec**

520 PARK EAST BLVD, NEW ALBANY, IN 47150  
PHONE: 812-944-6733 FAX: 812-948-5047  
e-Mail: info@SAMTEC.com code: 55322

DESCRIPTION:  
.635mm RA DIFFERENTIAL PAIRS PLUG ASSEMBLY  
DWG. NO.  
QMS-XXX-XX-XX-D-DP-RA-XX-XXX-XX

BY: BRATCHER 01/04/2007 SHEET 2 OF 4

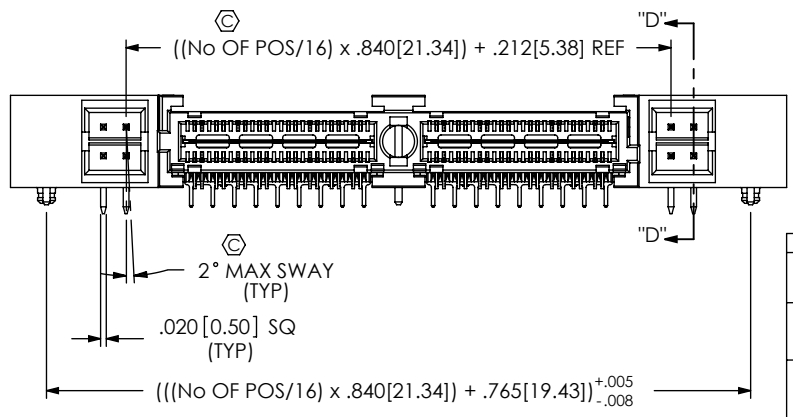
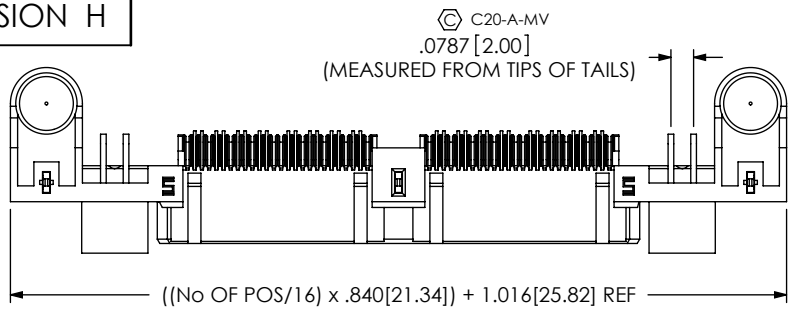


FIG. 2  
(QMS-032-01-XX-D-DP-RA-PC4 SHOWN)  
(SAME AS FIG. 1, DIFFERENT AS SHOWN)

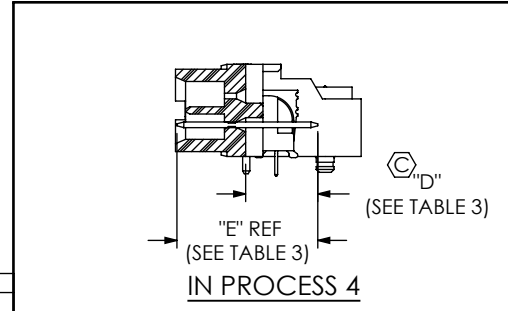
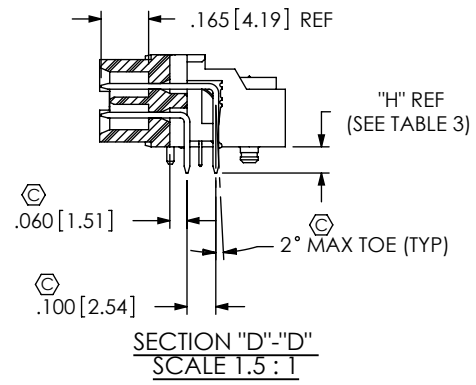
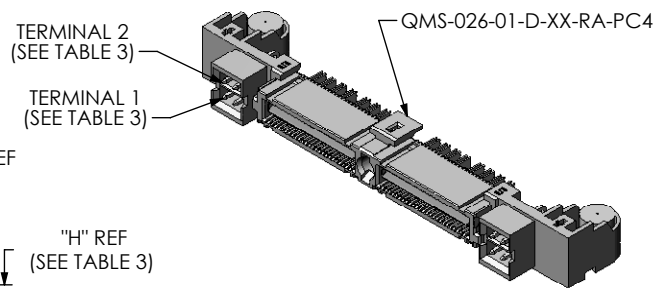


TABLE 3

LEAD STYLE	TERMINAL 1	TERMINAL 2	"D"	"E"	"F"	"G"	"H"
-01	T-1S69-01-XX	T-1S69-02-XX	.250 [6.35]	.489 [12.42]	.450 [11.43]	.689 [17.50]	.091 [2.31]
-02	T-1S69-03-XX	T-1S69-04-XX	.281 [7.13]	.520 [13.20]	.481 [12.22]	.720 [18.29]	.122 [3.10]

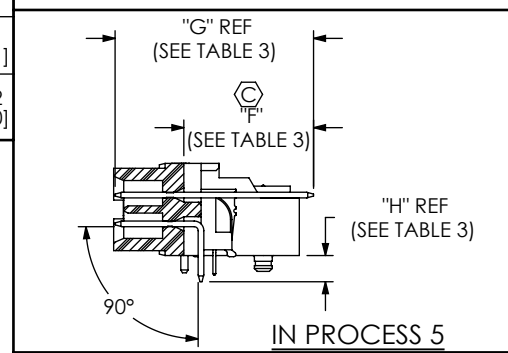
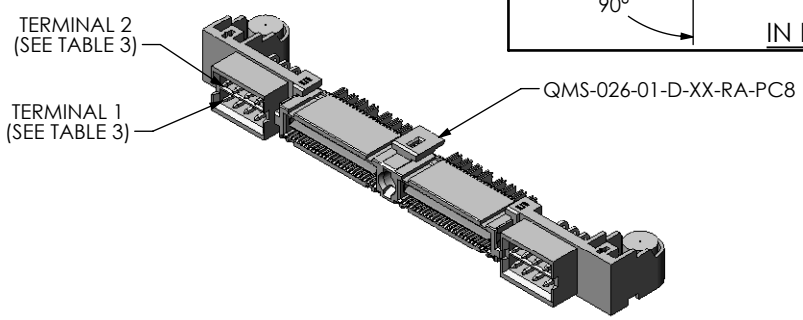
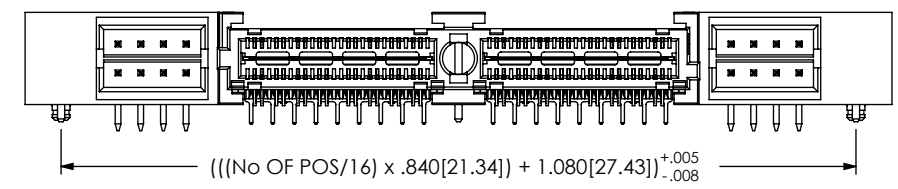
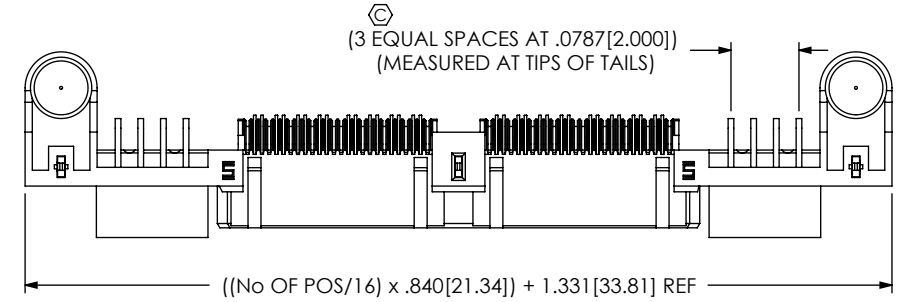


FIG. 3  
(QMS-032-01-XX-D-DP-RA-PC8 SHOWN)  
(SAME AS FIG. 2, DIFFERENT AS SHOWN)



PROPRIETARY NOTE  
THIS DOCUMENT CONTAINS INFORMATION CONFIDENTIAL AND PROPRIETARY TO SAMTEC, INC. AND SHALL NOT BE REPRODUCED OR TRANSFERRED TO OTHER DOCUMENTS OR DISCLOSED TO OTHERS OR USED FOR ANY PURPOSE OTHER THAN THAT WHICH IT WAS OBTAINED WITHOUT THE EXPRESSED WRITTEN CONSENT OF SAMTEC, INC.

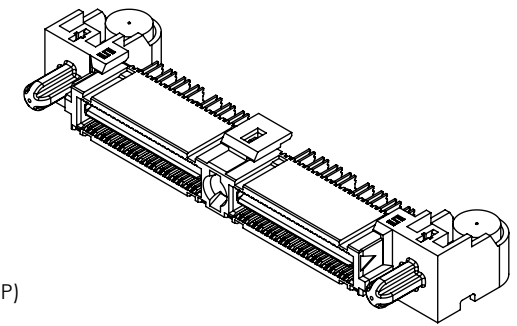
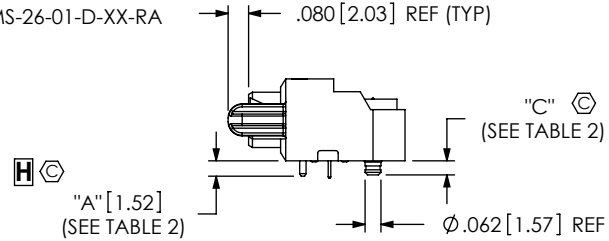
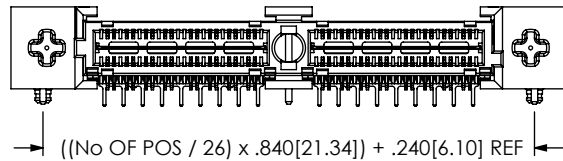
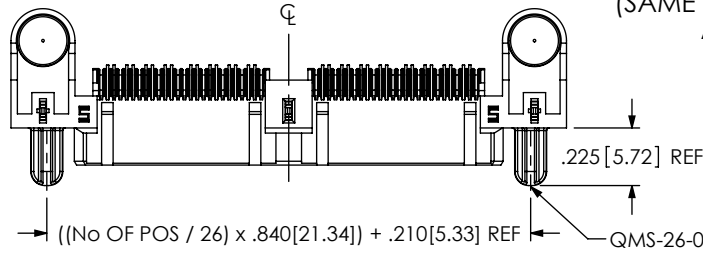


520 PARK EAST BLVD. NEW ALBANY, IN 47150  
PHONE: 812-944-6733 FAX: 812-948-5047  
e-Mail: info@SAMTEC.com code: 55322

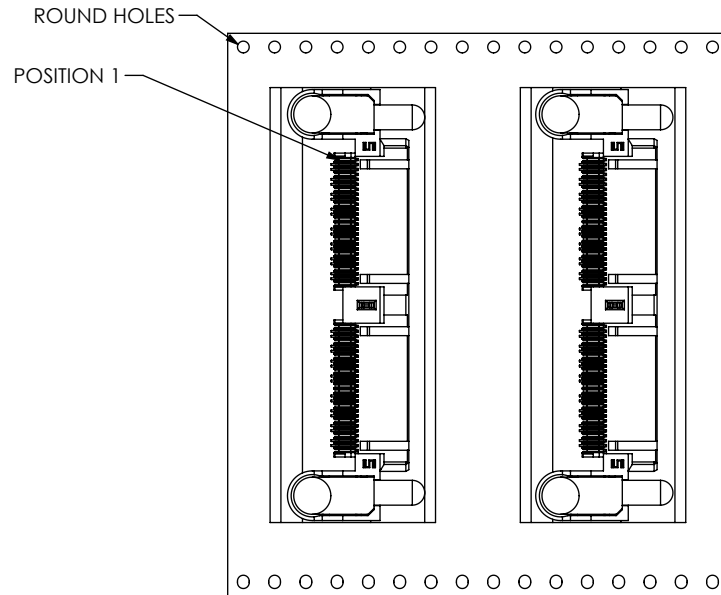
DO NOT SCALE DRAWING  
SHEET SCALE: 2:1

DESCRIPTION:  
.635mm RA DIFFERENTIAL PAIRS PLUG ASSEMBLY  
DWG. NO.  
QMS-XXX-XX-XX-D-DP-RA-XX-XXX-XX  
BY: BRATCHER 01/04/2007 SHEET 3 OF 4

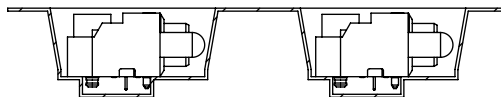
FIG.4  
 (QMS-032-01-XX-D-DP-RA SHOWN)  
 (SAME AS FIG.1, DIFFERENT AS SHOWN)  
 AVAILABLE AS ASO ONLY



PACKAGING VIEW  
 -TR: TAPE & REEL OPTION  
 (QMS-032-01-XX-D-DP-RA-MG-TR SHOWN)



USER DIRECTION OF UN-REELING →  
 POCKET NOT DETAILED



**PROPRIETARY NOTE**  
 THIS DOCUMENT CONTAINS INFORMATION CONFIDENTIAL AND PROPRIETARY TO SAMTEC, INC. AND SHALL NOT BE REPRODUCED OR TRANSFERRED TO OTHER DOCUMENTS OR DISCLOSED TO OTHERS OR USED FOR ANY PURPOSE OTHER THAN THAT WHICH IT WAS OBTAINED WITHOUT THE EXPRESSED WRITTEN CONSENT OF SAMTEC, INC.

DO NOT SCALE DRAWING  
 SHEET SCALE: 2:1



520 PARK EAST BLVD, NEW ALBANY, IN 47150  
 PHONE: 812-944-6733 FAX: 812-948-5047  
 e-Mail: info@SAMTEC.com code: 55322

DESCRIPTION:  
 .635mm RA DIFFERENTIAL PAIRS PLUG ASSEMBLY

DWG. NO.  
 QMS-XXX-XX-XX-D-DP-RA-XX-XXX-XX

BY: BRATCHER 01/04/2007 SHEET 4 OF 4