

**SPECIFICATIONS**

**Mechanical**

**Durability:** 12000 Cycles  
**Insertion Force:** 2kg max.

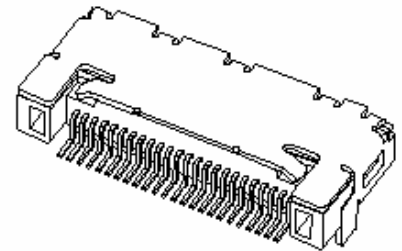
**Electrical**

**Voltage Rating:** 100V AC  
**Current Rating:** 0.5A  
**Contact Resistance:** 50mΩ max.  
**Dielectric Withstanding Voltage:** 350V AC/1 min.  
**Insulation Resistance:** 1000MΩ

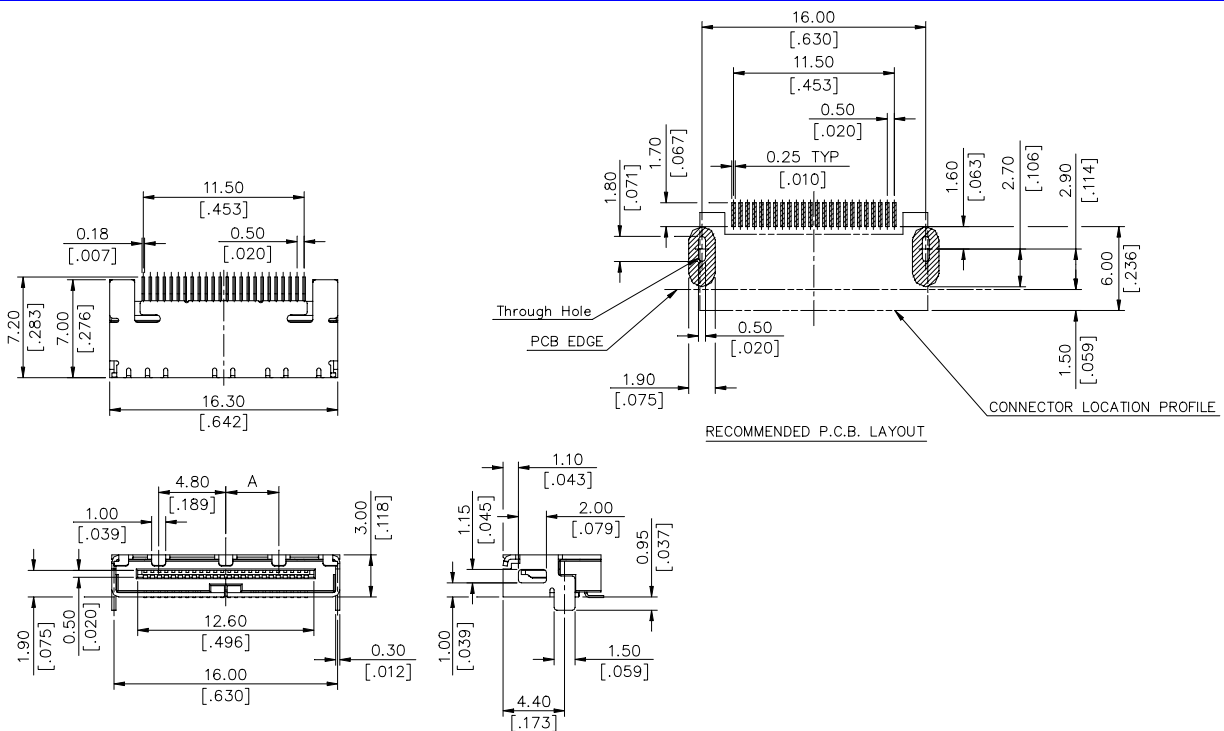
**Physical**

**Housing:** Thermoplastic, UL 94V-0 rated in Black Color  
**Contact:** Copper alloy  
**Plating:** See "ORDERING INFORMATION"  
**Shell:** Stainless steel  
**Operating Temperature:** -30°C to +80°C

**QS Series**  
**Receptacle, SMT Type**  
**0.50mm [.020"] Pitch**  
**24 Pos.**



**DRAWING**



**ORDERING INFORMATION**

PRODUCT NO.: QS 1 0 24 7 - F\*\* - \*\*

I/O Connector ———— QS  
Termination Type ———— 1  
1=Receptacle  
Coaxial Design Type ———— 0  
0=W/O Coaxial  
Package Type and Lead Free Code ———— F\*\*  
TR=Tape and Reel  
7F=Tape and Reel, Lead Free  
Extension Code ———— \*\*  
Contact Plating ————  
7=15μ Gold Plating  
No. of Pos. ————  
24=24 Pos.

QS10247-F012-7F	3.8 [0.150]
QS10247-F11-TR	4.8 [0.189]
P/N	DIM. A