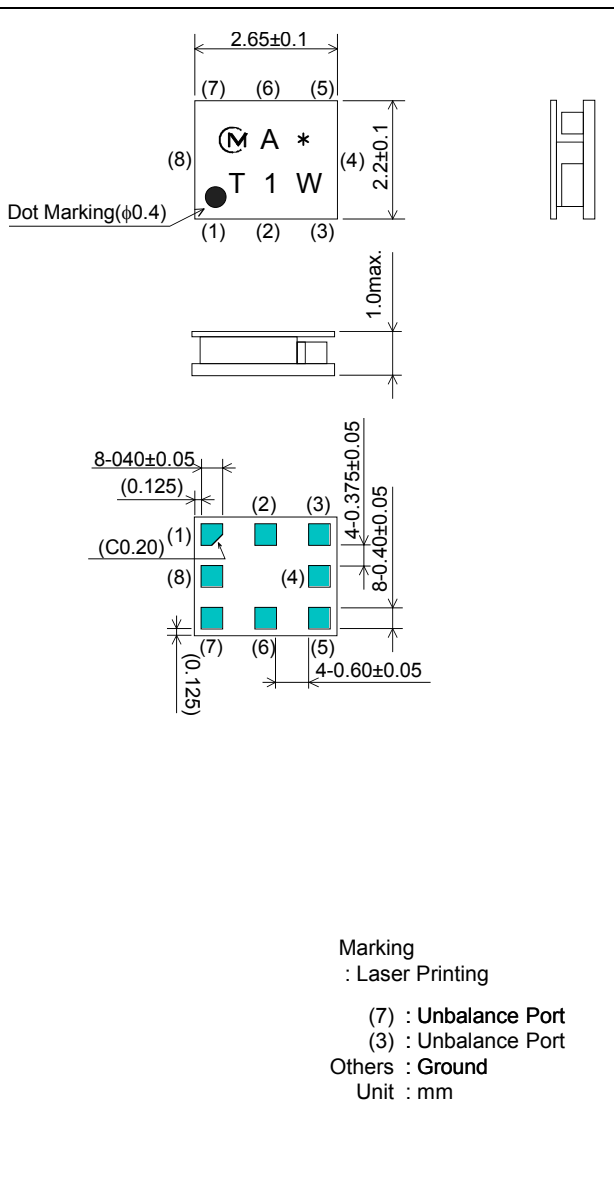


SAW REJECTION FILTER FOR ISDB-T (1seg)

Murata part number : SAEHD832MWA0B00

Package Dimensions



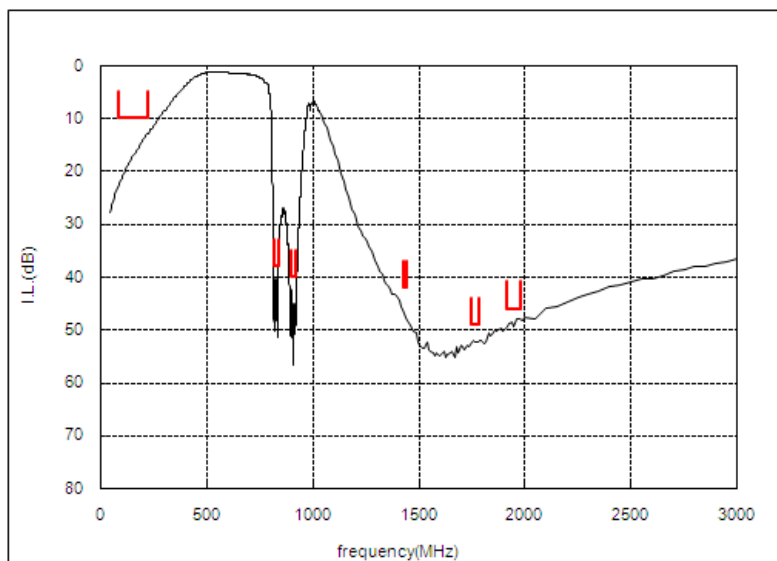
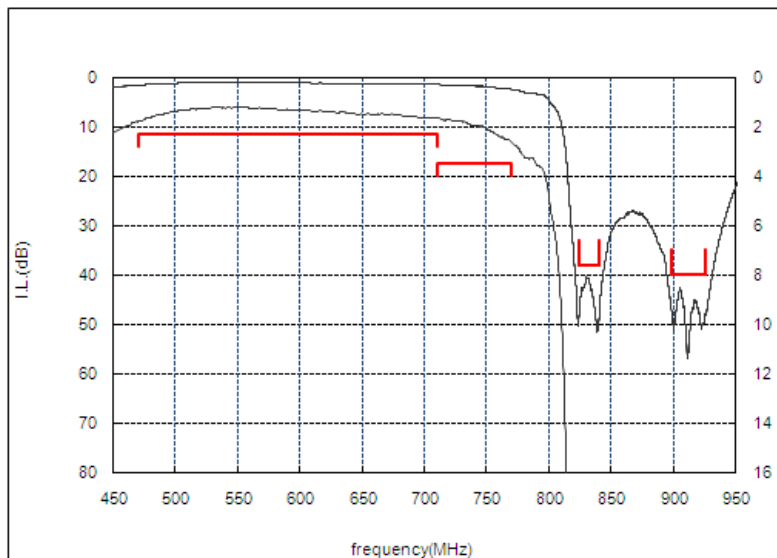
Specification

Item	Specification		
	-30 to 85°C	25±2°C	typ.
Nominal Center Frequency(fc)	832MHz 911.5 MHz		
Insertion Loss			
1) 90 to 222 MHz	10 dB min.	11 dB min.	13.1 dB
2) 470 to 710 MHz	2.3 dB max.	2 dB max.	1.75 dB
3) 710 to 770 MHz	3.5 dB max.	3 dB max.	2.82 dB
4) 824 to 840 MHz	38 dB min.	40 dB min.	42.0 dB
5) 898 to 925 MHz	40 dB min.	41 dB min.	43.5 dB
6) 1427.9 to 1447.9 MHz	42 dB min.	43 dB min.	48.5 dB
7) 1749.9 to 1784.9 MHz	49 dB min.	50 dB min.	58.1 dB
8) 1920 to 1980 MHz	46 dB min.	47 dB min.	53.2 dB
Unbalance Port Impedance (nominal)	50Ω		
Input Signal Level	251mW(+24dBm), 50000hours		

SAW REJECTION FILTER FOR ISDB-T (1seg)

Murata part number : SAEHD832MWA0B00

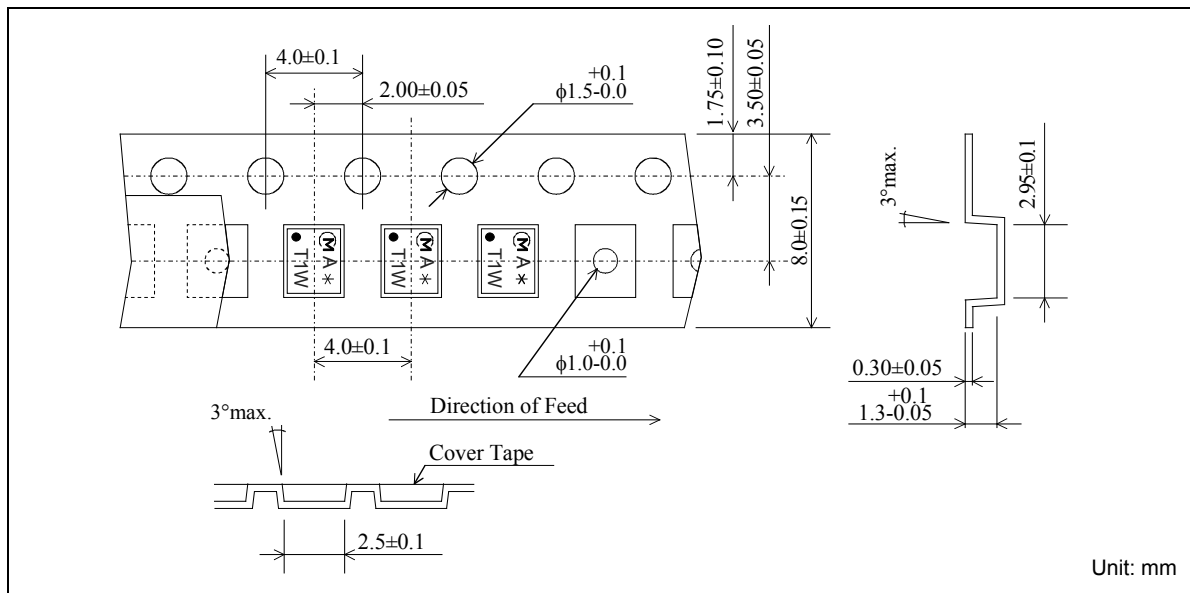
Frequency Performance



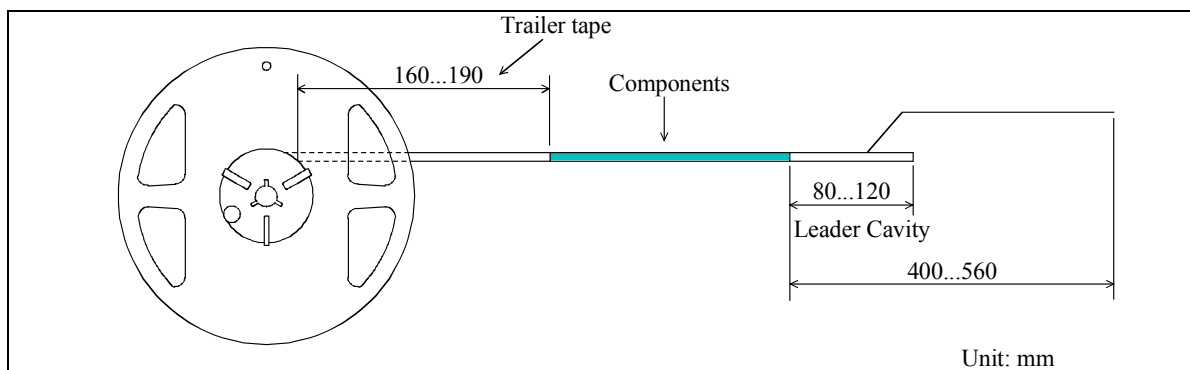
SAW REJECTION FILTER FOR ISDB-T (1seg)

Murata part number : SAEHD832MWA0B00

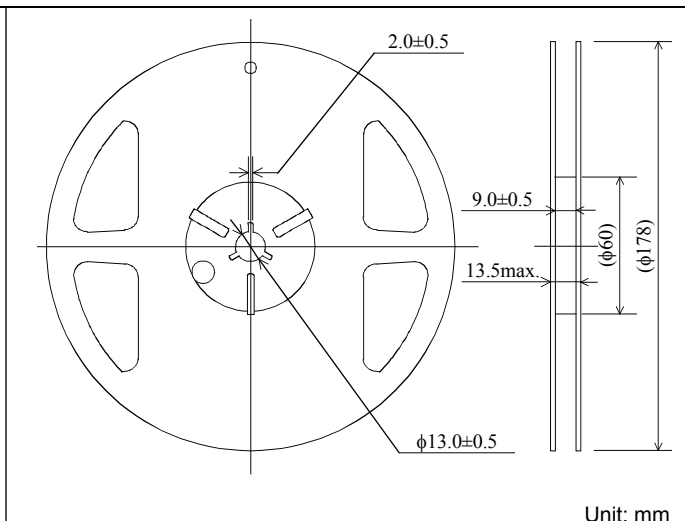
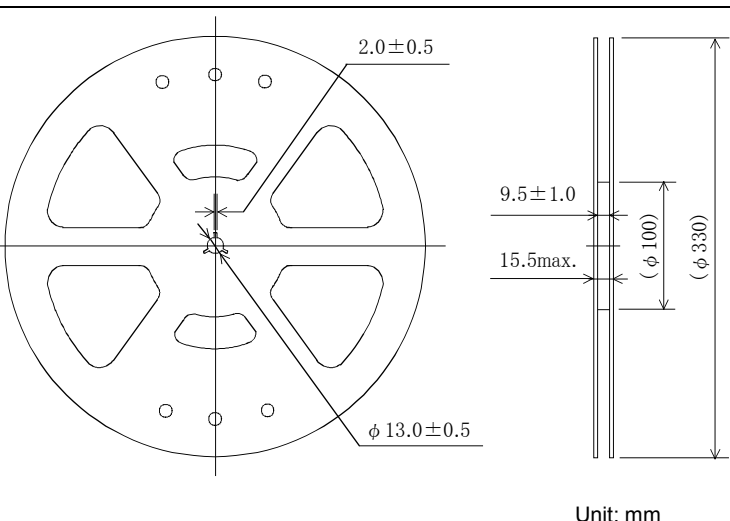
Dimensions of Carrier Tape



Dimensions of Tape



Dimensions of Reel



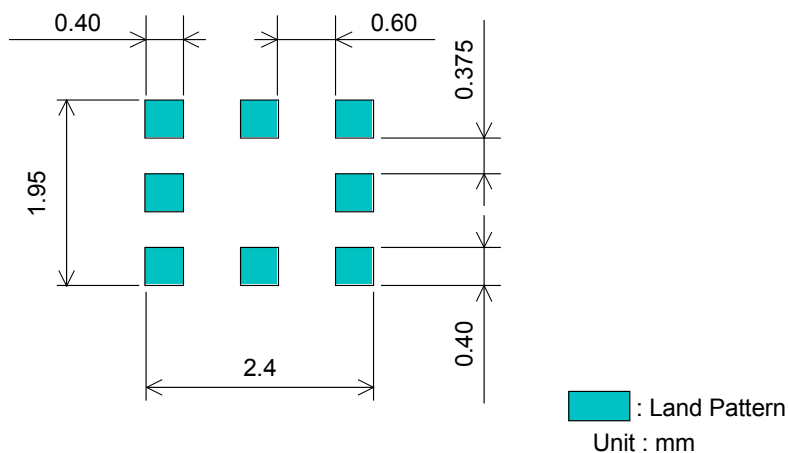
SAEHD832MWA0B00R05 ... 5000pcs/reel
SAEHD832MWA0B00R00 ... 10000pcs/reel

SAEHD832MWA0B00R12 ... 2000pcs/reel

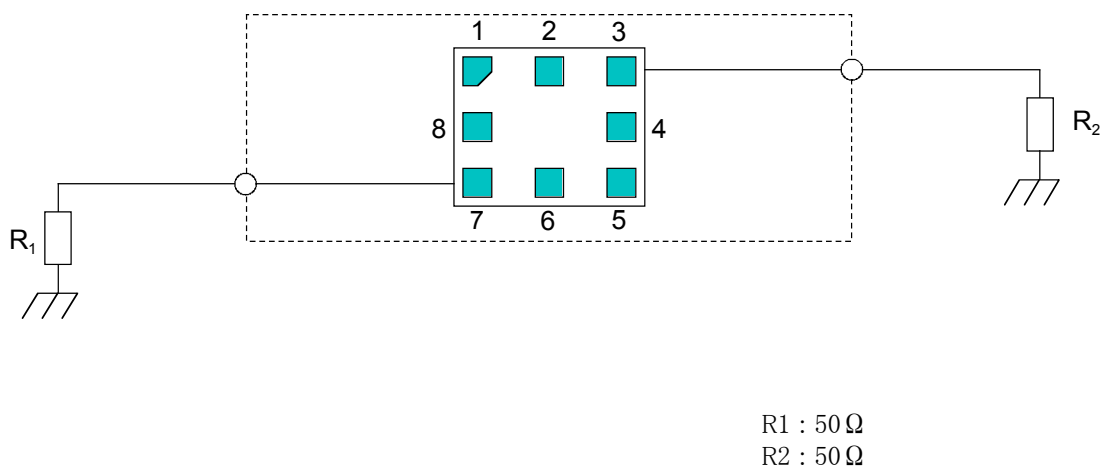
SAW REJECTION FILTER FOR ISDB-T (1seg)

Murata part number : SAEHD832MWA0B00

Recommended Land Pattern



Test Circuit



- This PDF Datasheet is downloaded from the website of Murata Manufacturing Co., Ltd. Therefore, it's specifications are subject to change or our products in it may be discontinued without advance notice. Please check with our sales representatives or product engineers before ordering.
- This PDF Datasheet has only typical specifications because there is no space for detailed specifications. Therefore, please approve our product specifications or transact the approval sheet for product specifications before ordering.