

HIGH FREQUENCY MAGNETICS

T1/E1/J1 Mini-Octal Choke Module

TM02131

- Optimized for T1/E1/J1 line interface applications
- Eight 2-line chokes in one surface mount package
- Miniature octal package provides a 33% area reduction compared with standard octal package
- Common mode attenuation peak centered at 24th harmonic of T1 and E1 clock frequencies
- Maximum continuous AC current rating: 110 mA
- Companion to all Bel T1/E1/J1 octal transformer modules
- Operating temperature range -40° to +85°C
- Meets IEC 695, 2-2 flammability requirements
- PWB Process Capability: standard printed wiring board assembly techniques, total-immersion cleaning
- Reliability testing: Shock, vibration, temperature cycling, temperature - humidity - bias
- Interwinding breakdown voltage: 1500 Vrms min
- UL 1950 approved: file number E150991

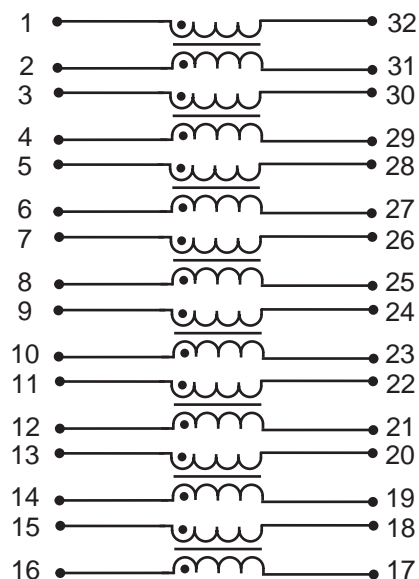
ELECTRICAL SPECIFICATIONS at 25° C

Part Number	Choke Configuration		Inductance at 100 kHz		DCR Ω max	Common Mode Attenuation ¹ dB typ						
	Lines/Choke	Chokes/Pkg	25° C μ H min	-40° C μ H min		1 MHz	10 MHz	30 MHz	50 MHz	100 MHz	300 MHz	500 MHz
S555-6400-26	2	8	75	47	0.45	26	41	45	46	42	32	24

1. Referenced to 50 Ω

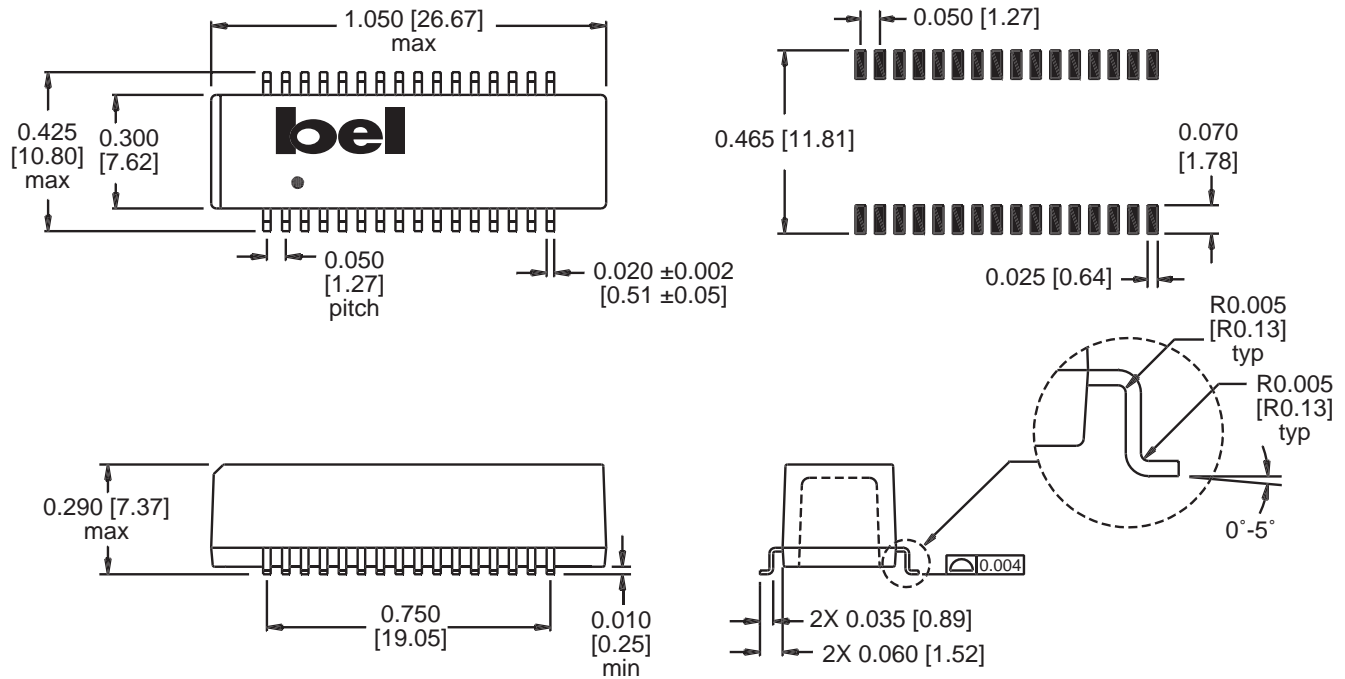
SCHEMATIC

S555-6400-26



MECHANICAL

S555-6400-26



Dimensions are in inches [millimeters].
Standard dimension tolerance is ± 0.005 [0.13] unless otherwise noted.

Tape and Reel Packaging

44 mm wide by 16 mm pitch; 13 inch OD, 4 inch ID
400 modules per reel, maximum
Meets ANSI/EIA 481-2 Carrier Tape Standards - JEDEC SO Package

CORPORATE

Bel Fuse Inc.
206 Van Vorst Street
Jersey City, NJ 07302
Tel 201-432-0463
Fax 201-432-9542
www.belfuse.com

FAR EAST

Bel Fuse Ltd.
8F / 8 Luk Hop Street
San Po Kong
Kowloon, Hong Kong
Tel 852-2328-5515
Fax 852-2352-3706
www.belfuse.com

EUROPE

Bel Fuse Europe Ltd.
Preston Technology Management Centre
Marsh Lane, Suite G7, Preston
Lancashire, PR1 8UD, U.K.
Tel 44-1772-556601
Fax 44-1772-888366
www.belfuse.com