

CIRCULATORS/ISOLATORS 1 TO 2 GHz

Preferred application: radio links and navigation, pcn

TYPE	DIMENSIONS Fig.	FREQUENCY RANGE MHz	MAXIMUM POWER	
			CW W	REFLECTED W
2722 162 03591	1	960 to 1225	100	
2722 162 08341	2	1200 to 1415	20	
2722 162 07511	3	1215 to 1400	250	
2722 162 08641	4	1230 to 1365	60	
2722 162 05331	5	1350 to 1700	10	
2722 162 05571	5	1350 to 2100		
06701	6			
2722 162 02492	2	1427 to 1535	10	
03802	1			
2722 162 08921	8	1930 to 1990	60	
VAO 1001	1	1450 to 1500	130	
VBN 1012A	8	1270 to 1400	120	
VFT 1015	5	1930 to 1990	50	
VAT 1019	5	1930 to 1990	50	
VFS 1021	5	1805 to 1880	50	
VAS 1024	5	1805 to 1880	50	
VLS 1027	5	1805 to 1880	40	
VBS 1028	5	1805 to 1880	50	
VGS 1029	5	1850 to 1910	1	
VBO 1030A	8	1450 to 1500	60	

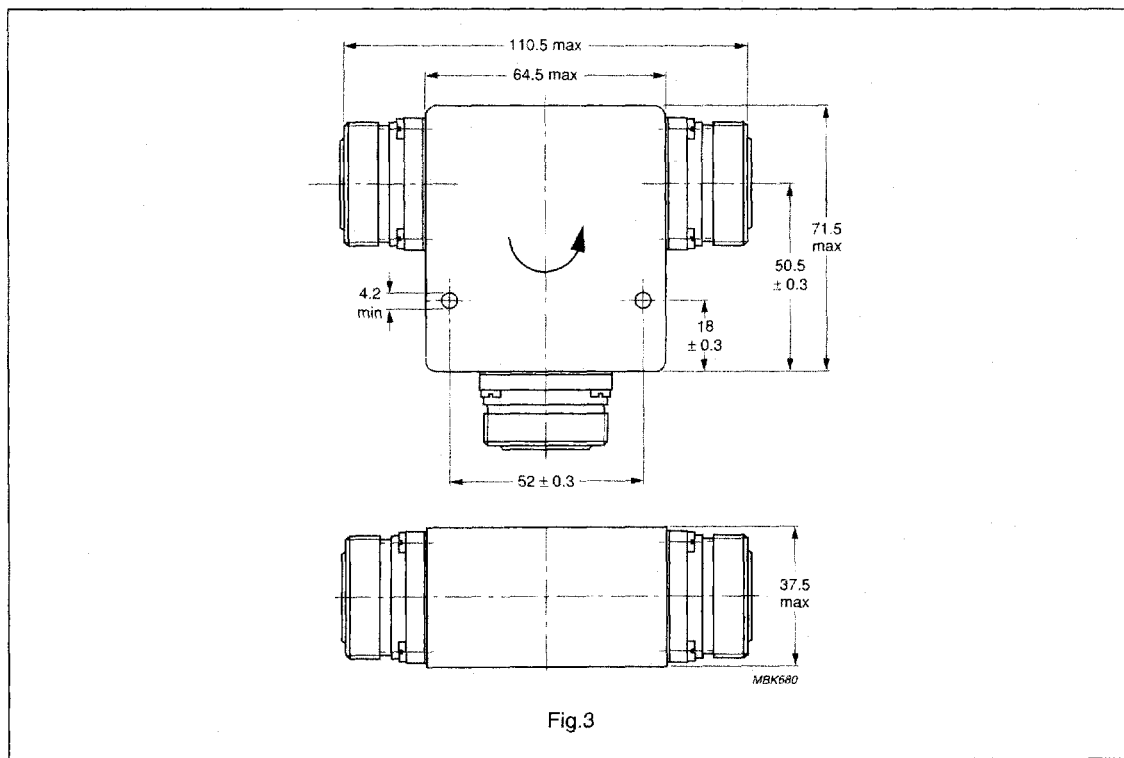
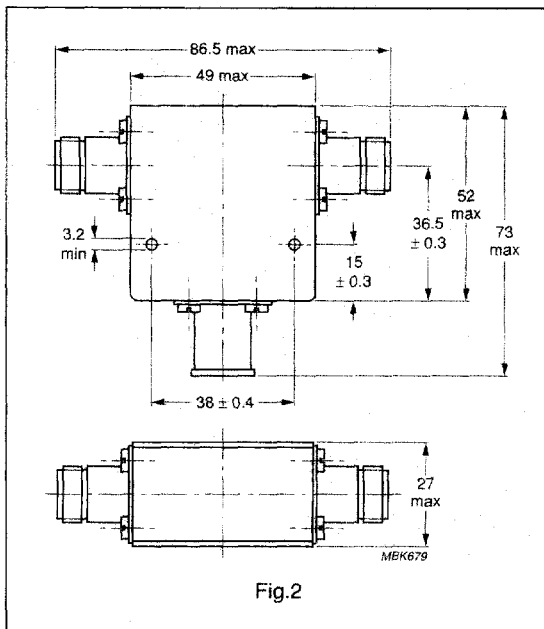
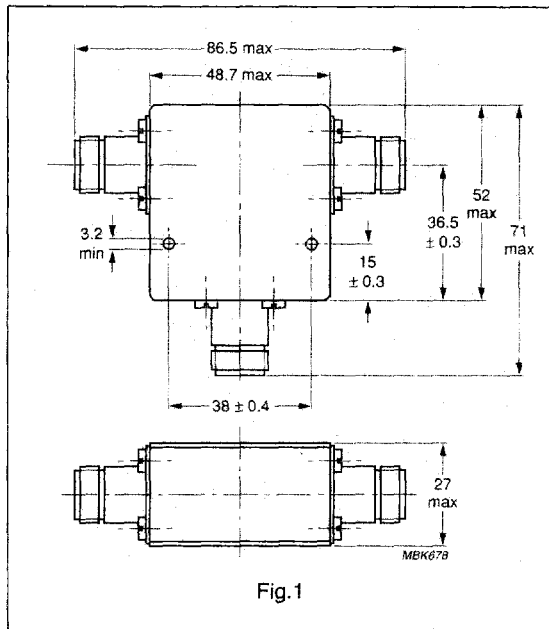
CIRCULATORS/ISOLATORS 1 TO 2 GHz

TYPE	ISOLATION		INSERTION LOSS		VSWR		TEMP. RANGE °C	CONNECTOR	MASS g
	MIN. dB	TYP. dB	MAX. dB	TYP. dB	MAX.	TYP.			
2722 162 03591	20	22	0,5	0,35	1,25	1,20	-10 to +60	N female	460
2722 162 08341	20		0,4		1,25		0 to +70	N female	400
2722 162 07511	19		0,3		1,25		0 to +50	HF 7/16 female	1200
2722 162 08641	20		0,4		1,25		0 to +55	SMA female, N female	180
2722 162 05331	20	23	0,4	0,3	1,2	1,15	0 to +45	SMA female	120
2722 162 05571 06701	17		0,5		1,35		-15 to +65	SMA female	120
2722 162 02492 03802	20	24	0,4	0,3	1,15	1,12	0 to +55	N female	400
2722 162 08921	≥ 50		≤ 0,5		≤ 1,25		-10 to +65	SMB, TNC	
VAO 1001	23		0,25		1,15		0 to +50	N	
VBN 1012A	20		0,40		1,25		-30 to +95	solder tabs	
VFT 1015	23		0,25		1,15		-10 to +55	N, SMA	
VAT 1019	23		0,25		1,15		-10 to +55	N, SMA	
VFS 1021	23		0,25		1,15		-10 to +55	N, SMA	
VAS 1024	23		0,25		1,15		-10 to +55	N, SMA	
VLS 1027	45		0,50		1,20		-	solder tabs	
VBS 1028	20		0,30		1,25		-	solder tabs	
VGS 1029	23		0,35		1,20		-	solder tabs	
VBO 1030A	23		0,30		1,15		-	solder tabs	

Note

1. 2x semi-rigid cable

CIRCULATORS/ISOLATORS 1 TO 2 GHz



CIRCULATORS/ISOLATORS 1 TO 2 GHZ

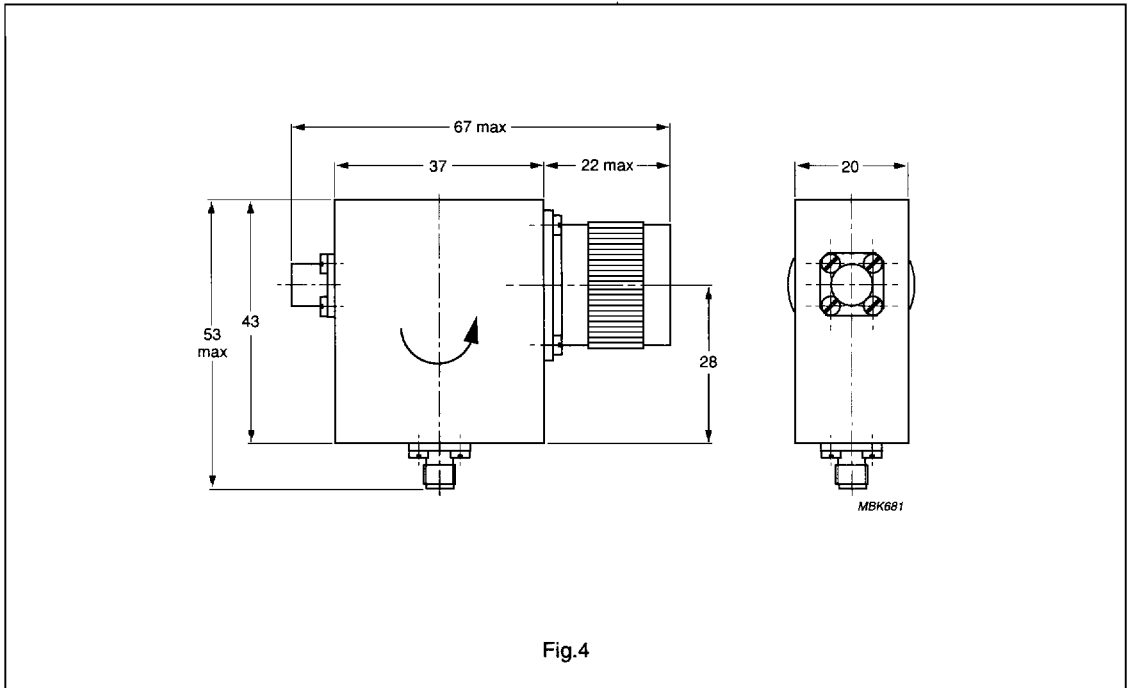


Fig.4

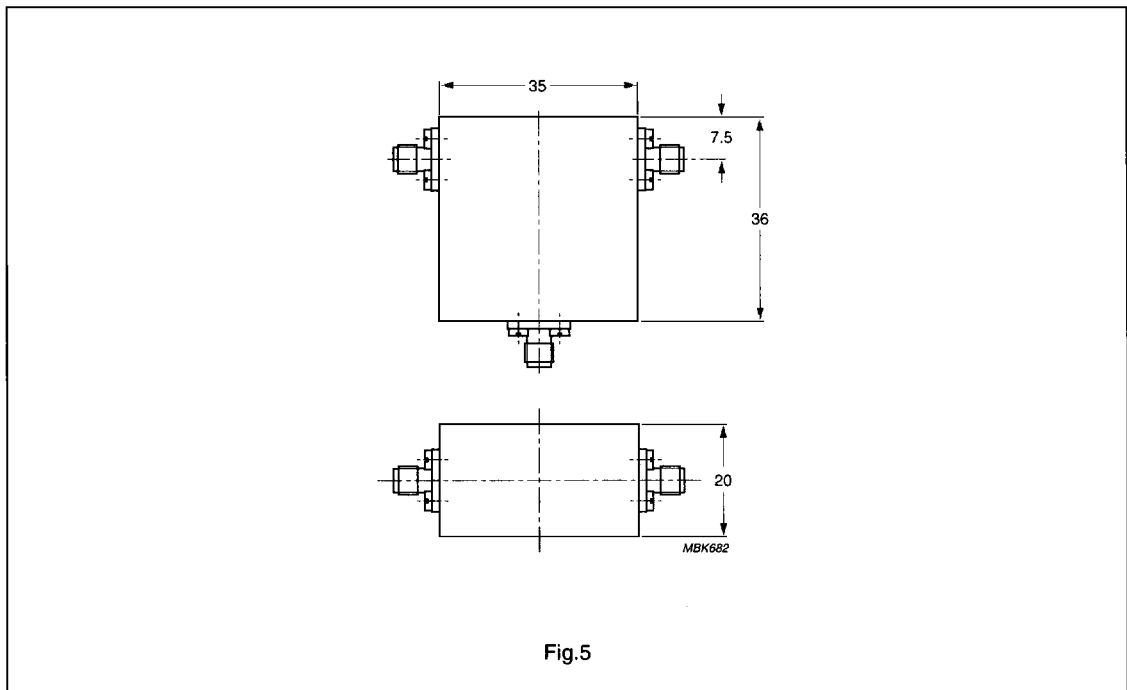


Fig.5

CIRCULATORS/ISOLATORS 1 TO 2 GHz

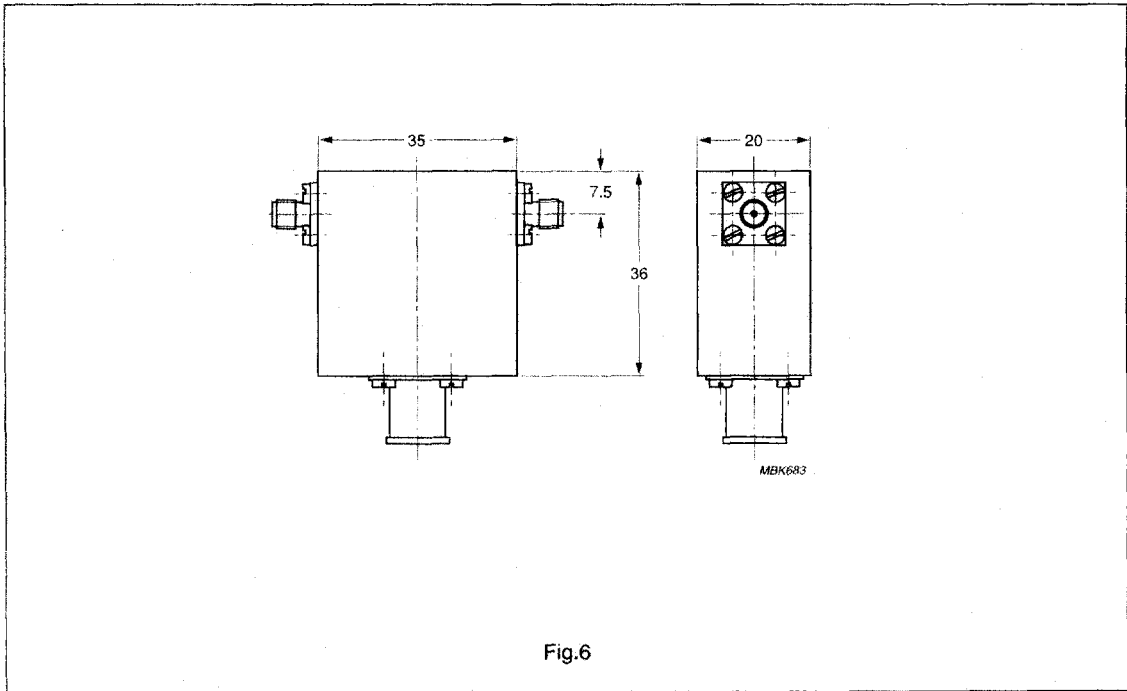


Fig.6

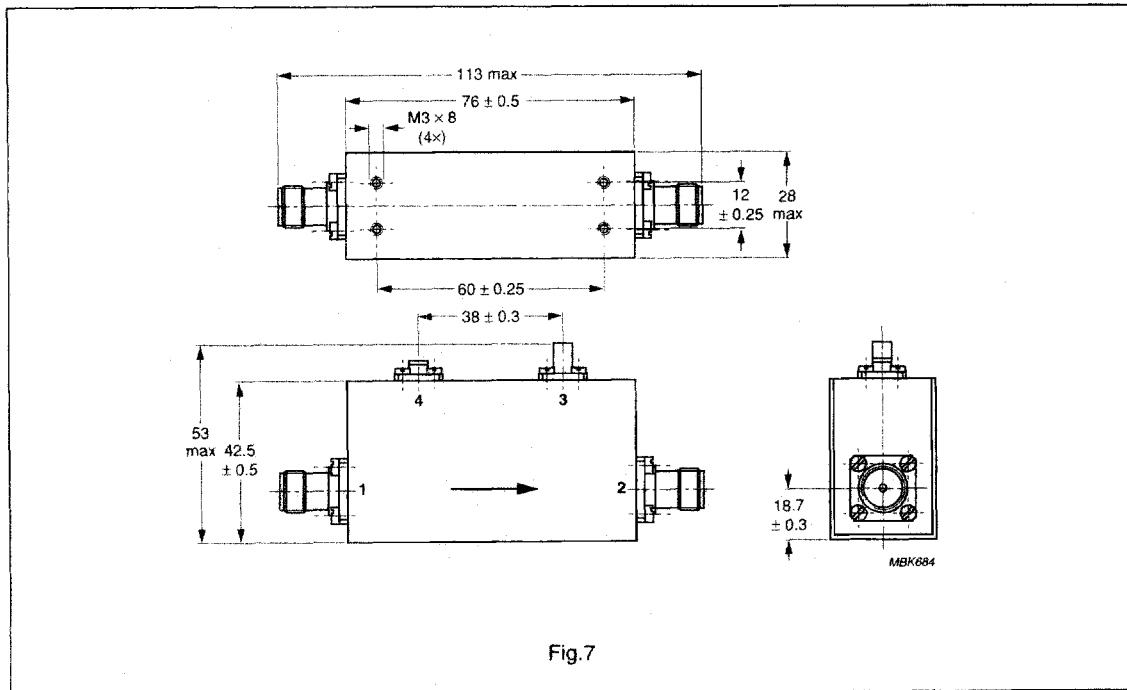


Fig.7

CIRCULATORS/ISOLATORS 1 TO 2 GHz

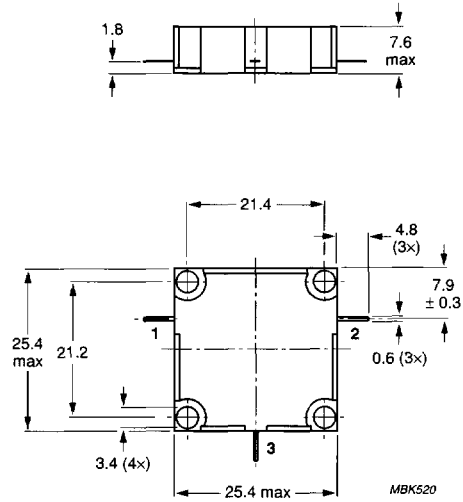


Fig.8

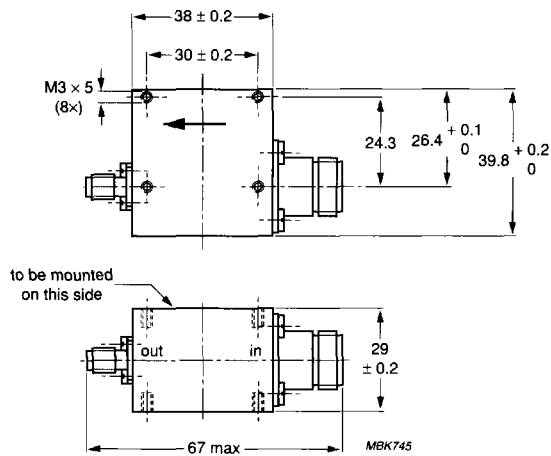


Fig.9

CIRCULATORS/ISOLATORS 1 TO 2 GHz

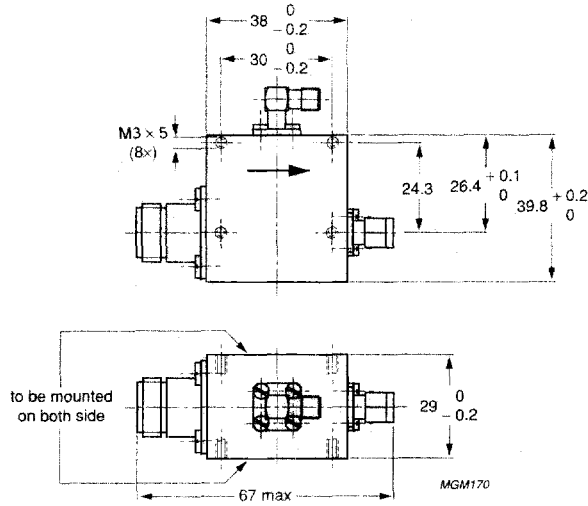


Fig.10

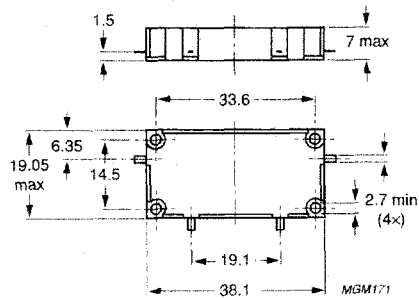


Fig.11

CIRCULATORS/ISOLATORS

1 TO 2 GHz

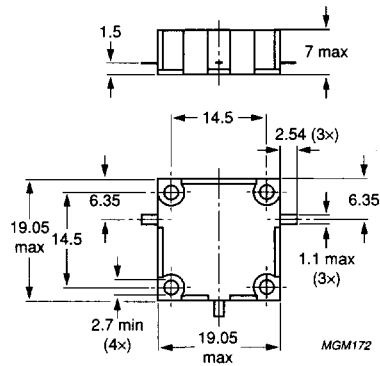


Fig.12

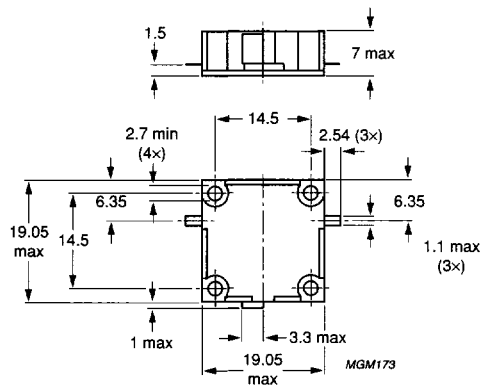


Fig.13