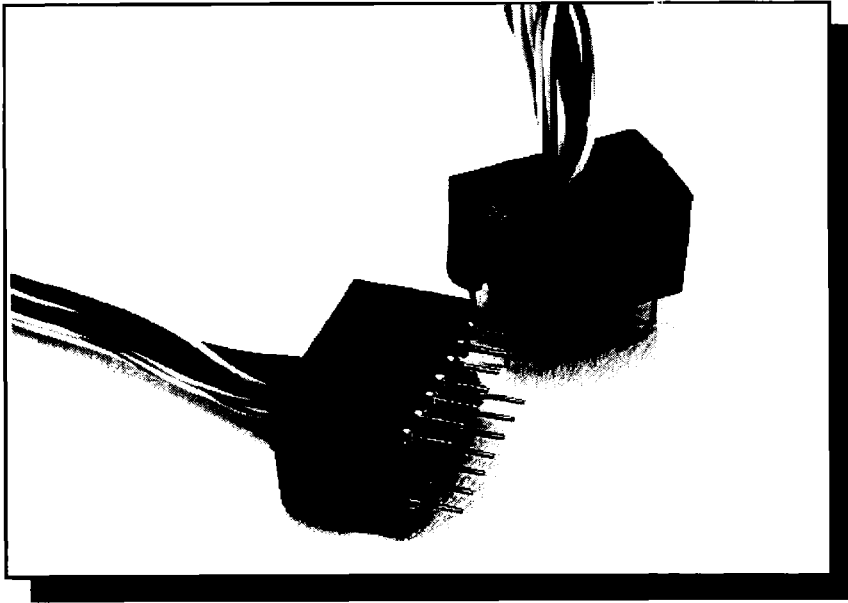


Inter-Facing Plug Assemblies 1P Series



Used in applications where crimp or solder contacts are preferred, these military style plugs offer the convenience of DIP socket compatibility with the higher electrical performance of 26 AWG Teflon insulated wire.

Features

- Available in 14 and 16 pin DIP compatible configurations
- Available as single or double ended assemblies
- Option of two pin diameters, .018 and .023
- Strain relief cover provides top or side entry strain relief
- Plug wires are color coded for easy identification
- 26 AWG Teflon gives increased power handling capability over typical IDC configuration

Materials

- Insulator: Thermoplastic polyester, UL rated 94V-0
- Pins: Phosphor bronze, gold-overnickel-plated
- Screws: Stainless steel
- Wire: #26 AWG stranded tin-plated copper, Teflon insulation

Part Number For Complete Assemblies

1 P X X — X X X — X					
Series	# of Contacts	Contact Type	Wire Entry	Cable Length inches	Options
	14	3-.018 Crimp	T-Top	12	1-Single Ended
	16	4-.023 Crimp	B-Bottom	14	2-Double Ended
			L-Left Side	16	
			R-Right Side		

Part Number For Component Parts

1 P X X — X		
Series	# of Contacts	Style (Contact Part #)
	14	1-.018 Solder Pocket (8136-32P2)
	16	2-.023 Solder Pocket (8136-32P4)
		3-.018 Crimp Contact (8136-32P6)
		4-.023 Crimp Contact (8136-32P8)

Note: When hand crimping, use Augat TCT8136-1 tool and locator TCT8136-2.

Part Numbers — 14 Pin Assemblies

Plug Only Number	Assembly Part Number	No. Of Pins	Wire Length	Double Or Single End	A
1P14-3 (crimp)	1P14-3T12-1	14	12"	Single Ended	19.05 .750
	1P14-3T24-1		24"		
	1P14-3T36-1		36"		
1P14-1 (solder pocket)	1P14-3T12-2	0.46	12"	Double Ended	
	1P14-3T24-2	.018	24"		
	1P14-3T36-2	Dia.	36"		
1P14-4 (crimp)	1P14-4T12-1	14	12"	Single Ended	
	1P14-4T24-1		24"		
	1P14-4T36-1		36"		
1P14-2 (solder pocket)	1P14-4T12-2	0.58	12"	Double Ended	
	1P14-4T24-2	.023	24"		
	1P14-4T36-2	Dia.	36"		

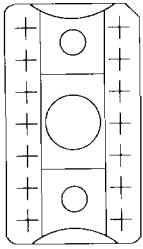
Part Numbers — 16 Pin Assemblies

Plug Only Number	Assembly Part Number	No. Of Pins	Wire Length	Double Or Single End	A
1P16-3 (crimp)	1P16-3T12-1	16	12"	Single Ended	21.59 .850
	1P16-3T24-1		24"		
	1P16-3T36-1		36"		
1P16-1 (solder pocket)	1P16-3T12-2	0.46	12"	Double Ended	
	1P16-3T24-2	.018	24"		
	1P16-3T36-2	Dia.	36"		
1P16-4 (crimp)	1P16-4T12-1	16	12"	Single Ended	
	1P16-4T24-1		24"		
	1P16-4T36-1		36"		
1P16-2 (solder pocket)	1P16-4T12-2	0.58	12"	Double Ended	
	1P16-4T24-2	.023	24"		
	1P16-4T36-2	Dia.	36"		

Color Code Wiring Diagram

14 Pin Assemblies

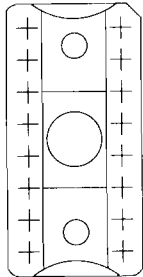
Right Side	Left Side
White/Brown Stripe 14	1 Black
White/Yellow Stripe 13	2 Red
White/Orange Stripe 12	3 Blue
White/Green Stripe 11	4 Green
White/Blue Stripe 10	5 Orange
White/Red Stripe 9	6 Yellow
White/Black Stripe 8	7 Brown



PIN SIDE SHOWN

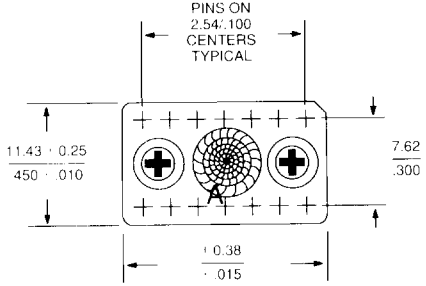
16 Pin Assemblies

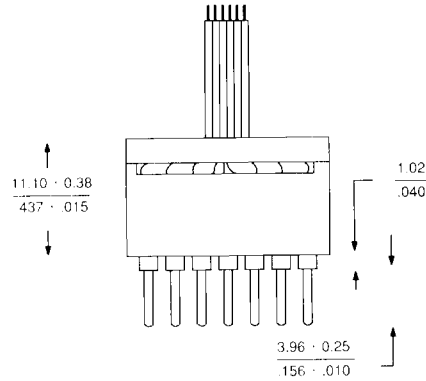
Right Side	Left Side
White/Purple Stripe 16	1 Black
White/Brown Stripe 15	2 Red
White/Yellow Stripe 14	3 Blue
White/Orange Stripe 13	4 Green
White/Green Stripe 12	5 Orange
White/Blue Stripe 11	6 Yellow
White/Red Stripe 10	7 Brown
White/Black Stripe 9	8 Purple



PIN SIDE SHOWN

Dimensions





Millimeter
Inch